



INSTALLATION INSTRUCTIONS FOR PART 99-7868

APPLICATIONS

Acura CL 2001-03

Acura TL 1999-03

99-7868

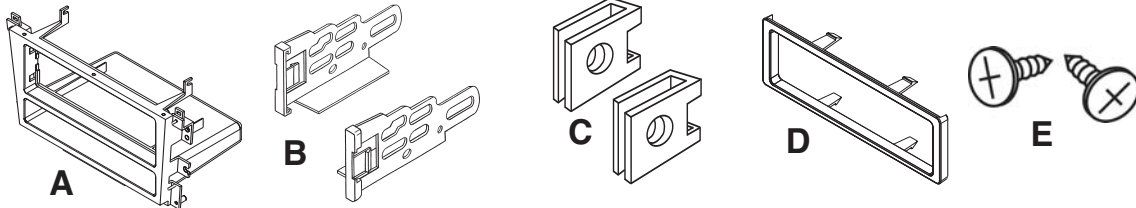


KIT FEATURES

- DIN Head Unit Provisions with Pocket
- ISO DIN Head Unit Provisions with Pocket

KIT COMPONENTS

A) Radio Housing • B) ISO Brackets • C) Speed Clips • D) Trim Plate • E) (2) Phillips screws



WIRING AND ANTENNA CONNECTIONS (Sold Separately)

Harness:

- 70-1721 - Honda/Acura harness 1998-up

Antenna Adapter:

- Not required

TOOLS REQUIRED:

Flat Blade Screwdriver • Phillips Screwdriver



1-800-221-0932



www.metraonline.com

© COPYRIGHT 2004-2009 METRA ELECTRONICS CORPORATION



99-7868

TABLE OF CONTENTS

Dash Disassembly **1-2**

Kit Assembly

- **DIN Head Unit Provision** **3**
- **ISO DIN Head Unit Provision** **4**

Final Assembly **5**

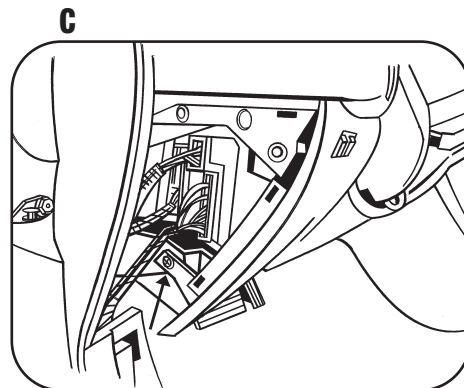
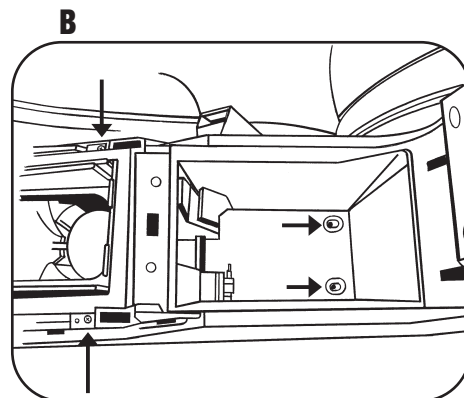
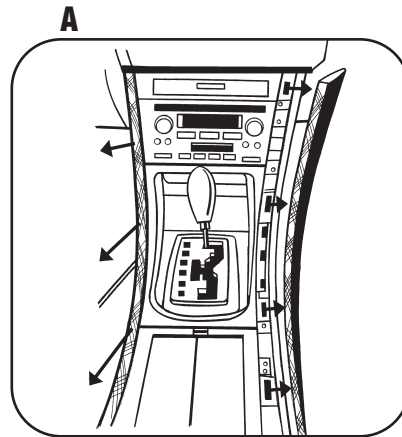


KNOWLEDGE IS POWER

Enhance your installation and fabrication skills by enrolling in the most recognized and respected mobile electronics school in our industry. Log onto www.installerinstitute.com or call 800-354-6782 for more information and take steps toward a better tomorrow.

ACURA CL / TL

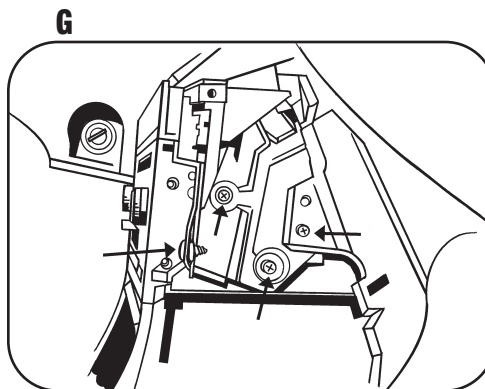
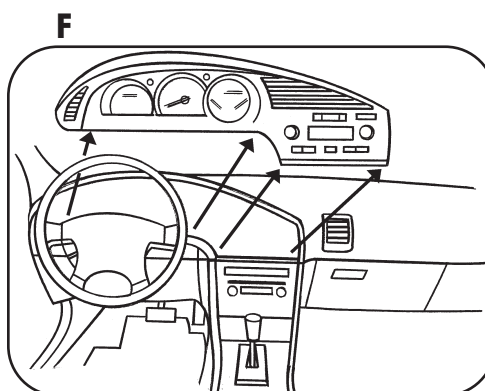
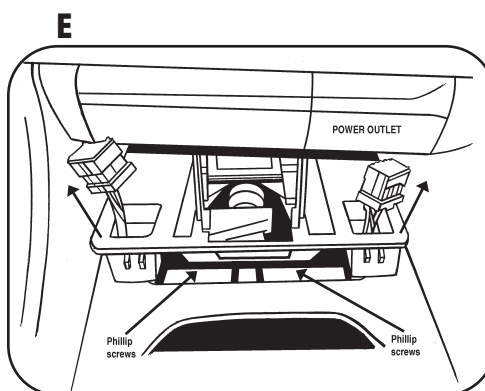
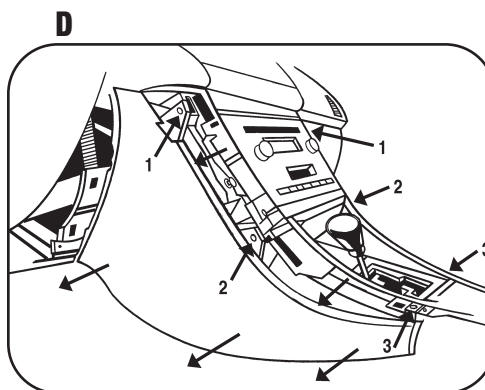
- 1 Disconnect the negative battery terminal to prevent an accidental short circuit.
- 2 Unclip and remove wood trim from both sides of center console. (Figure A)
- 3 Open armrest and remove (2) phillips screws inside and (2) phillips screws at front edge of rear console and pull rearward. (Figure B)
- 4 Open fuse access and remove (1) phillips screw, then unclip and remove panel below steering column. (Figure C)



DASH DISASSEMBLY

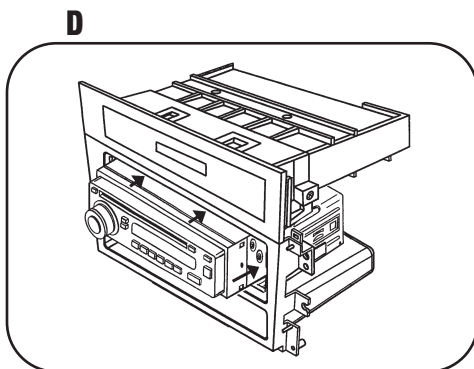
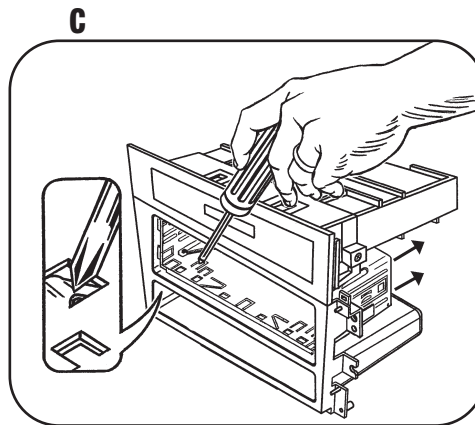
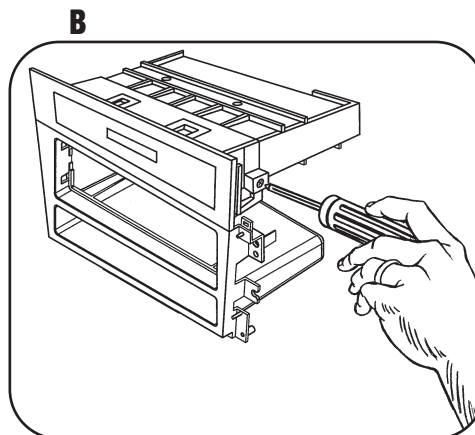
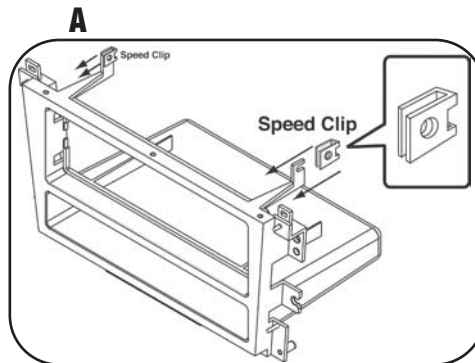
ACURA CL / TL

- 5 Remove (3) phillips screws per center console side panel and remove panels (on driver's and passenger side). (Figure D)
- 6 Unclip and remove seat heater switch trim panel to access and remove (2) phillips screws (Figure E)
- 7 Unclip bottom of A/C control trim panel and pull away (no need to completely remove). (Figure F)
- 8 Remove (3) phillips screws and (1) push pin per side of radio to remove radio. (Figure G)
- 9 Remove (2) phillips screws from storage pocket assembly above radio to separate. (The storage pocket assembly will have to be attached to the radio housing).



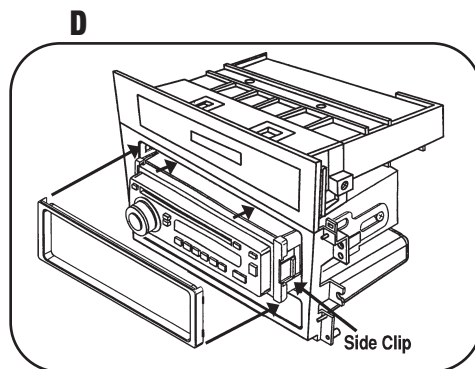
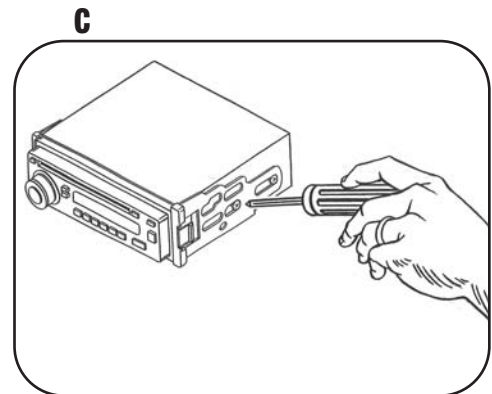
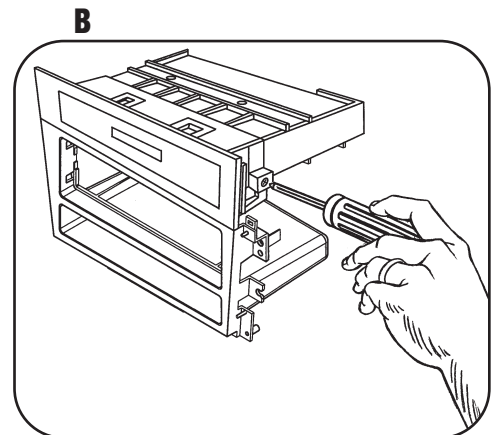
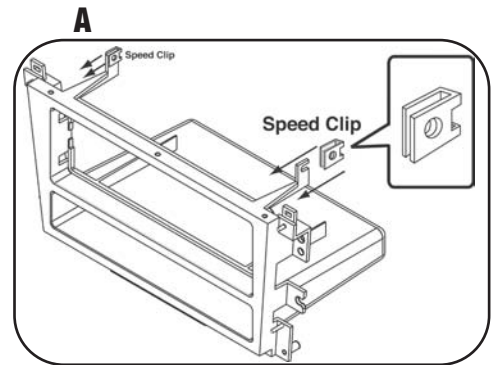
DIN HEAD UNIT PROVISIONS

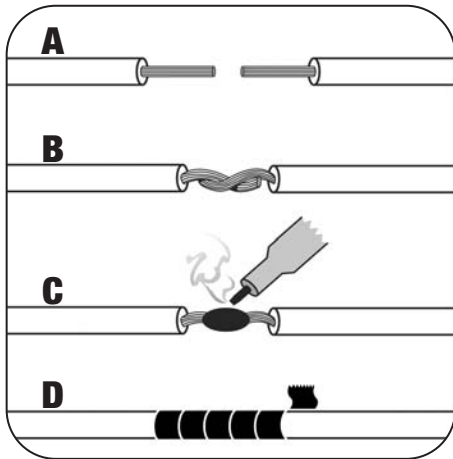
- 1** Position speed clips provided with the kit onto the top (2) legs on the radio housing. (Figure A)
- 2** Align holes in top of radio housing with the guide pins on the bottom of the storage pocket assembly and secure the pocket assembly to the legs holding the speed clips with the (2) screws provided. (Figure B)
- 3** Slide the DIN cage into the Radio Housing and secure by bending the metal locking tabs down. (Figure C)
- 4** Slide the aftermarket head unit into the cage and secure. Snap the trim plate into the housing. (Figure D)



ISO DIN HEAD UNIT PROVISIONS

- 1 Position speed clips provided with the kit onto the top (2) legs on the radio housing. (Figure A)
- 2 Align holes in top of radio housing with the guide pins on the bottom of the storage pocket assembly and secure the pocket assembly to the legs holding the speed clips with the (2) screws provided. (Figure B)
- 3 Mount the ISO brackets to the head unit with the screws supplies with the unit. (Figure C)
- 4 Slide the head unit into the radio opening until the side clips engage. Snap the trim plate into the housing. (Figure D)





- A) *Strip wire ends back 1/2"***
- B) *Twist ends together***
- C) *Solder***
- D) *Tape***

FINAL ASSEMBLY

- 1** Locate the factory wiring harness in the dash. Metra recommends using the proper mating adapter and making the connections as shown. (Isolate and individually tape off the ends of any unused wires to prevent electrical short circuit)

- 2** Re-connect the negative battery terminal and test the unit for proper operation.

- 3** Reassemble radio and dash assemblies in reverse order of disassembly.

INST997868

 **1-800-221-0932**  **www.metraonline.com**

© COPYRIGHT 2004-2009 METRA ELECTRONICS CORPORATION REV. 06-26-09