



Toyota Highlander (without NAV) 2001-2007 / Sequoia 2003-2007 / Tundra 2003-2006

KIT FEATURES

- ISO DIN radio provision with pocket
- ISO DDIN radio provision

KIT COMPONENTS

- A) Radio trim panel • B) Radio brackets • C) Pocket • D) (4) #8 x 3/8" Phillips pan-head screws • E) (4) #8 x 3/8" Phillips truss-head screws

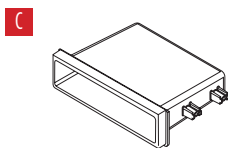
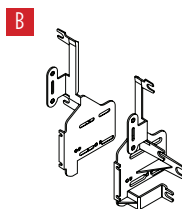
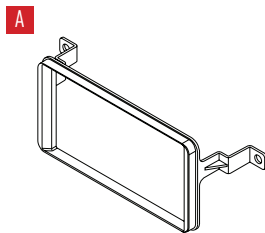


TABLE OF CONTENTS

Dash Disassembly	2-3
Kit Preparation	4
Kit Assembly	
–ISO DIN radio provision with pocket	5
–ISO DDIN radio provision.....	6

WIRING & ANTENNA CONNECTIONS

- Wiring Harness: Please visit metraonline.com for wiring harness options
- Antenna Adapter: Not required
- Steering wheel control interface: ASWC-1 & 70-8114 (sold separately)

TOOLS REQUIRED

- Panel removal tool • Phillips screwdriver
- 10mm socket wrench

CAUTION! All accessories, switches, climate controls panels, and especially air bag indicator lights must be connected before cycling the ignition. Also, do not remove the factory radio with the key in the on position, or while the vehicle is running.

DASH DISASSEMBLY

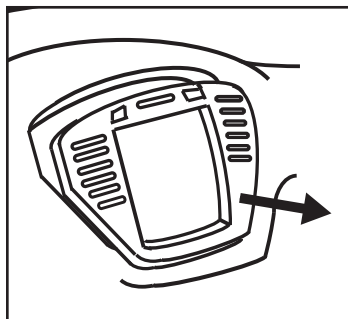
Highlander

1. Unclip and remove the dash panel surrounding the radio and climate controls. (Figure A)

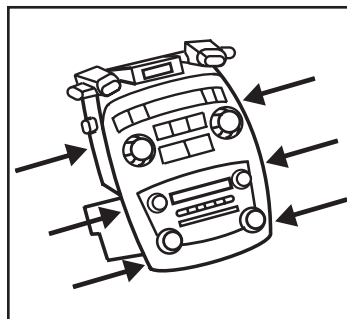
Tip: There are (8) clips.

2. Remove (6) 10mm screws securing the radio and climate control assembly, then unplug and remove the assembly. (Figure B)
3. Halfway loosen (4) 10mm screws securing the radio. Remove (4) Phillips screws securing the climate controls, then remove the climate controls. (Figure C)

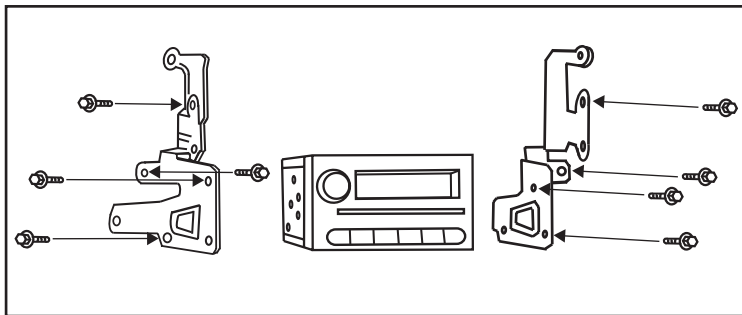
Continue to Kit Preparation



(Figure A)



(Figure B)



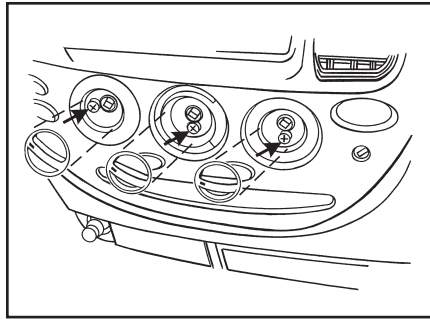
(Figure C)

DASH DISASSEMBLY (CONT.)

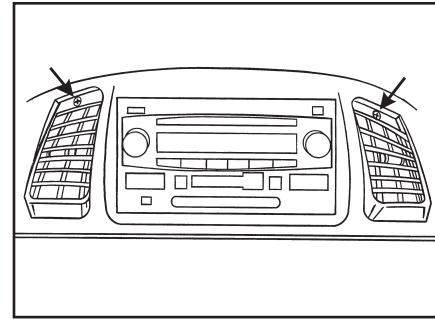
Sequoia/Tundra

- 1. Tundra Only:** Remove the (3) climate control knobs by pulling straight outward, then remove (3) Phillips screws exposed. (Figure A)
- 2.** Position the a/c vents upward, then remove (1) Phillips screw inside each vent cavity. (Figure B)
- 3.** Unclip and remove the radio trim panel including the climate controls. (Figure C)
- 4.** Remove (4) 10mm bolts securing the radio. Slide the radio out, then unplug and remove the radio. (Figure D)

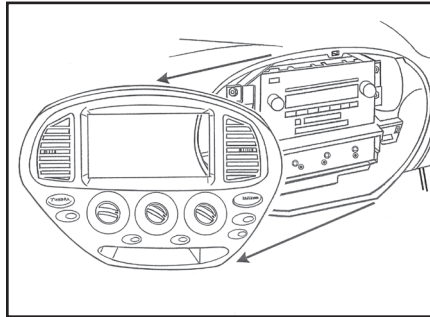
Continue to Kit Preparation



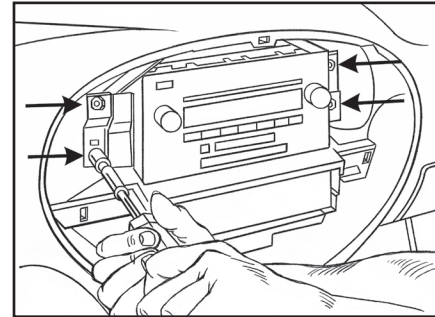
(Figure A)



(Figure B)



(Figure C)



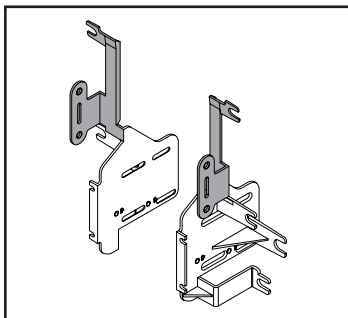
(Figure D)

KIT PREPARATION

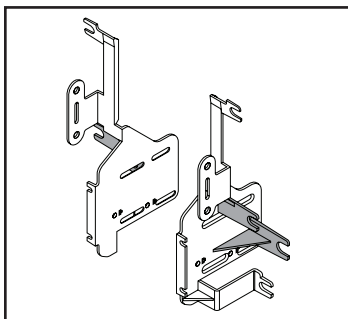
1. For the Sequoia and Tundra:

- a. Cut the upper shaded portion off the *radio brackets* as shown. (Figure A)
- b. Cut the (2) shaded tabs off the *radio brackets* as shown. (Figure B)

Continue to Kit Assembly



(Figure A)

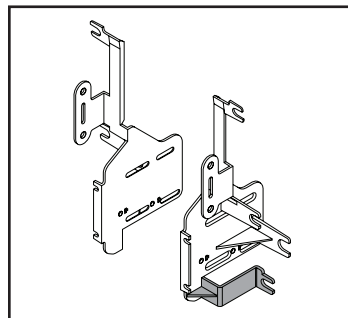


(Figure B)

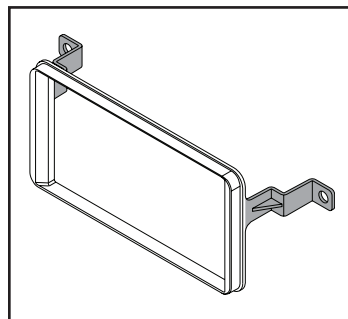
2. For the Highlander:

- a. Cut the bottom shaded tabs off the *radio brackets* as shown. (Figure C)
- b. Cut the shaded tabs off the *radio trim panel* as shown. (Figure D)

Continue to Kit Assembly



(Figure C)

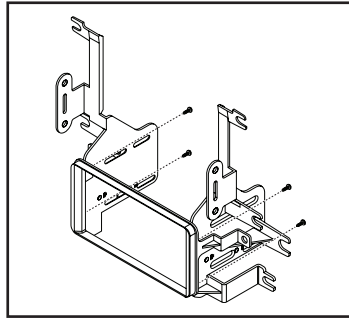


(Figure D)

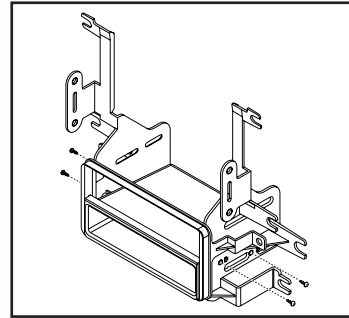
KIT ASSEMBLY

ISO DIN radio provision with pocket

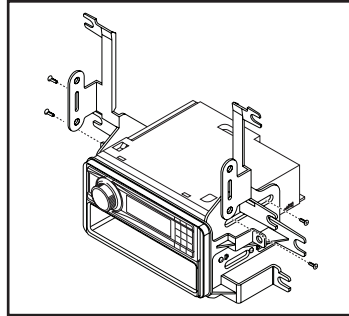
1. Secure the *radio brackets* to the *radio trim panel* using the (4) #8 x 3/8" Phillips pan-head screws provided. (Figure A)
2. Slide the *pocket* into the bracket/panel assembly, then secure it to the assembly using the (4) #8 x 3/8" Phillips truss-head screws provided. (Figure B)
3. Remove the metal DIN sleeve and trim ring from the aftermarket radio.
4. Slide the radio into the bracket/panel/pocket assembly, then secure it to the assembly using the screws supplied with the radio. (Figure C)
5. **For the Highlander:** Secure the factory climate controls to the radio assembly using the factory screws.
6. Locate the factory wiring harness and antenna connector in the dash and complete all necessary connections to the radio and climate controls. Metra recommends using the proper mating adapter from Metra and/or Axxess.
7. Test the radio for proper operation.
8. Secure the radio assembly to the dash using the factory screws.
9. Reassemble the dash in reverse order of disassembly to complete the installation.



(Figure A)



(Figure B)

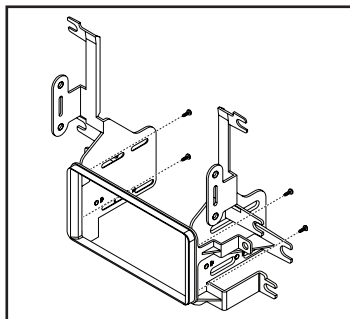


(Figure C)

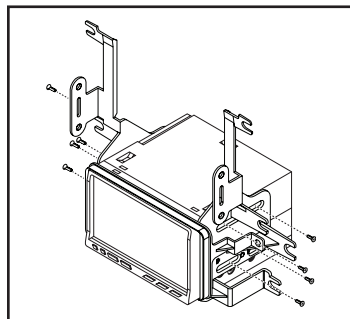
KIT ASSEMBLY (CONT.)

ISO DDIN radio provision

1. Secure the *radio brackets* to the *radio trim panel* using the (4) #8 x 3/8" Phillips pan-head screws provided. (Figure A)
2. Slide the radio into the bracket/panel assembly, then secure it to the assembly using the screws supplied with the radio. (Figure B)
3. **For the Highlander:** Secure the factory climate controls to the radio assembly using the factory screws.
4. Locate the factory wiring harness and antenna connector in the dash and complete all necessary connections to the radio and climate controls. Metra recommends using the proper mating adapter from Metra and/or Axxess.
5. Test the radio for proper operation.
6. Secure the radio assembly to the dash using the factory screws.
7. Reassemble the dash in reverse order of disassembly to complete the installation.



(Figure A)



(Figure B)



99-8268
INSTALLATION INSTRUCTIONS



IMPORTANT

If you are having difficulties with the installation of this product, please call our Tech Support line at 1-800-253-TECH. Before doing so, look over the instructions a second time, and make sure the installation was performed exactly as the instructions are stated. Please have the vehicle apart and ready to perform troubleshooting steps before calling.



KNOWLEDGE IS POWER

Enhance your installation and fabrication skills by enrolling in the most recognized and respected mobile electronics school in our industry. Log onto www.installerinstitute.com or call 800-354-6782 for more information and take steps toward a better tomorrow.



**Metra recommends MECP
certified technicians**