



Mercedes-Benz CLK-Class 2005-2009

KIT FEATURES

- ISO DIN radio provision with pocket
- ISO DDIN radio provision
- Painted matte black

KIT COMPONENTS

- A) Radio trim panel • B) Radio brackets • C) Pocket • D) (8) #8 x 3/8" Phillips screws

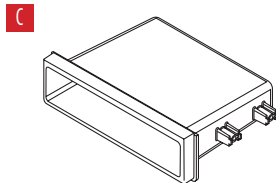
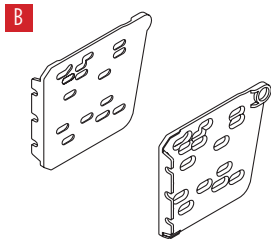
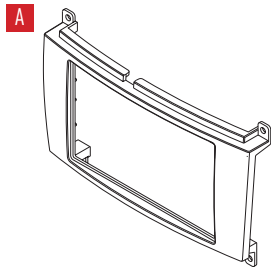


TABLE OF CONTENTS

Dash Disassembly.....	2
Kit Assembly	
–ISO DIN radio provision with pocket.....	3
–ISO DDIN radio provision.....	3

WIRING & ANTENNA CONNECTIONS (sold separately)

- Wiring Harness: XSVI-9005-NAV
- Antenna Adapter: 40-EU10
- Steering Wheel Control Interface: ASWC-1

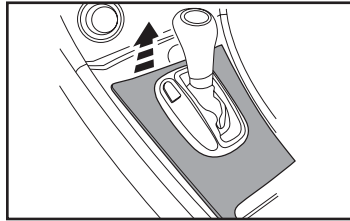
TOOLS REQUIRED

- Panel removal tool • Phillips screwdriver
- Socket wrench • T-20 Torx screwdriver

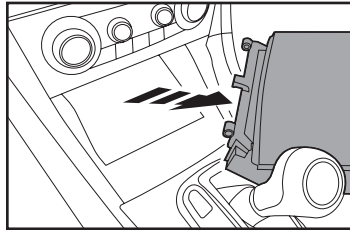
CAUTION! All accessories, switches, climate controls panels, and especially air bag indicator lights must be connected before cycling the ignition. Also, do not remove the factory radio with the key in the on position, or while the vehicle is running.

DASH DISASSEMBLY

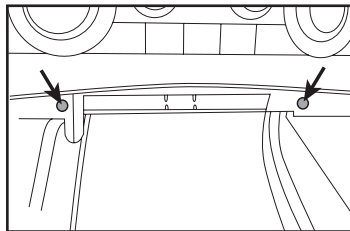
1. Unclip the shifter trim panel, then unclip the shifter boot from the panel. Slide the shifter boot through the panel, then unplug and remove the panel. (Figure A)
2. Unclip the ashtray and set to the side. (Figure B)
3. Remove (2) T-20 Torx screws securing the bottom of the climate control panel, then unplug and remove the panel. (Figure C)



(Figure A)



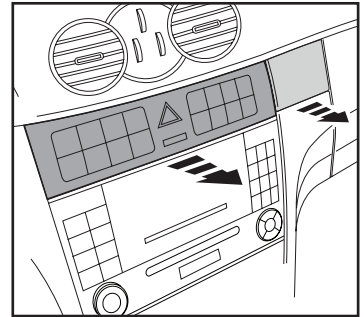
(Figure B)



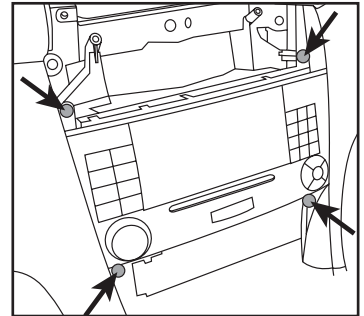
(Figure C)

4. Open the cup-holder, then unclip, unplug, and remove the hazard button panel. (Figure D)
5. Remove (4) T-20 Torx screws securing the radio, then unplug and remove the radio. (Figure E)

Continue to Kit Assembly



(Figure D)

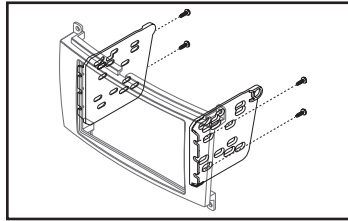


(Figure E)

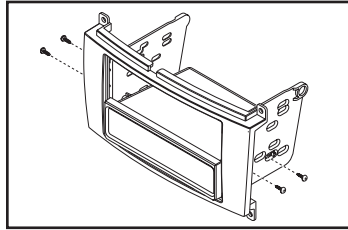
KIT ASSEMBLY

ISO DIN radio provision with pocket

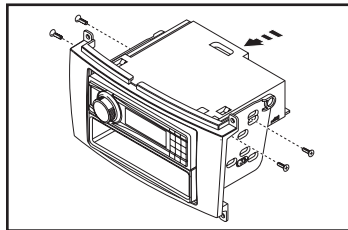
1. Attach the *radio brackets* to the *radio trim panel* using (4) #8 x 3/8" Phillips screws supplied. (Figure A)
2. Attach the *pocket* to the bracket assembly using the (4) #8 x 3/8" Phillips screws. (Figure B)
3. Remove the metal DIN sleeve and trim ring from the aftermarket radio.
4. Slide the radio into the completed assembly, and then secure it using screws supplied with the radio. (Figure C)
5. Locate the factory wiring harness and antenna connector in the dash, and complete all necessary connections to the radio. Metra recommends using the proper mating adapter from Metra and/or AXCESS. Test the radio for proper operation.
6. Reassemble the dash in reverse order of disassembly.



(Figure A)



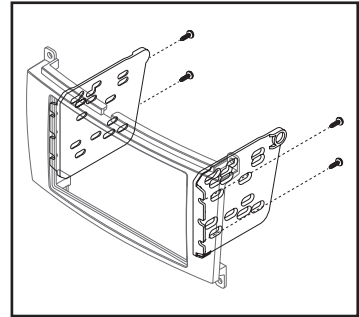
(Figure B)



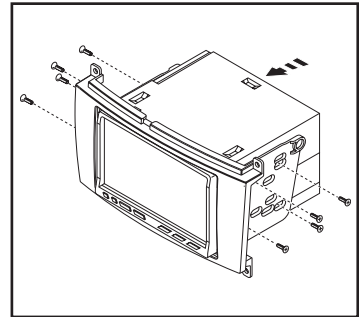
(Figure C)

ISO DDIN radio provision

1. Attach the *radio brackets* to the *radio trim panel* using (4) #8 x 3/8" Phillips screws supplied. (Figure A)
2. Slide the radio into the completed assembly, and then secure it using screws supplied with the radio. (Figure B)
3. Locate the factory wiring harness and antenna connector in the dash, and complete all necessary connections to the radio. Metra recommends using the proper mating adapter from Metra and/or AXCESS. Test the radio for proper operation.
4. Reassemble the dash in reverse order of disassembly.



(Figure A)



(Figure B)



99-8724B
INSTALLATION INSTRUCTIONS



IMPORTANT

If you are having difficulties with the installation of this product, please call our Tech Support line at 1-800-253-TECH. Before doing so, look over the instructions a second time, and make sure the installation was performed exactly as the instructions are stated. Please have the vehicle apart and ready to perform troubleshooting steps before calling.



KNOWLEDGE IS POWER

Enhance your installation and fabrication skills by enrolling in the most recognized and respected mobile electronics school in our industry. Log onto www.installerinstitute.com or call 800-354-6782 for more information and take steps toward a better tomorrow.



Metra recommends MECP certified technicians