



Polaris Slingshot 2015-2017

Visit MetraOnline.com for more detailed information about the product and up-to-date vehicle specific applications

KIT FEATURES

- ISO DIN radio provision with pocket
- ISO DDIN radio provision
- Textured panel
- Integrated tinted splash guard

KIT COMPONENTS

- A) Radio trim panel • B) Sub-bracket • C) Splash guard • D) Radio brackets • E) Pocket • F) (8) #8 x 3/8" Phillips screws
- G) (1) #6 x 1/2" Phillips screw • H) Felt tape (not shown)

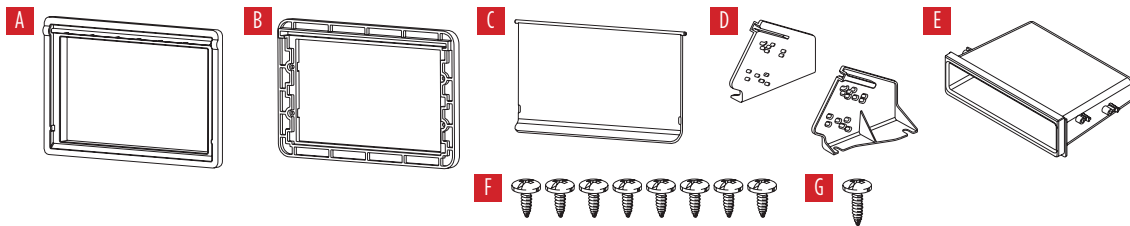


TABLE OF CONTENTS

Dash Disassembly	2-3
Kit Preparation	4-5
Kit Assembly	6-7

WIRING & ANTENNA CONNECTIONS (sold separately)

Wire harness: • 70-9701

Antenna Adapter: • Not required

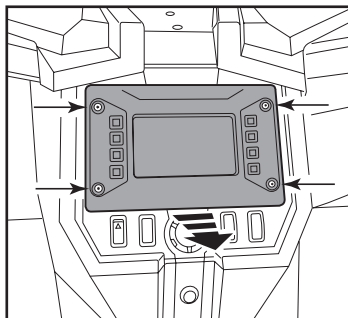
TOOLS REQUIRED

- Panel removal tool • 13mm Socket wrench
- T-10, T-25 and T-40 Torx drivers • Pick tool or small flat blade screwdriver (to remove push pins)

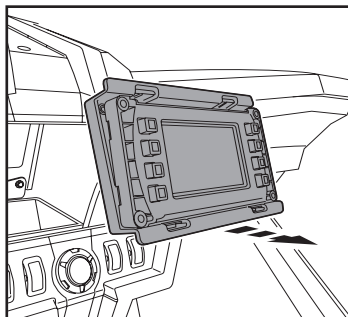
Attention! With the key out of the ignition, disconnect the negative battery terminal before installing this product. Ensure that all installation connections are secure before cycling the ignition to test this product.

DASH DISASSEMBLY

1. Remove (4) T-10 screws from the radio trim, then remove and set aside. (Figure A)
2. Unclip, then unplug and remove the radio controller. (Figure B)
3. Remove (3) T-25 screws from the windshield, then remove and set aside.



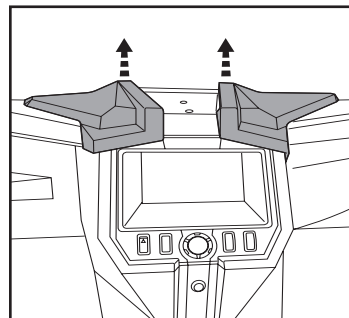
(Figure A)



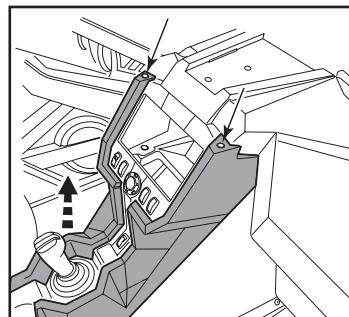
(Figure B)

4. Unclip the (2) painted panels at the top of the radio opening. (Figure C)
5. Remove (2) push pins at the top of the dash/console side trims, then unclip and remove the trims. **Tip:** Lift up on the panel starting from the rear, between the seats. (Figure D)

Continued on the next page



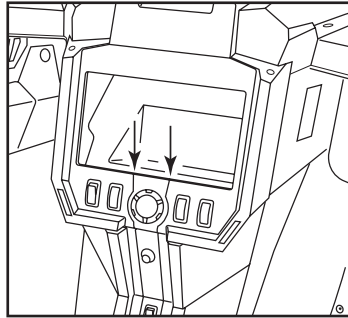
(Figure C)



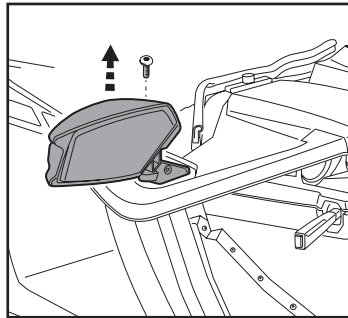
(Figure D)

DASH DISASSEMBLY (CONT.)

- Remove (2) push pins inside the radio cavity behind the start/stop button. (Figure E)
- Remove the 13mm bolt holding each mirror to its base, then set the mirrors aside. **Note:** The bases do not need to be removed, but can be if so desired. (Figure F)



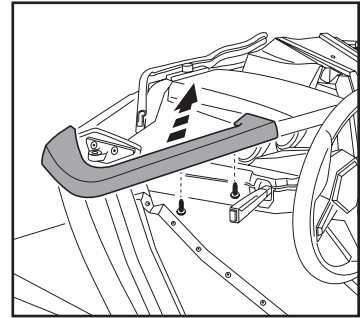
(Figure E)



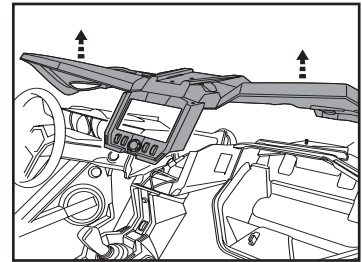
(Figure F)

- Remove (2) T-25 screws from underneath each of the (2) painted dash side trims from under the front side of each trim, then unclip and remove. (Figure G)
- Remove (8) T-40 screws holding the top dash panel, then if the mirror bases were not removed in step 7, pull each side over the mirror base (1 side at a time). (Figure H)
- Lift the dash trim and unplug the buttons and switches by the radio opening. (Figure H)
- The dash panel is now free, lift up to remove and set aside. (Figure H)

Continue to Kit Preparation



(Figure G)

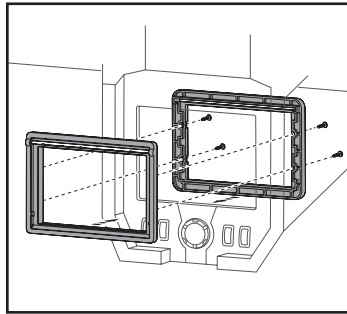


(Figure H)

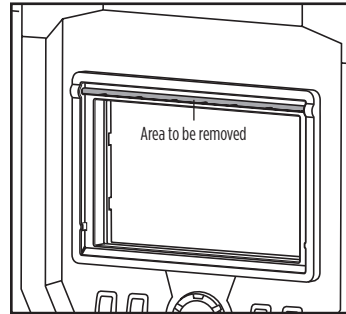
KIT PREPARATION

The factory dash panel will need to be cut to allow room for the splash guard.

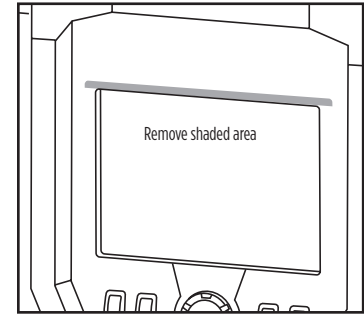
1. Secure the *radio trim panel* and the *sub-bracket* together over the radio opening of the dash panel using the (4) #8 x 3/8" Phillips screws provided. (Figure A)
2. Using the kit as a template, mark the area where the *splash guard* will slide into the kit. (Figure B)
3. Remove the radio trim panel and sub-bracket, then cut the dash panel for clearance. (Figure C)



(Figure A)



(Figure B)



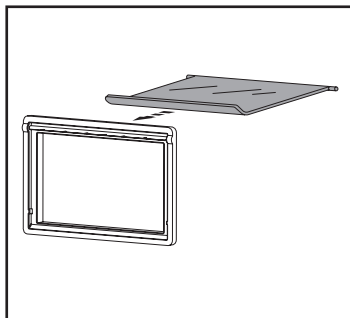
(Figure C)

Continued on the next page

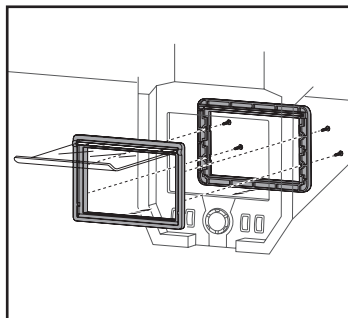
KIT PREPARATION

4. Slide the *splash guard* in from the back of the *radio trim panel* (be careful not to let it flop around and get scratched). (Figure A)
5. Attach the *radio trim panel* and *sub-bracket* to the factory dash. (Figure B)
6. Attach the felt tape to the splash guard channel in the *radio brackets* as shown. (Figure C)

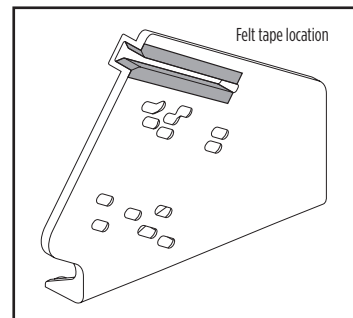
Continue to Kit Assembly



(Figure A)



(Figure B)

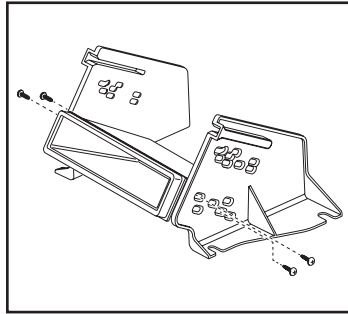


(Figure C)

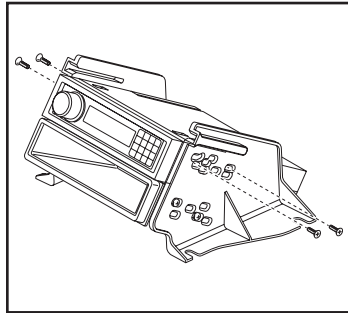
KIT ASSEMBLY

ISO DIN radio provision with pocket

1. Attach the *pocket* to the *radio brackets* using the (4) #8 x 3/8" *Phillips screws* supplied. (Figure A)
2. Remove the metal DIN sleeve and trim ring from the aftermarket radio.
3. Slide the radio into the radio bracket assembly and secure with screws supplied with the radio. (Figure B)
4. Locate the factory wiring harness and antenna connector in the dash and complete all necessary connections to the radio. Metra recommends using the proper mating adapter from Metra. Test the radio for proper operation.

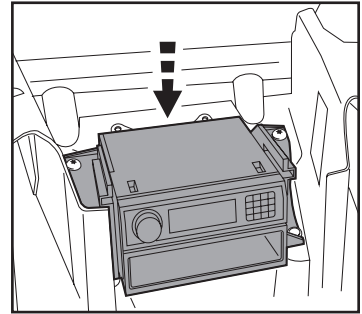


(Figure A)

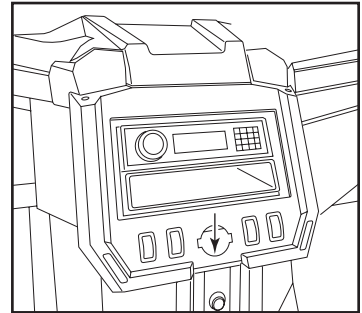


(Figure B)

5. Secure the completed assembly into the dash using the factory hardware. (Figure C)
6. Unclip and remove the start button from the factory dash panel, and while holding the panel in place over the radio, secure the panel using the (1) #6 x 1/2" Phillips screw supplied. (Figure D)
7. Clip the start button back to the factory dash panel.
8. Reassemble the dash in reverse order of disassembly.



(Figure C)

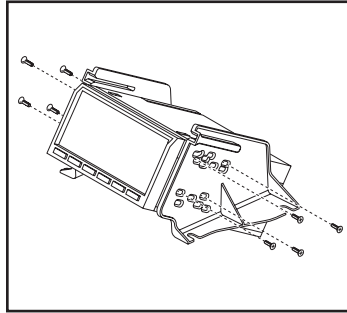


(Figure D)

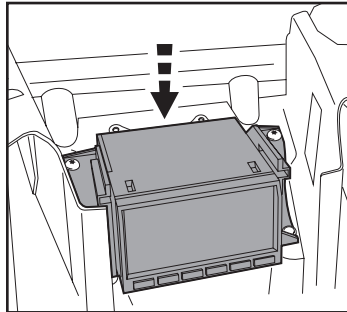
KIT ASSEMBLY

ISO DDIN radio provision

1. Attach the *radio brackets* to the radio using the screws supplied with the radio. (Figure A)
2. Locate the factory wiring harness and antenna connector in the dash and complete all necessary connections to the radio. Metra recommends using the proper mating adapter from Metra. Test the radio for proper operation.
3. Secure the completed assembly into the dash using the factory hardware. (Figure B)

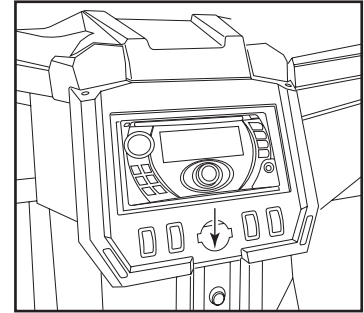


(Figure A)



(Figure B)

4. Unclip and remove the start button from the factory dash panel, and while holding the panel in place over the radio, secure the panel using the (1) #6 x 1/2" Phillips screw supplied. (Figure C)
5. Clip the start button back to the factory dash panel.
6. Reassemble the dash in reverse order of disassembly.



(Figure C)



99-9721
INSTALLATION INSTRUCTIONS



Having difficulties? We're here to help.



Contact our Tech Support line at:

386-257-1187



Or via email at:

techsupport@metra-autosound.com

Tech Support Hours (Eastern Standard Time)

Monday - Friday: 9:00 AM - 7:00 PM

Saturday: 10:00 AM - 7:00 PM

Sunday: 10:00 AM - 4:00 PM



KNOWLEDGE IS POWER

Enhance your installation and fabrication skills by enrolling in the most recognized and respected mobile electronics school in our industry. Log onto www.installerinstitute.edu or call 386-672-5771 for more information and take steps toward a better tomorrow.



Metra recommends MECP certified technicians