

# QUADRO

made in  
**HOLLAND**

**INTER  
NOVA**  
PROFESSIONAL LIGHTING



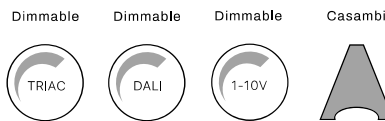
<b>Housing</b>	Aluminium, die cast
<b>RAL colour</b>	9004 (Black), 9003 (White), 9006 (Grey)
<b>Fixture type</b>	Recessed
<b>Module</b>	Philips Fortimo SLM LED module
<b>Driver</b>	Philips Xitanium external LED driver with strain relief
<b>Lumen output</b>	1100lm, 2000lm, 3000lm
<b>CCT</b>	2700K, 3000K, 3500K, 4000K, 5700K
<b>CRI</b>	>80Ra, >90Ra
<b>Beam angles</b>	15°, 24°, 40°, 60°
<b>Cut out size</b>	Ø115 x H94mm
<b>Expected Lifetime</b>	L80B10 >70.000 / L90B50 >50.000h
<b>Photobiological safety</b>	RG1 unlimited
<b>Power factor</b>	> 0.9
<b>LOR</b>	> 90%
<b>Colour consistency</b>	3 SDCM
<b>Warranty</b>	5 years warranty on LED module and driver

Net Weight	Dimensions carton L x W x H	Qty outer carton
621 grams	15 x 15 x 14 cm	24

## LED MODULES



## OPTIONS



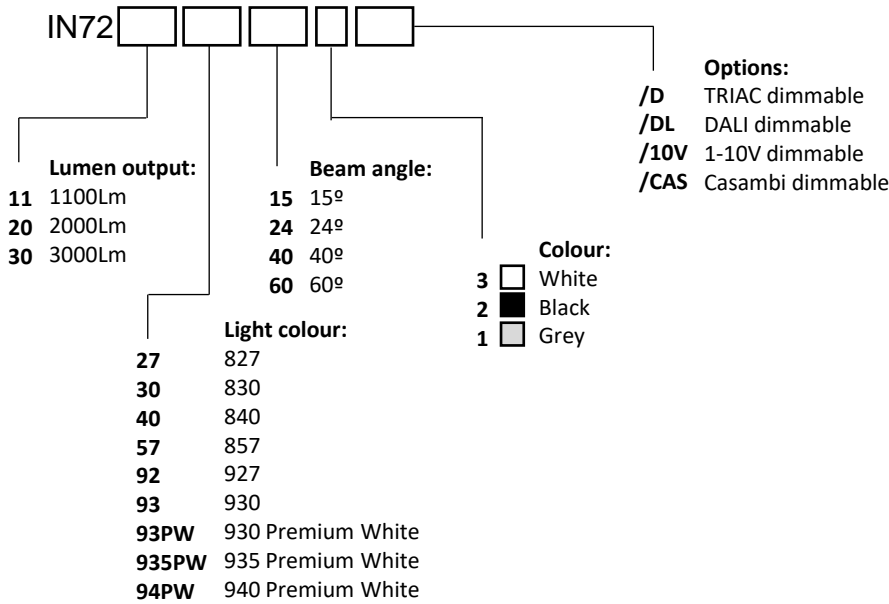
## LED MODULE OPTIONS

Description	Lumen	Watt	Lm/W	CCT	CRI	Description	Lumen	Watt	Lm/W	CCT	CRI
Philips Fortimo SLM G7	1100Lm	7W	157	827, 830	>80Ra						
Philips Fortimo SLM G7	1100Lm	6W	183	840, 857	>80Ra						
Philips Fortimo SLM G7	1100Lm	8W	138	927, 930, 930PW	>90Ra						
Philips Fortimo SLM G7	1100Lm	7W	157	935PW, 940PW	>90Ra						
Philips Fortimo SLM G7	2000Lm	15W	167	827, 830	>80Ra						
Philips Fortimo SLM G7	2000Lm	12W	167	840, 857	>80Ra						
Philips Fortimo SLM G7	2000Lm	15W	133	927, 930, 930PW	>90Ra						
Philips Fortimo SLM G7	2000Lm	14W	143	935PW, 940PW	>90Ra						
Philips Fortimo SLM G7	3000Lm	19W	158	827, 830	>80Ra						
Philips Fortimo SLM G7	3000Lm	18W	166	840, 857	>80Ra						
Philips Fortimo SLM G7	3000Lm	22W	136	927, 930, 930PW	>90Ra						
Philips Fortimo SLM G7	3000Lm	20W	150	935PW, 940PW	>90Ra						

LED modules  
Standard: CRI>80 and >90 in CCT 2700K, 3000K, 3500K, 4000K  
Premium White (PW): for fresh white and depth of colour in retail environments  
1) Lumen output of LED module (COB)  
2) Mentioned wattage applies for the COB only. Mentioned wattage applies for the most efficient CCT.  
The power of the complete fixture will be slightly higher due to the power consumption of the driver.  
3) Values shown are average values and are subject to +/- 10% tolerance (set by international standards). The colour temperature is subject to a tolerance of up to +/- 150 Kelvin compared to the nominal value.  
Technical data can be changed by Internova without prior notice.

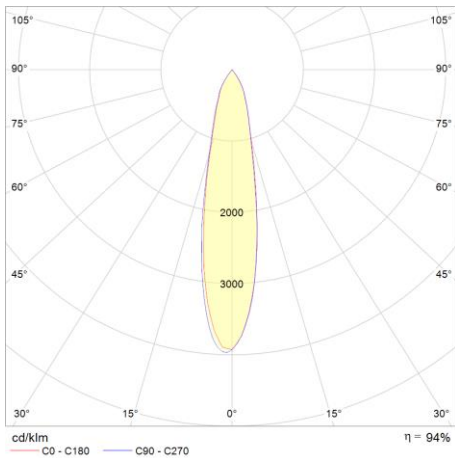
**It all starts with light**

## ARTICLE CODE STRUCTURE

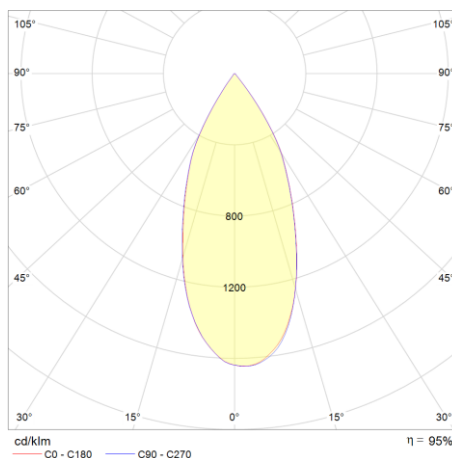


## POLAR DIAGRAMS

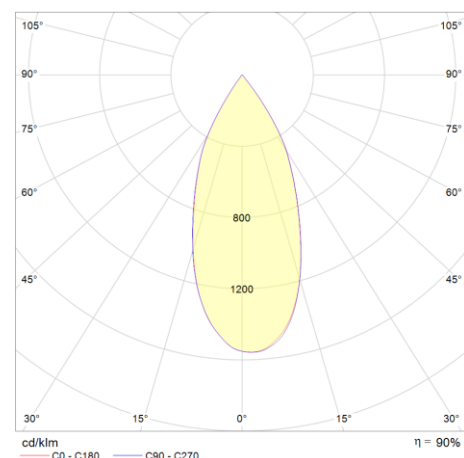
24°



40°



60°



**It all starts with light**