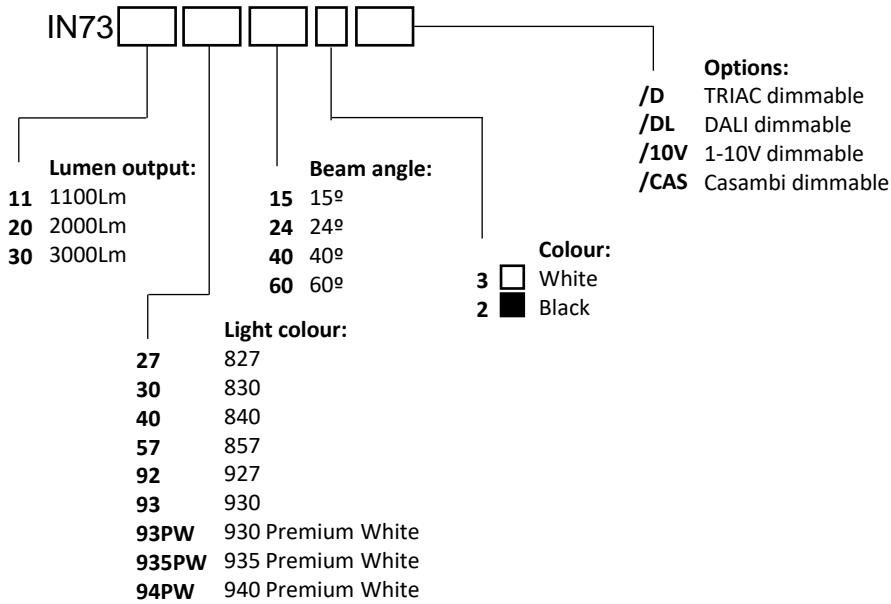




## ARTICLE CODE STRUCTURE

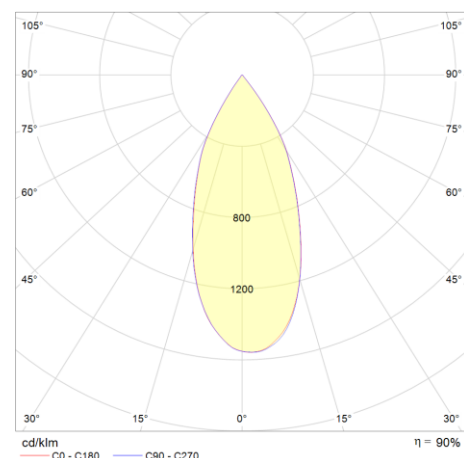
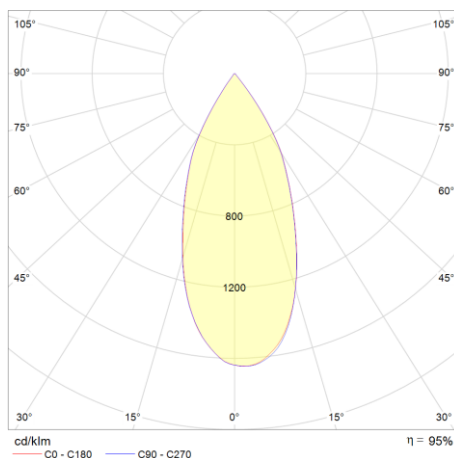
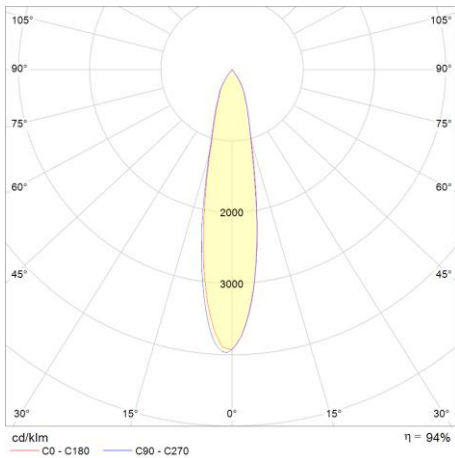


## POLAR DIAGRAMS

24°

40°

60°



**It all starts with light**