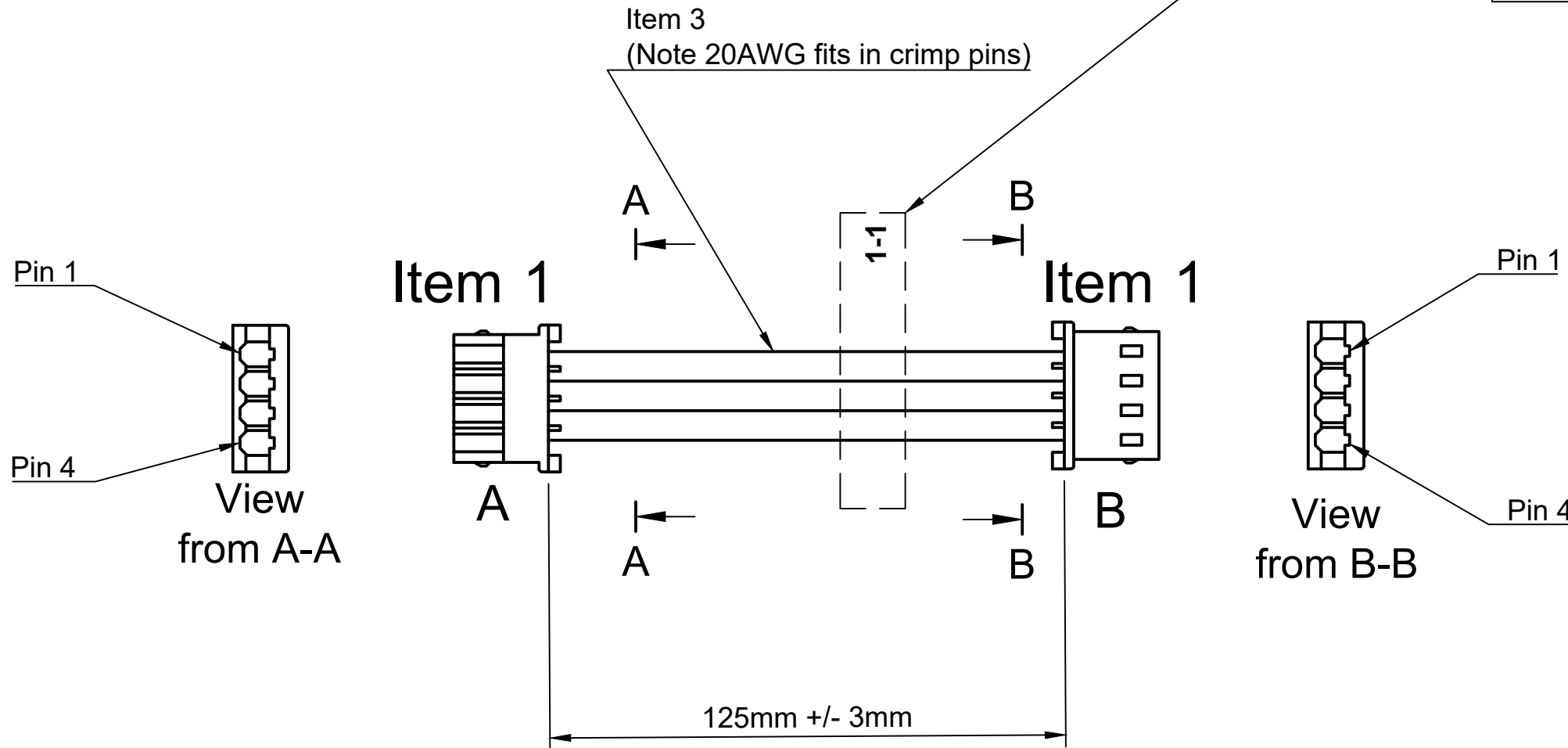


Pinout		
Signal	CON A	CON B
VDC	1	1
GND	2	2
SCL	3	3
SDA	4	4

Label Specification (Item 4)	
Text	1-1
Text Color	Black
Label Color	Silver or White
Label Width	9mm
Label Length	40mm



PARTS LIST (NO SUBSTITUTIONS FOR LISTED MPNs UNLESS APPROVED BY MODALAI)

ITEM #	DESCRIPTION	MPN	QTY
1	CON A&B: MOLEX CONN RCPT HSG 4POS 2.50MM	0050375043	2
2	Terminal: MOLEX SOCKET 22-28AWG CRIMP TIN	0008701039	8
3	20AWG silicon wire, Black, Length = 125mm		8
4	Label, see label specs above		1

https://www.modalai.com/	Design Copyright by ModalAI, INC.	Approved by HW_ENG
	Document type NF_CABLE_DWG	Document status
	Title Power Cable, Molex 4-pin Power Module To Voxl	DWG No. MCBL-00001-1
	Rev. A	Revision Date 01/17/2023