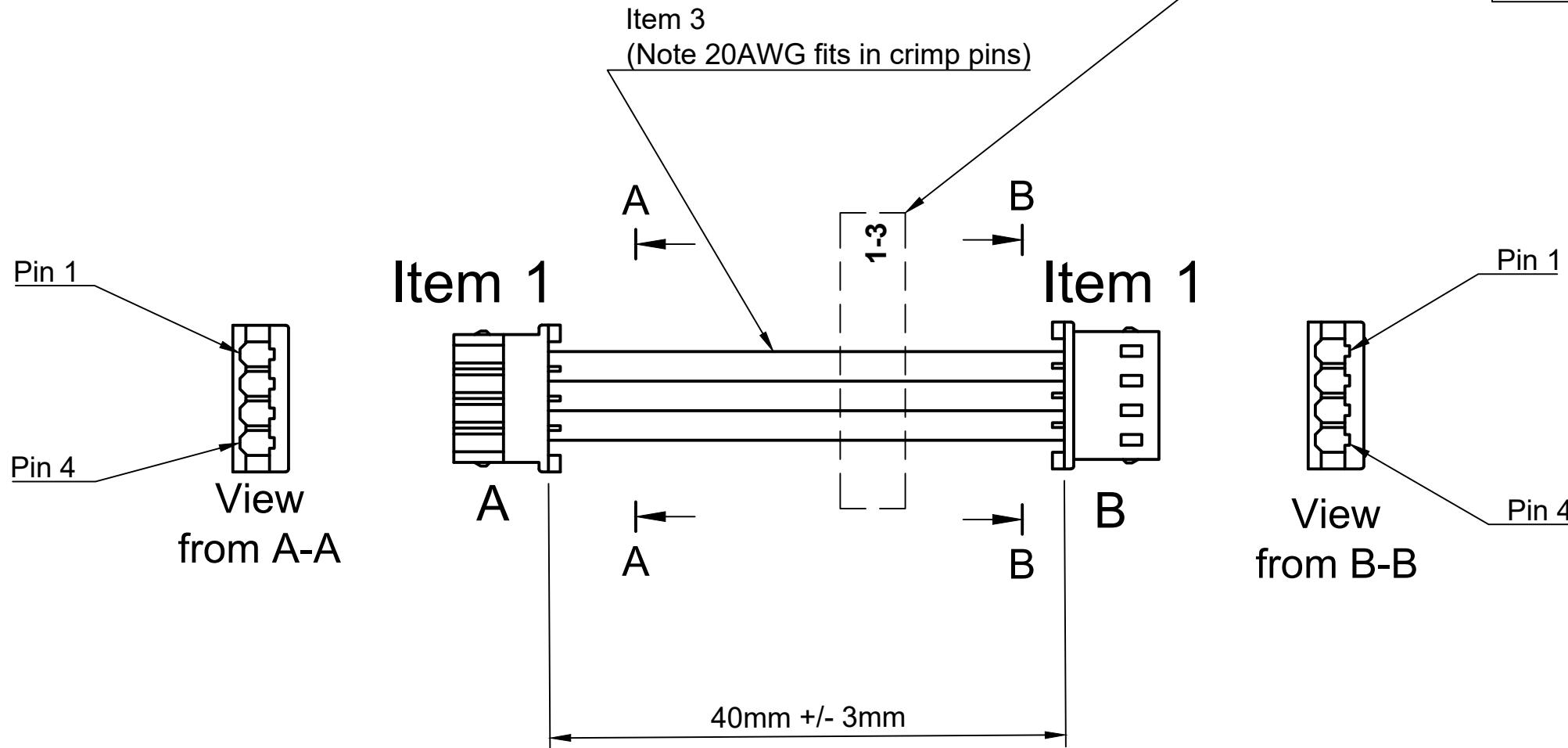



Pinout		
Signal	CON A	CON B
VDC	1	1
GND	2	2
SCL	3	3
SDA	4	4

Label Specification (Item 4)	
Text	1-3
Text Color	Black
Label Color	Silver or White
Label Width	9mm +/- 2mm
Label Length	40mm +/- 2mm



PARTS LIST (NO SUBSTITUTIONS FOR LISTED MPNs UNLESS APPROVED BY MODALAI)

ITEM #	DESCRIPTION	MPN	QTY
1	CON A&B: MOLEX CONN RCPT HSG 4POS 2.50MM	0050375043	2
2	Terminal: MOLEX SOCKET 22-28AWG CRIMP TIN	0008701039	8
3	20AWG silicon wire, Black, Length = 40mm		8
4	Label, see label specs above		1

https://www.modalai.com/ 	Design Copyright by ModalAI, INC.	Approved by HW_ENG
	Document type NF_CABLE_DWG	Document status
Power Cable, Molex 4-pin Power Module To Voxl2, 40mm	DWG No. MCBL-00001-3	
	Rev. A	Revision Date 03/17/2023