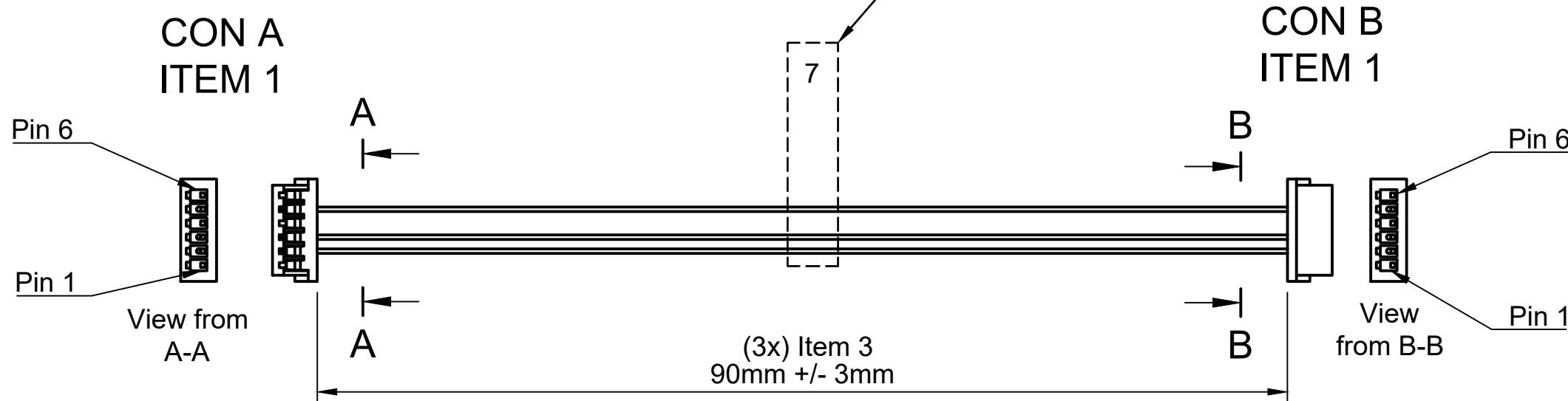



Pinout		
Signal	CON A	CON B
FC RX to VOXL TX	2	2
FC TX to VOXL RX	3	3
GND	5	5

Label Specification (Item 4)	
Text	7
Text Color	Black
Label Color	Silver or White
Label Width	9mm +/- 2mm
Label Length	40mm +/- 4mm



PARTS LIST (NO SUBSTITUTIONS FOR LISTED MPNs UNLESS APPROVED BY MODALAI)

ITEM #	DESCRIPTION	MPN	QTY
1	CON A, B: CONN RCPT HSG 6POS 1.25MM	DF13-6S-1.25C	2
2	Terminal: FEMALE CONTACT GOLD 26-30AWG	DF13-2630SCFA	6
3	Black PVC cable (flexible), 26AWG, 90mm		3
4	Label, see label specs above		1

https://www.modalai.com/	Design Copyright by ModalAI, INC.	Approved by HW_ENG
	Document type NF_CABLE_DWG	Document status
	Title VOXL to Flight Core VOXL to VOXL ESC	DWG No. MCBL-00007-1
	Rev. A	Revision Date 08/17/2023 Sheet 1