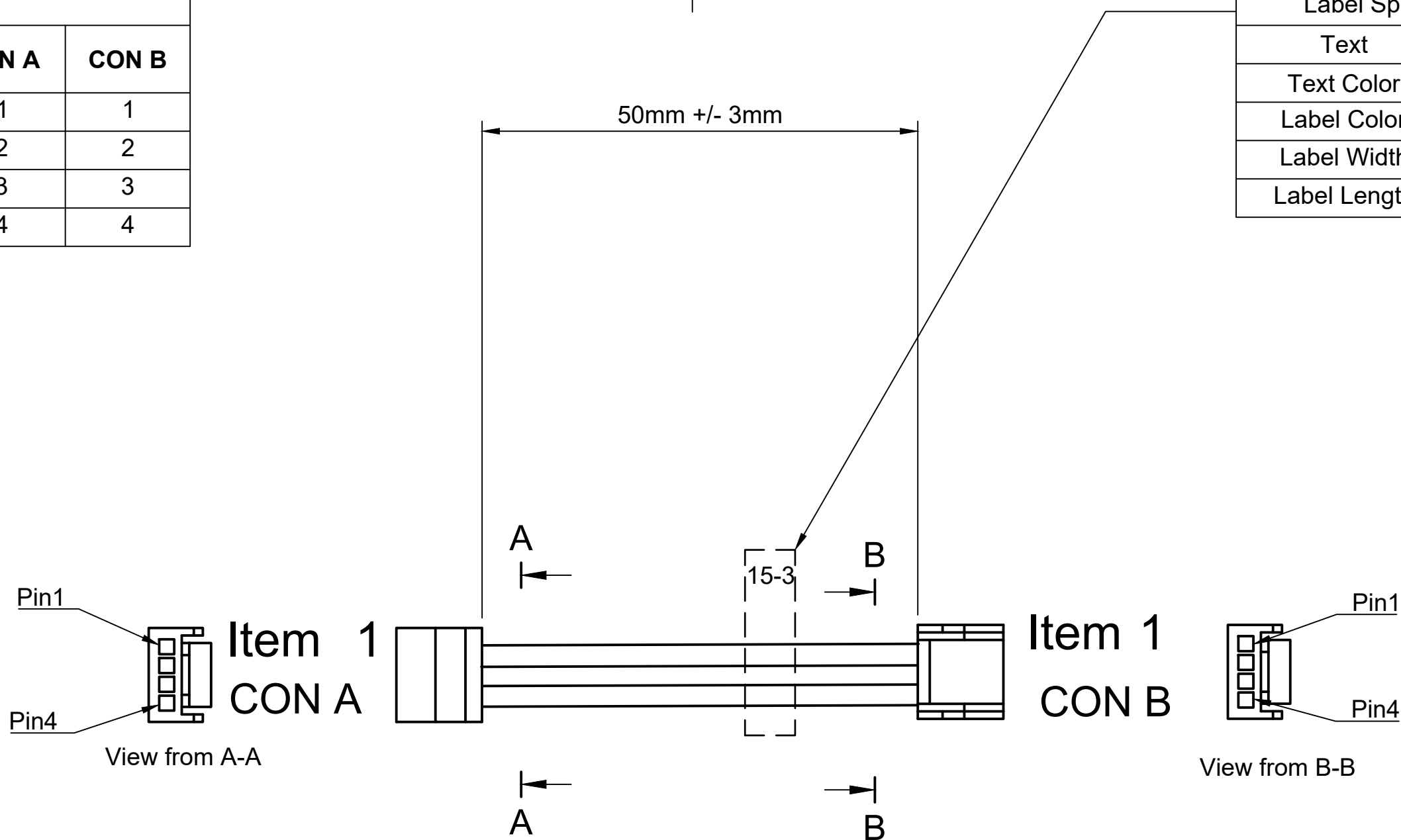


Pinout		
Signal	CON A	CON B
1	1	1
2	2	2
3	3	3
4	4	4

Label Specification (Item 4)	
Text	15-3
Text Color	Black
Label Color	Silver or White
Label Width	9mm +/- 2mm
Label Length	40mm +/- 4mm



PARTS LIST (NO SUBSTITUTIONS FOR LISTED MPNs UNLESS APPROVED BY MODALAI)

ITEM #	DESCRIPTION	MPN	QTY
1	CON A&B: JST 1.25MM HOUSING, 4-POS	GHR-04V-S	2
2	Terminal JST eGH Series 30-26AWG	SSHL-002T-P0.2	8
3	Black PVC (flexible) cable, 26AWG, 50mm		4
4	Label, see label specs above		1

https://www.modalai.com/	Design Copyright by ModalAI, INC.	Approved by HW_ENG
	Document type NF_CABLE_DWG	Document status
	Title 4-Pin JST to 4-Pin JST Straight-Thru, 50mm	DWG No. MCBL-00015-3
		Rev. A Revision Date 12/08/2023 Sheet 1