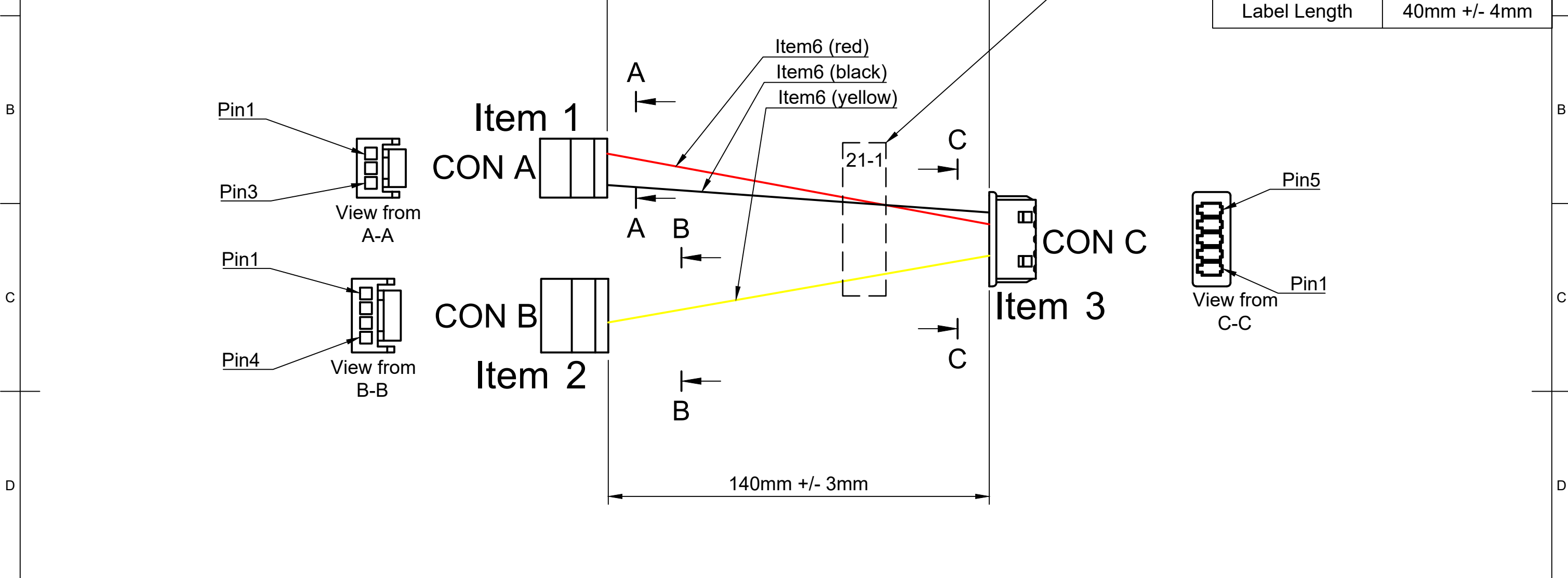


Pinout			
Signal: Cable Color	CON A	CON B	CONC
5V: Red	1		4
GND: Black	3		5
S.BUS: Yellow		3	2

Label Specification (Item 7)	
Text	21-1
Text Color	Black
Label Color	Silver or White
Label Width	9mm +/- 2mm
Label Length	40mm +/- 4mm



PARTS LIST (NO SUBSTITUTIONS FOR LISTED MPNs UNLESS APPROVED BY MODALAI)

ITEM #	DESCRIPTION	MPN	QTY
1	CON A: JST 1.25MM HOUSING, 3-POS	GHR-03V-S	1
2	CON B: JST 1.25MM HOUSING, 4-POS	GHR-04V-S	1
3	CON C: MOLEX 1.25MM HOUSING, 5-POS	0510210500	1
4	Terminal JST eGH Series 30-26AWG	SSHL-002T-P0.2	3
5	Terminal Molex Picoblade Series 26-28AWG Tin	0500798000	3
6	Back, Red, Yellow Silicone Cable, 26AWG, Colors used as noted, 140mm		1 each color
7	Label, see label specs above		1

https://www.modalai.com/	Design Copyright by ModalAI, INC.	Approved by HW_ENG
	Document type NF_CABLE_DWG	Document status
	Title RC Input Cable, FrSky R-XSR to Voxel Flight/FCv1	DWG No. MCBL-00021-1
		Rev. A Revision Date 03/17/2023 Sheet 1