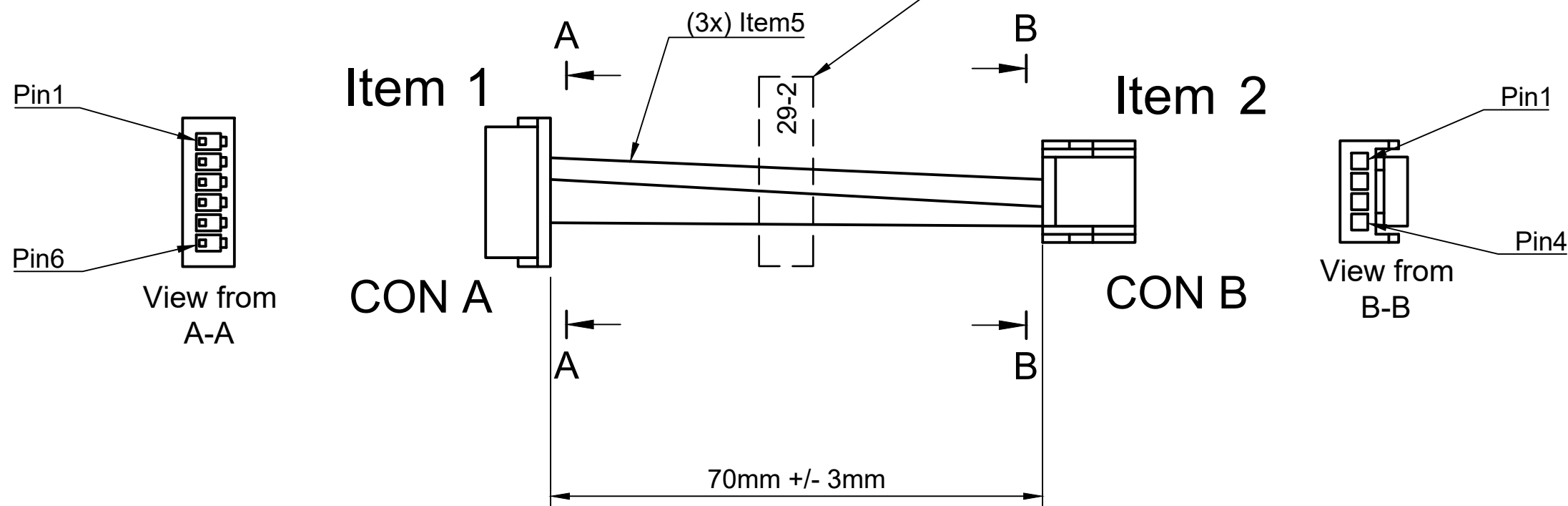



Pinout		
Signal	CON A	CON B
V_TX	2	2
V_RX	3	3
GND	5	4

Label Specification (Item 6)	
Text	29-2
Text Color	Black
Label Color	Silver or White
Label Width	9mm +/- 2mm
Label Length	40mm +/- 4mm



PARTS LIST (NO SUBSTITUTIONS FOR LISTED MPNs UNLESS APPROVED BY MODALAI)

ITEM #	DESCRIPTION	MPN	QTY
1	CON A: HIROSE 1.25MM HOUSING, 6-POS	DF13-6S-1.25C	1
2	CON B: JST 1.25MM HOUSING, 4-POS	GHR-04V-S	1
3	Terminal HIROSE DF13 Series 30-26AWG	DF13-2630SCF	3
4	Terminal JST eGH Series 30-26AWG	SSHL-002T-P0.2	3
5	Black Silicone cable, 26AWG, 70mm		3
6	Label, see label specs above		1

https://www.modalai.com/	Design Copyright by ModalAI, INC.	Approved by HW_ENG
	Document type NF_CABLE_DWG	Document status
	Title VOXL2 to ESC JST GH-to-DF13 UART, 70mm	DWG No. MCBL-00029-2
	Rev. A	Revision Date 03/17/2023