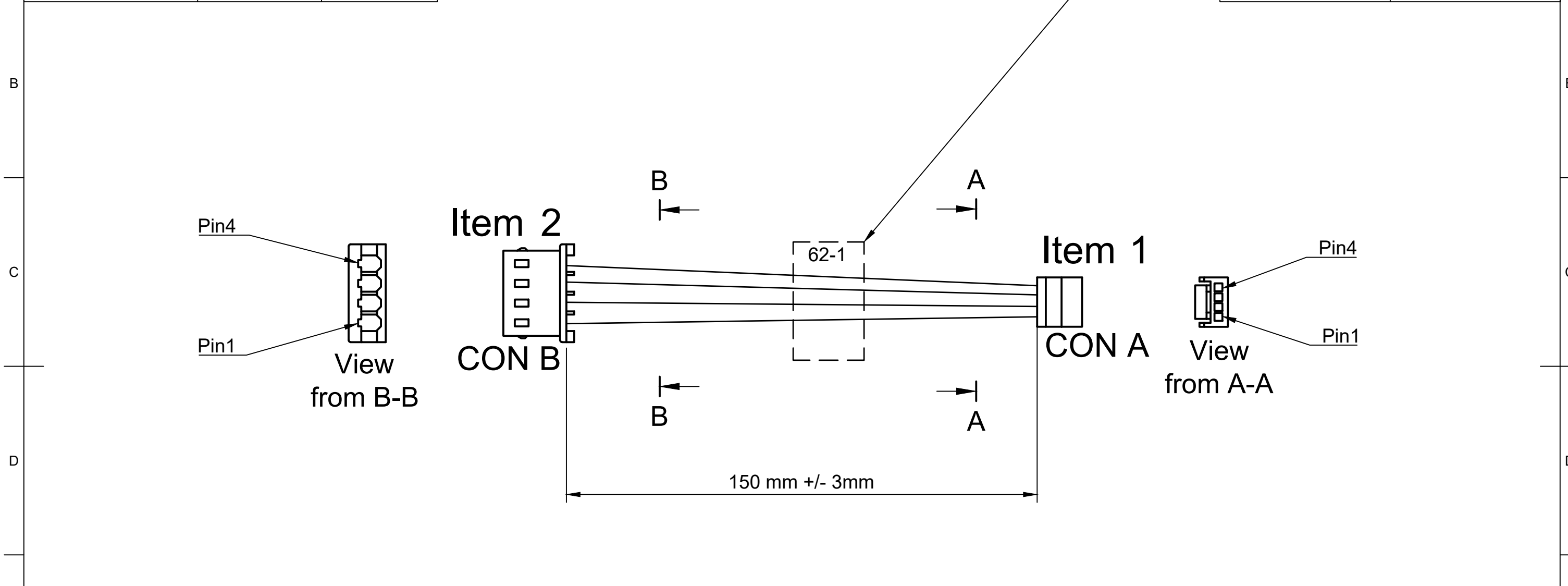


Pinout			Label Specification (Item 6)				
Signal	CON A	CON B	Text	62-1			
5V	1	1	Text Color	Black			
GND	2	2	Label Color	Silver or White			
SCL	3	3	Label Width	9mm +/- 2mm			
SDA	4	4	Label Length	40mm +/- 4mm			



PARTS LIST (NO SUBSTITUTIONS FOR LISTED MPNs UNLESS APPROVED BY MODALAI)

ITEM #	DESCRIPTION	MPN	QTY
1	CON A: JST 1.25MM HOUSING, 4-POS	GHR-04V-S	1
2	CON B: MOLEX CONN RCPT HSG 4POS 2.50MM	0050375043	1
3	Terminal JST eGH Series 30-26AWG	SSHL-002T-P0.2	4
4	Terminal MOLEX Socket 22-28AWG CRIMP TIN	0008701039	4
5	26AWG Silicone wire, Black, Length = 150mm		4
6	Label, see label specs above		1

https://www.modalai.com/	Design Copyright by ModalAI, INC.	Approved by HW_ENG
	Document type NF_CABLE_DWG	Document status
	Title FlightCore V2 Power Cable	DWG No. MCBL-00062-1
	Rev. A	Revision Date 03/06/2023
		Sheet 1