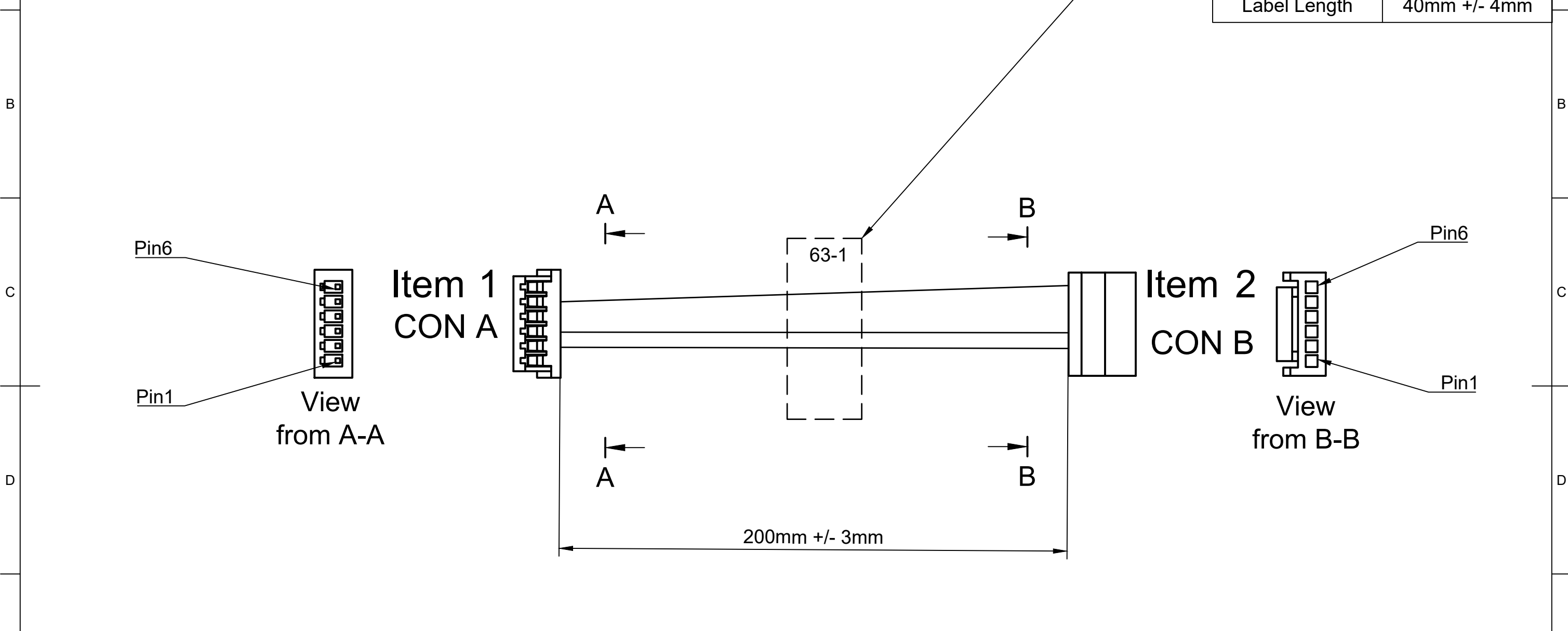


Pinout			Label Specification (Item 6)	
Signal	CON A	CON B	Text	63-1
V_TX	2	2	Text Color	Black
V_RX	3	3	Label Color	Silver or White
GND	5	6	Label Width	9mm +/- 2mm
			Label Length	40mm +/- 4mm



PARTS LIST (NO SUBSTITUTIONS FOR LISTED MPNs UNLESS APPROVED BY MODALAI)

ITEM #	DESCRIPTION	MPN	QTY
1	CON A: HIROSE 1.25MM HOUSING, 6-POS	DF13-6S-1.25C	1
2	CON B: JST 1.25MM HOUSING, 6-POS	GHR-06V-S	1
3	Terminal Hirose DF13 Series 30-26AWG	DF13-2630SCF	3
4	Terminal JST eGH Series 30-26AWG	SSHL-002T-P0.2	3
5	Black PVC cable, 26AWG, 200mm		3
6	Label, see label specs above		1

https://www.modalai.com/	Design Copyright by ModalAI, INC.	Approved by HW_ENG					
	Document type NF_CABLE_DWG	Document status					
	Title FlightCore V2 UART ESC Cable Straight, 200mm	DWG No. MCBL-00063-1					
		<table border="1"> <tr> <td>Rev.</td> <td>Revision Date</td> <td>Sheet</td> </tr> <tr> <td>A</td> <td>03/03/2023</td> <td>1</td> </tr> </table>	Rev.	Revision Date	Sheet	A	03/03/2023
Rev.	Revision Date	Sheet					
A	03/03/2023	1					