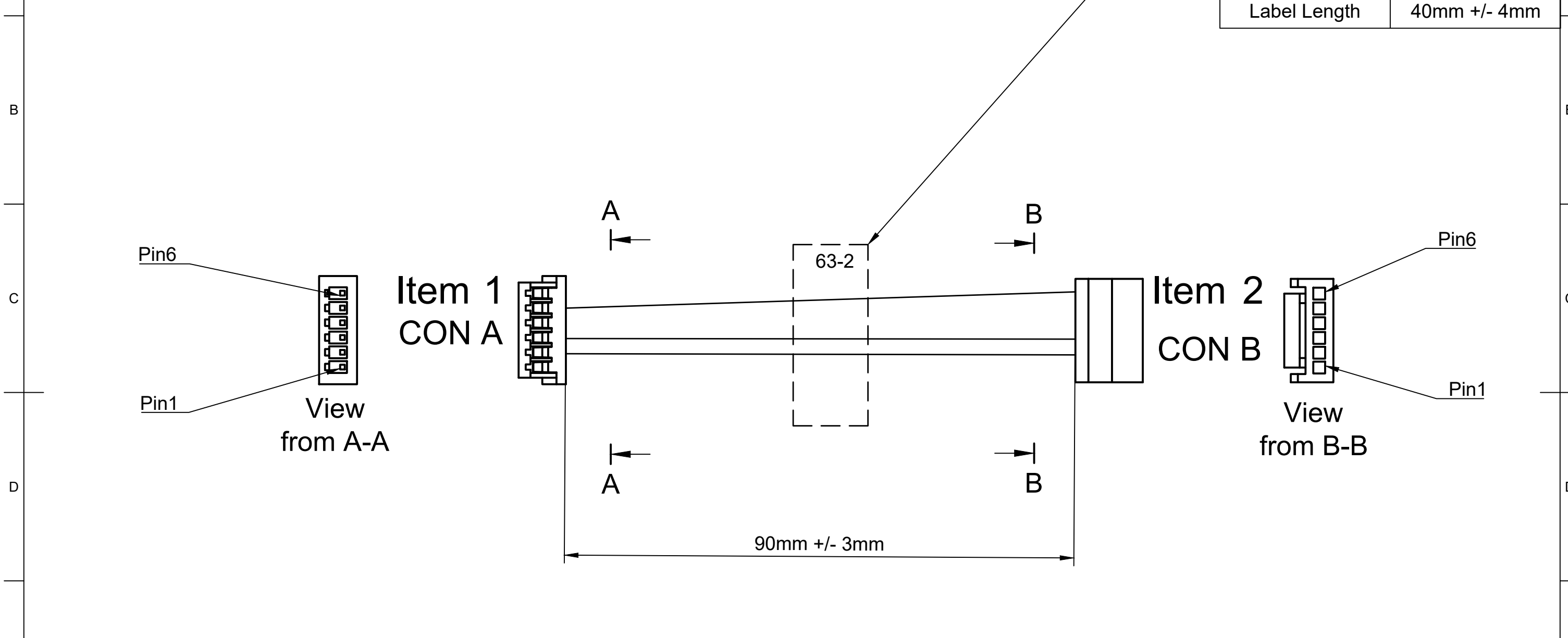


Pinout			Label Specification (Item 6)				
<b>Signal</b>	<b>CON A</b>	<b>CON B</b>	Text	63-2			
V_TX	2	2	Text Color	Black			
V_RX	3	3	Label Color	Silver or White			
GND	5	6	Label Width	9mm +/- 2mm			
			Label Length	40mm +/- 4mm			



**PARTS LIST (NO SUBSTITUTIONS FOR LISTED MPNs UNLESS APPROVED BY MODALAI)**

ITEM #	DESCRIPTION	MPN	QTY
1	CON A: HIROSE 1.25MM HOUSING, 6-POS	DF13-6S-1.25C	1
2	CON B: JST 1.25MM HOUSING, 6-POS	GHR-06V-S	1
3	Terminal Hirose DF13 Series 30-26AWG	DF13-2630SCF	3
4	Terminal JST eGH Series 30-26AWG	SSHL-002T-P0.2	3
5	Black PVC cable, 26AWG, 90mm		3
6	Label, see label specs above		1

<a href="https://www.modalai.com/">https://www.modalai.com/</a>	Design Copyright by ModalAI, INC.	Approved by <b>HW_ENG</b>
	Document type <b>NF_CABLE_DWG</b>	Document status
	Title <b>FlightCore V2 UART ESC Cable Straight, 90mm</b>	DWG No. <b>MCBL-00063-2</b>
		Rev. <b>A</b> Revision Date <b>03/03/2023</b> Sheet <b>1</b>