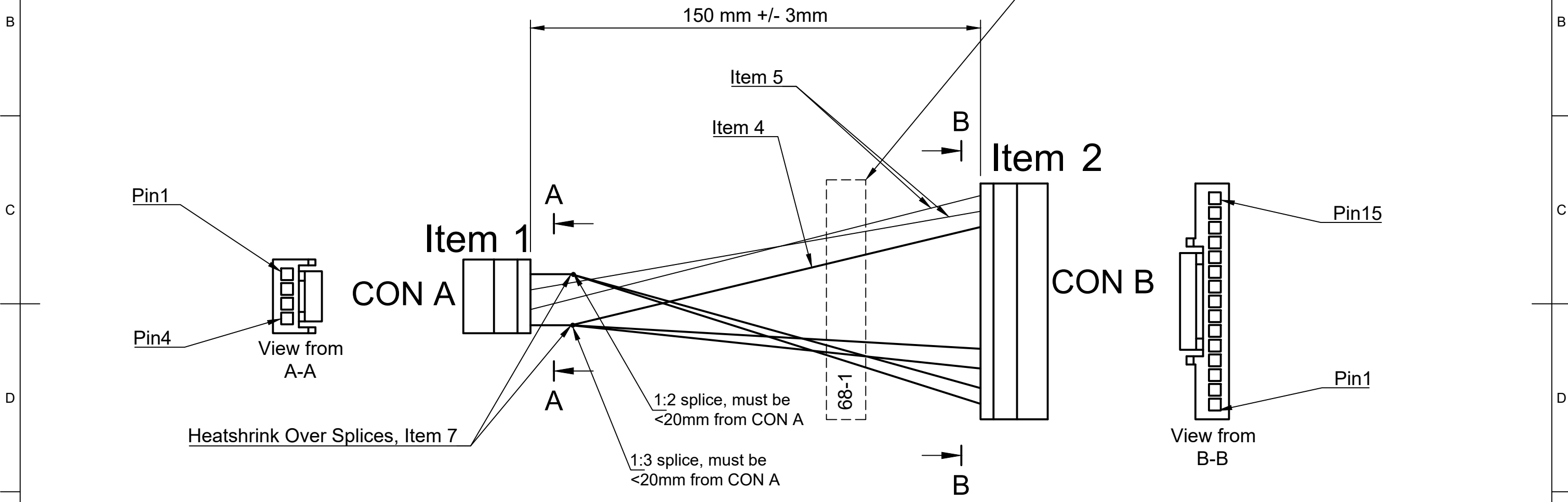


Pinout			Label Specification (Item 6)	
Signal	CON A	CON B	Text	68-1
VBUS	1	1 & 2	Text Color	Black
D-	2	14	Label Color	Silver or White
D+	3	15	Label Width	9mm
GND	4	3 & 4 & 13	Label Length	40mm

Twisted Pair for CON A Pins 2:3 to CON B Pins 15:14



PARTS LIST (NO SUBSTITUTIONS FOR LISTED MPNs UNLESS APPROVED BY MODALAI)

ITEM #	DESCRIPTION	MPN	QTY
1	CON A: JST 1.25MM HOUSING, 4-POS	GHR-04V-S	1
2	CON B: JST 1.25MM HOUSING, 15-POS	GHR-15V-S	1
3	Terminal JST eGH Series 30-26AWG	SSHL-002T-P0.2	11
4	Black PVC cable, 26AWG, 150mm		5
5	White/Green Twisted Pair PVC cable, 28AWG, 150mm effective		1
6	Label, see label specs above, do not cover with heatshrink		1
7	Silicon Heatshrink, applied to splices as required		As Needed

https://www.modalai.com/	Design Copyright by ModalAI, INC.	Approved by HW_ENG
	Document type NF_CABLE_DWG	Document status
	Title USB2.0 4-pin JST To Doodle Labs Helix 15-pin JST	DWG No. MCBL-00068-1
		Rev. A Revision Date 01/25/2023 Sheet 1