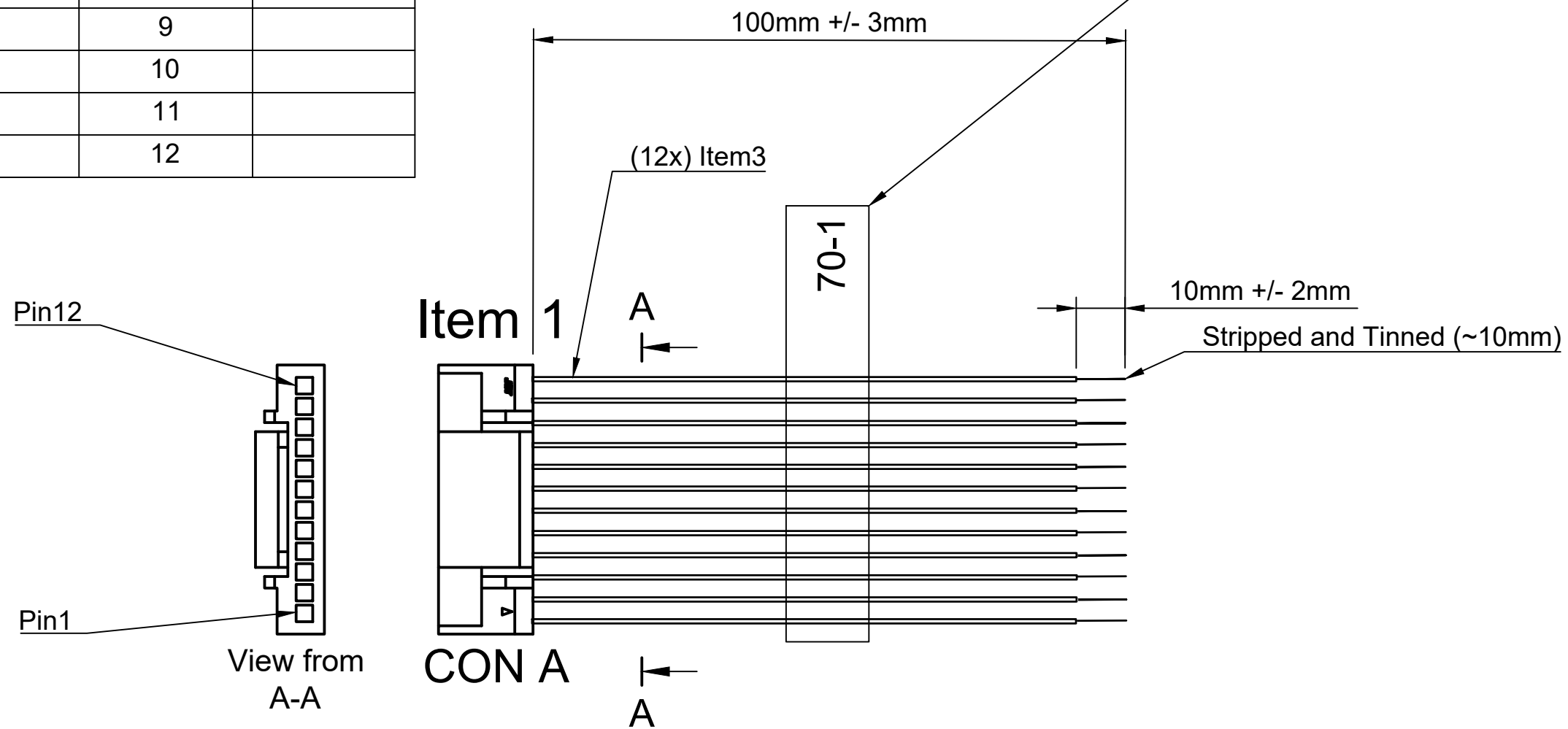



| Pinout |       |  |
|--------|-------|--|
| Signal | CON A |  |
| 1      | 1     |  |
| 2      | 2     |  |
| 3      | 3     |  |
| 4      | 4     |  |
| 5      | 5     |  |
| 6      | 6     |  |
| 7      | 7     |  |
| 8      | 8     |  |
| 9      | 9     |  |
| 10     | 10    |  |
| 11     | 11    |  |
| 12     | 12    |  |

| Label Specification (Item 4) |                 |
|------------------------------|-----------------|
| Text                         | 70-1            |
| Text Color                   | Black           |
| Label Color                  | Silver or White |
| Label Width                  | 9mm             |
| Label Length                 | 40mm            |



**PARTS LIST (NO SUBSTITUTIONS FOR LISTED MPNs UNLESS APPROVED BY MODALAI)**

| ITEM # | DESCRIPTION  | MPN            | QTY |
|--------|--|----------------|-----|
| 1      | CON A: JST 1.25MM HOUSING, 12-POS                          | GHR-12V-S      | 1   |
| 2      | Terminal JST eGH Series 30-26AWG                           | SSHL-002T-P0.2 | 12  |
| 3      | Black PVC cable, 26AWG, 100mm                              |                | 12  |
| 4      | Label, see label specs above, do not cover with heatshrink |                | 1   |

|  |                                      |                              |
|--|--------------------------------------|------------------------------|
| <a href="https://www.modalai.com/">https://www.modalai.com/</a><br><br> | Design Copyright by<br>ModalAI, INC. | Approved by<br><b>HW_ENG</b> |
|  | Document type<br><b>NF_CABLE_DWG</b> | Document status              |
| <b>12-pin JST GH Breakout Cable</b>  | Title                                |                              |
|  | <b>MCBL-00070-1</b>                  |                              |
| Rev. <b>A</b>  | Revision Date<br><b>02/08/2023</b>   | Sheet<br><b>1</b>            |