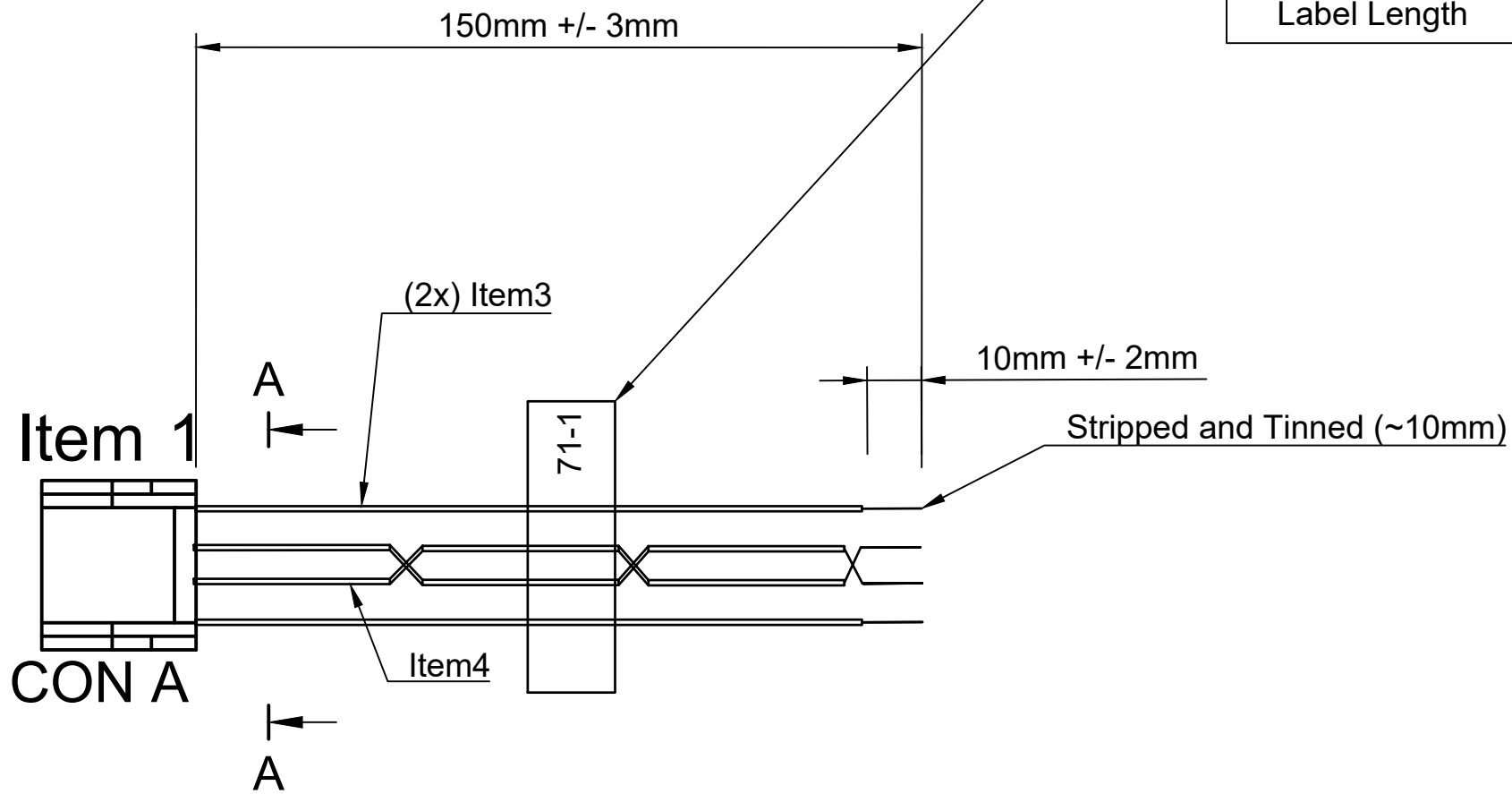
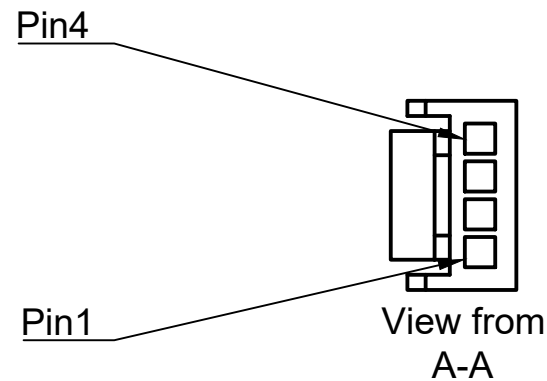


Pinout		
Signal	CON A	
1	1	
2	2	
3	3	
4	4	

Twisted Pairs for Pins 2:3



Label Specification (Item 5)	
Text	71-1
Text Color	Black
Label Color	Silver or White
Label Width	9mm
Label Length	40mm

PARTS LIST (NO SUBSTITUTIONS FOR LISTED MPNs UNLESS APPROVED BY MODALAI)

ITEM #	DESCRIPTION	MPN	QTY
1	CON A: JST 1.25MM HOUSING, 4-POS	GHR-04V-S	1
2	Terminal JST eGH Series 30-26AWG	SSHL-002T-P0.2	4
3	Black PVC cable, 26AWG, 150mm		2
4	White/Green Twisted Pair PVC cable, 28AWG, 150mm effective		1
5	Label, see label specs above		1

<https://www.modalai.com/>



Design Copyright by ModalAI, INC.		Approved by HW_ENG
Document type NF_CABLE_DWG		Document status
Title 4-pin JST GH Breakout Cable		DWG No. MCBL-00071-1
Rev. A	Revision Date 02/09/2023	Sheet 1