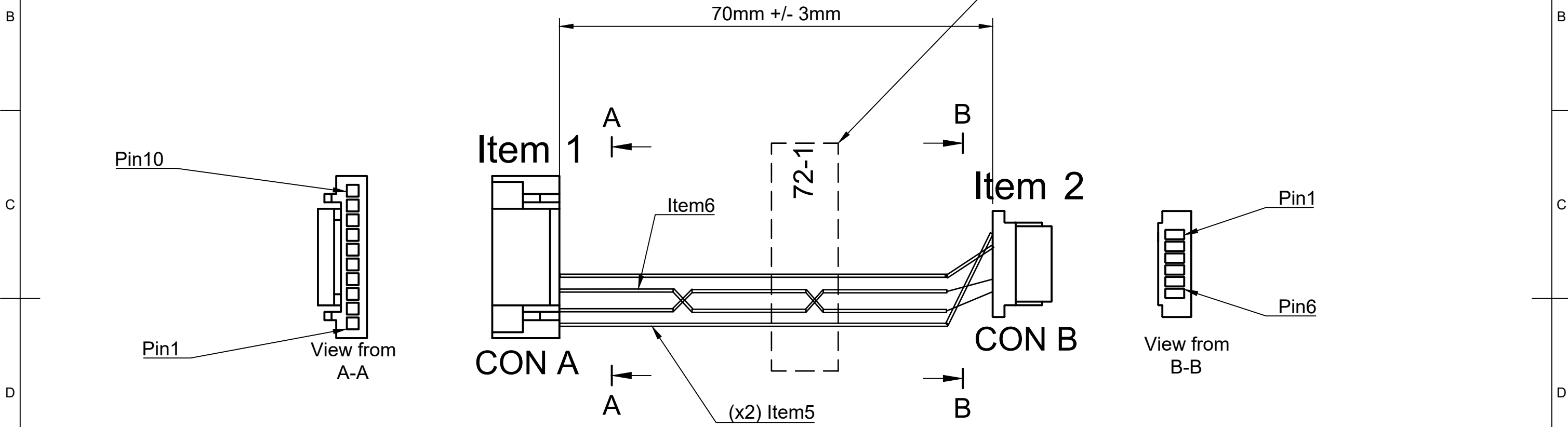


Pinout		
Signal	CON A	CON B
VBUS	1	1
D-	2	6
D+	3	5
GND	4	2

Label Specification (Item 7)	
Text	72-1
Text Color	Black
Label Color	Silver or White
Label Width	9mm
Label Length	40mm

Twisted Pairs for Pins 2:3 to 6:5



PARTS LIST (NO SUBSTITUTIONS FOR LISTED MPNs UNLESS APPROVED BY MODALAI)

ITEM #	DESCRIPTION	MPN	QTY
1	CON A: JST 1.25MM HOUSING, 10-POS	GHR-10V-S	1
2	CON B: JST 1.0MM HOUSING (with Protrusions), 6-POS	SHR-06V-S-B	1
3	Terminal JST eGH Series 30-26AWG	SSHL-002T-P0.2	4
4	Terminal JST SR Series 32-28AWG	SSH-003T-P0.2-H	4
5	Black PVC cable, 26AWG, 70mm		2
6	White/Green Twisted Pair PVC cable, 28AWG, 70mm effective		1
7	Label, see label specs above		1

https://www.modalai.com/	Design Copyright by ModalAI, INC.	Approved by HW_ENG
	Document type NF_CABLE_DWG	Document status
	Title Voxl2 10-pin JST USB to Boson 6-pin RHP-BOS-VPC3-IF	DWG No. MCBL-00072-1
	Rev. A	Revision Date 02/14/2023