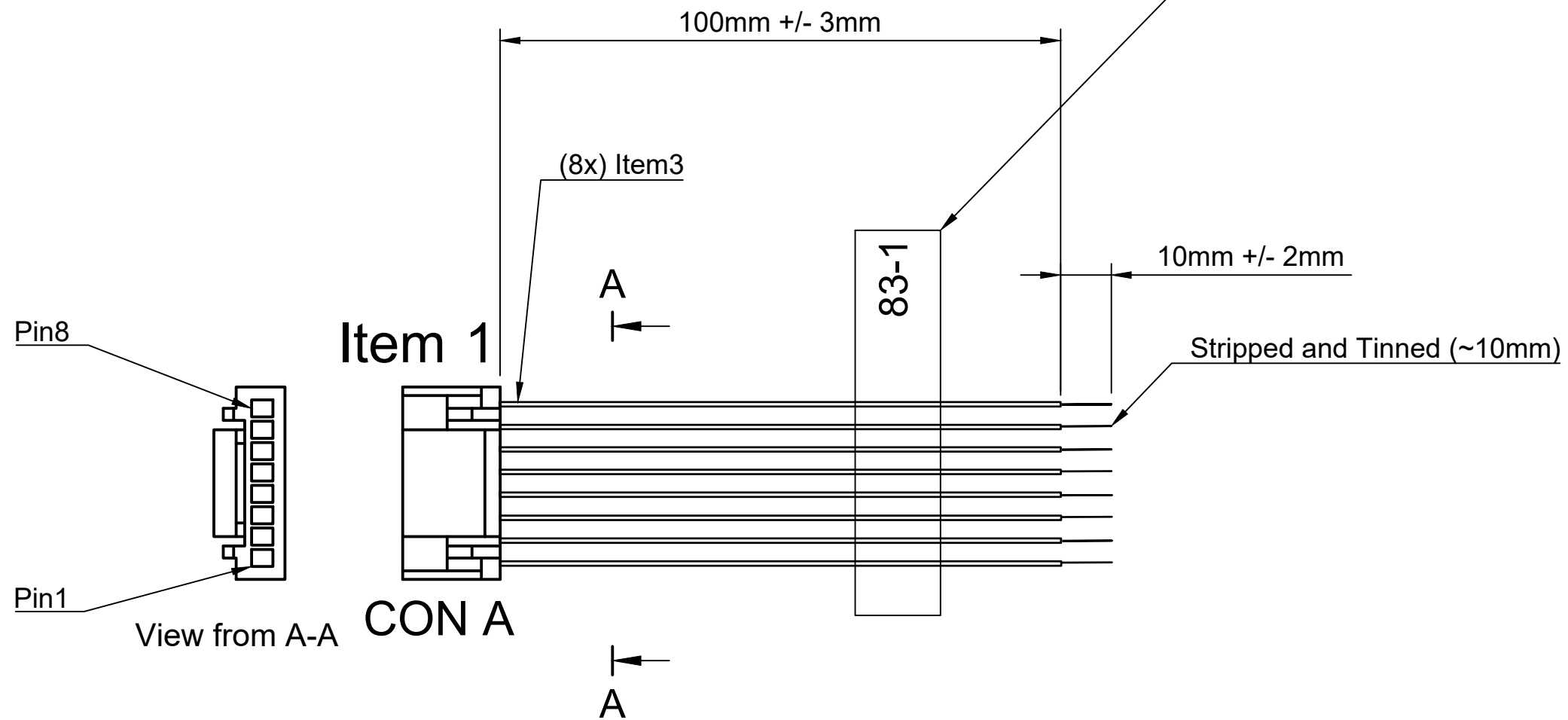


Pinout		
Signal	CON A	
1	1	
2	2	
3	3	
4	4	
5	5	
6	6	
7	7	
8	8	

Label Specification (Item 4)	
Text	83-1
Text Color	Black
Label Color	Silver or White
Label Width	9mm +/- 2mm
Label Length	40mm +/- 4mm



PARTS LIST (NO SUBSTITUTIONS FOR LISTED MPNs UNLESS APPROVED BY MODALAI)

ITEM #	DESCRIPTION	MPN	QTY
1	CON A: JST 1.25MM HOUSING, 8-POS	GHR-08V-S	1
2	Terminal JST eGH Series 30-26AWG	SSHL-002T-P0.2	8
3	Black PVC cable, 26AWG, 100mm		8
4	Label, see label specs above, do not cover with heatshrink		1

<https://www.modalai.com/>



Design Copyright by ModalAI, INC.		Approved by HW_ENG
Document type NF_CABLE_DWG		Document status
Title 8-pin JST GH Breakout Cable		DWG No. MCBL-00083-1
Rev. A	Revision Date 05/23/2023	Sheet 1