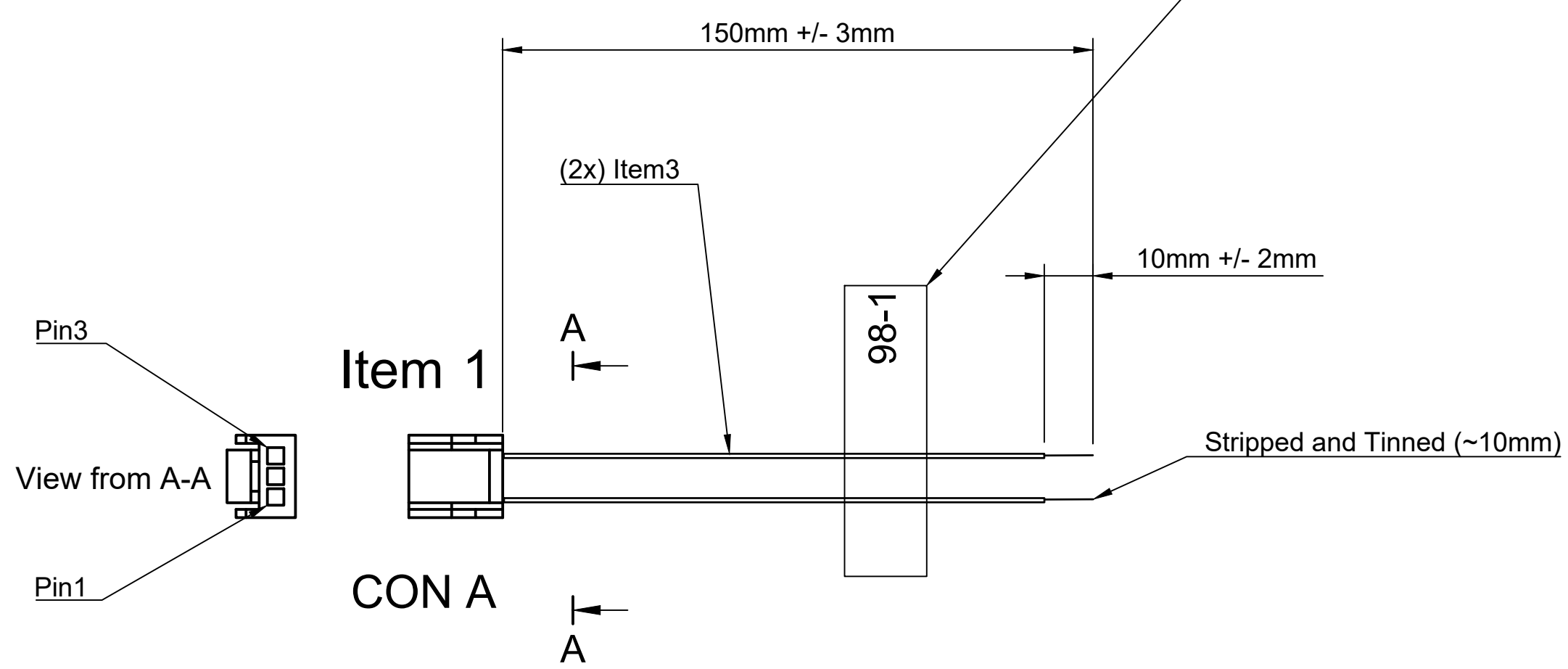


Pinout			Label Specification (Item 4)				
Signal	CON A		Text		98-1		
1	1		Text Color		Black		
3	3		Label Color		Silver or White		
			Label Width		9mm +/- 2mm		
			Label Length		40mm +/- 4mm		

Note: Position 2 is Empty/N.C.



PARTS LIST (NO SUBSTITUTIONS FOR LISTED MPNs UNLESS APPROVED BY MODALAI)

ITEM #	DESCRIPTION	MPN	QTY
1	CON A: JST 1.25MM HOUSING, 3-POS	GHR-03V-S	1
2	Terminal JST eGH Series 30-26AWG	SSHL-002T-P0.2	2
3	Black PVC (flexible) cable, 26AWG, 150mm		2
4	Label, see label specs above		1

https://www.modalai.com/ 	Design Copyright by ModalAI, INC.	Approved by HW_ENG					
	Document type NF_CABLE_DWG	Document status					
	Title 3-pin JST GH Sub-Pop Breakout 13	DWG No. MCBL-00098-1					
		<table border="1"> <tr> <td>Rev.</td> <td>Revision Date</td> <td>Sheet</td> </tr> <tr> <td>A</td> <td>02/12/2024</td> <td>1</td> </tr> </table>	Rev.	Revision Date	Sheet	A	02/12/2024
Rev.	Revision Date	Sheet					
A	02/12/2024	1					