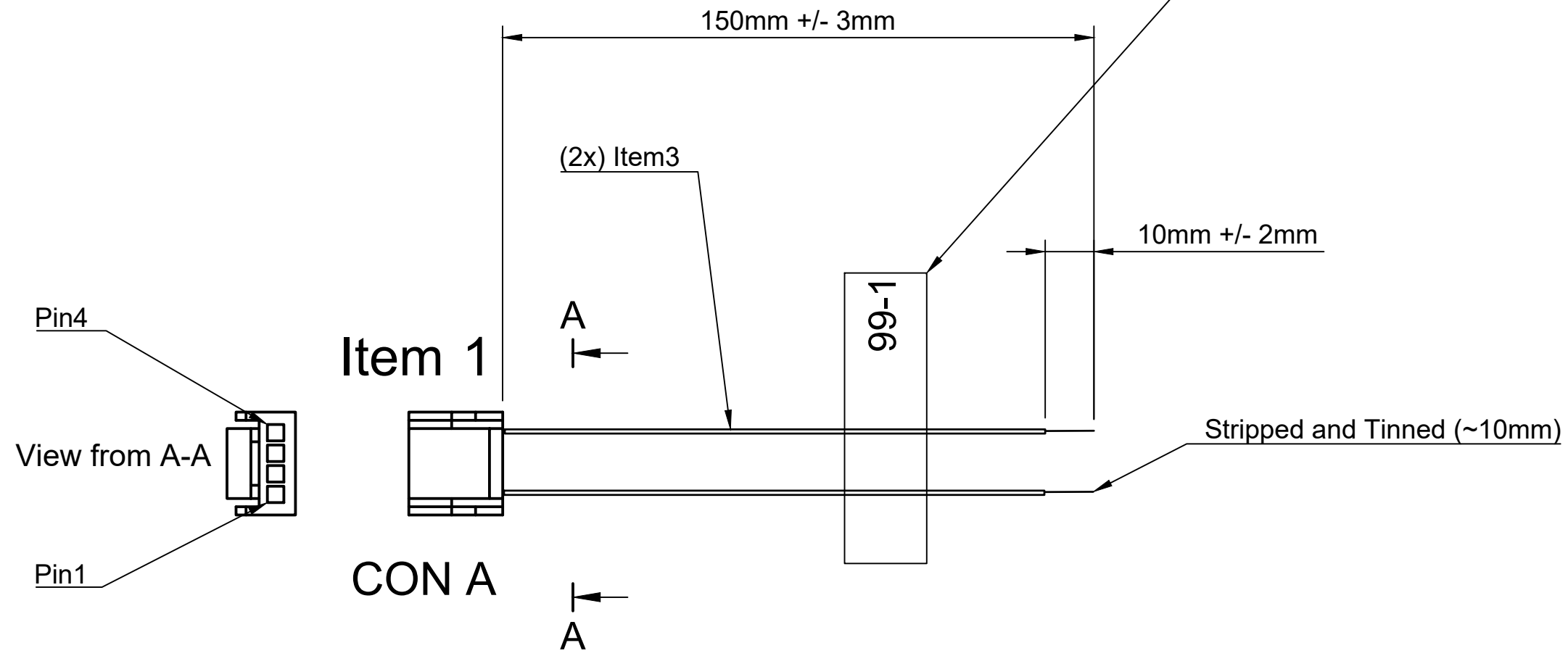


| | | | | | | | | | |
|---------------|--------------|--|--|--|--|--|--|------------------------------|-----------------|
| Pinout | | | | | | | | Label Specification (Item 4) | |
| Signal | CON A | | | | | | | Text | 99-1 |
| 1 | 1 | | | | | | | Text Color | Black |
| 4 | 4 | | | | | | | Label Color | Silver or White |
| | | | | | | | | Label Width | 9mm +/- 2mm |
| | | | | | | | | Label Length | 40mm +/- 4mm |

Note: Positions 2&3 are Empty/N.C.



PARTS LIST (NO SUBSTITUTIONS FOR LISTED MPNs UNLESS APPROVED BY MODALAI)

| ITEM # | DESCRIPTION | MPN | QTY |
|--------|--|----------------|-----|
| 1 | CON A: JST 1.25MM HOUSING, 4-POS | GHR-04V-S | 1 |
| 2 | Terminal JST eGH Series 30-26AWG | SSHL-002T-P0.2 | 2 |
| 3 | Black PVC (flexible) cable, 26AWG, 150mm | | 2 |
| 4 | Label, see label specs above | | 1 |

| | | |
|---|--|--|
| https://www.modalai.com/ | Design Copyright by ModalAI, INC. | Approved by HW_ENG |
| | Document type NF_CABLE_DWG | Document status |
| | Title 4-pin JST GH Sub-Pop Breakout 14 | DWG No. MCBL-00099-1 |
| | | Rev. A Revision Date 02/12/2024 Sheet 1 |