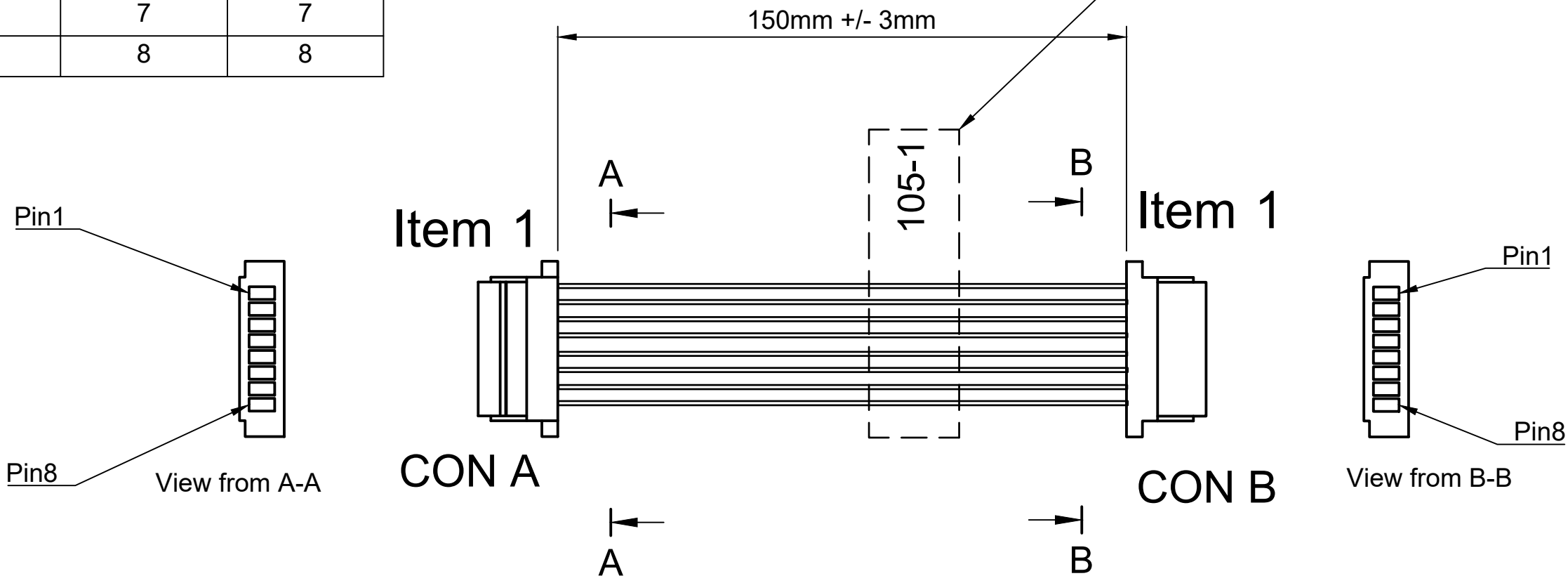


Pinout		
Signal	CON A	CON B
1	1	1
2	2	2
3	3	3
4	4	4
5	5	5
6	6	6
7	7	7
8	8	8

Label Specification (Item 4)	
Text	105-1
Text Color	Black
Label Color	Silver or White
Label Width	9mm +/- 2mm
Label Length	40mm +/- 2mm



PARTS LIST (NO SUBSTITUTIONS FOR LISTED MPNs UNLESS APPROVED BY MODALAI)

ITEM #	DESCRIPTION	MPN	QTY
1	CON A, CON B: JST 1.0MM HOUSING (with Protrusions), 8-POS	SHR-08V-S-B	2
2	Terminal JST SR Series 32-28AWG	SSH-003T-P0.2-H	16
3	Black PVC cable, 26AWG, 150mm		8
4	Label, see label specs above		1

<https://www.modalai.com/>



Design Copyright by
ModalAI, INC.

Document type
NF_CABLE_DWG

Title
**8-Pin JST SH
to 8-Pin JST SH
Extension, 150mm**

Approved by HW_ENG	
Document status	
DWG No. MCBL-00105-1	
Rev. A	Revision Date 05/02/24
Sheet 1	