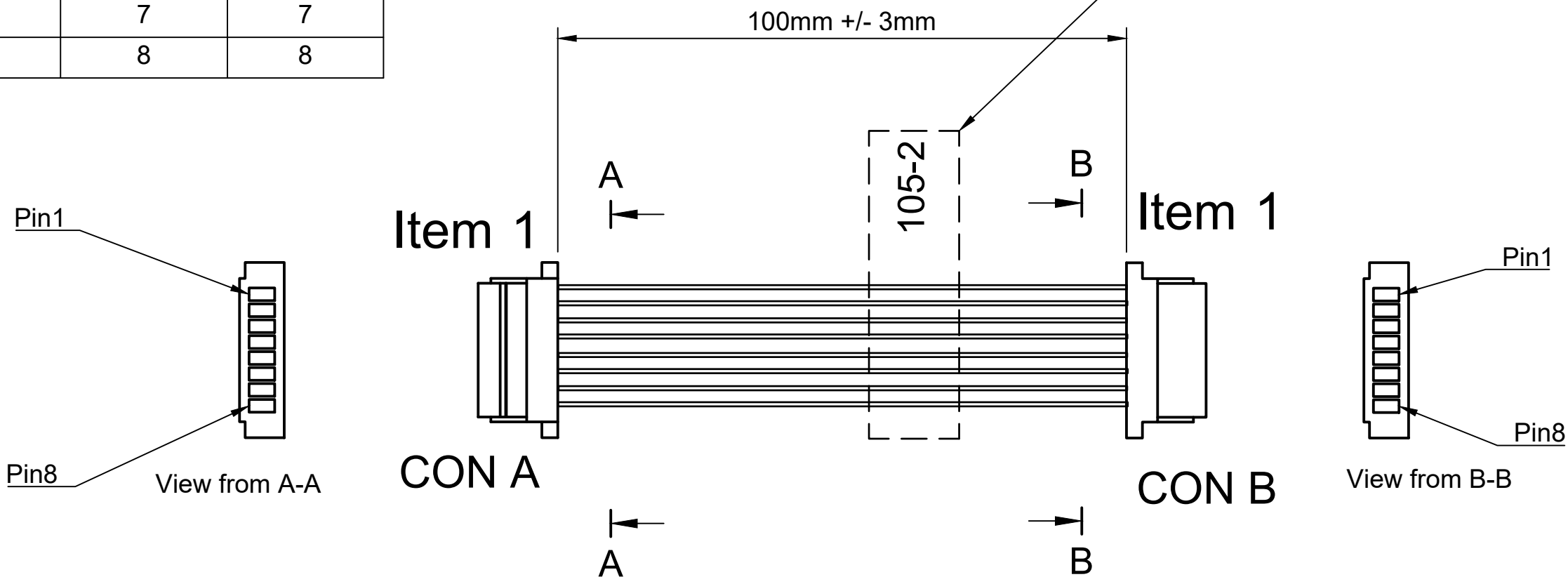


Pinout		
Signal	CON A	CON B
1	1	1
2	2	2
3	3	3
4	4	4
5	5	5
6	6	6
7	7	7
8	8	8

Label Specification (Item 4)	
Text	105-2
Text Color	Black
Label Color	Silver or White
Label Width	9mm +/- 2mm
Label Length	40mm +/- 2mm



PARTS LIST (NO SUBSTITUTIONS FOR LISTED MPNs UNLESS APPROVED BY MODALAI)

ITEM #	DESCRIPTION	MPN	QTY
1	CON A, CON B: JST 1.0MM HOUSING (with Protrusions), 8-POS	SHR-08V-S-B	2
2	Terminal JST SR Series 32-28AWG	SSH-003T-P0.2-H	16
3	Black PVC cable, 26AWG, 100mm		8
4	Label, see label specs above		1

<https://www.modalai.com/>



Design Copyright by ModalAI, INC.
 Document type: NF_CABLE_DWG
 Title: 8-Pin JST SH to 8-Pin JST SH Extension, 100mm

Approved by		HW_ENG
Document status		
DWG No.		MCBL-00105-2
Rev.	Revision Date	Sheet
A	05/02/24	1