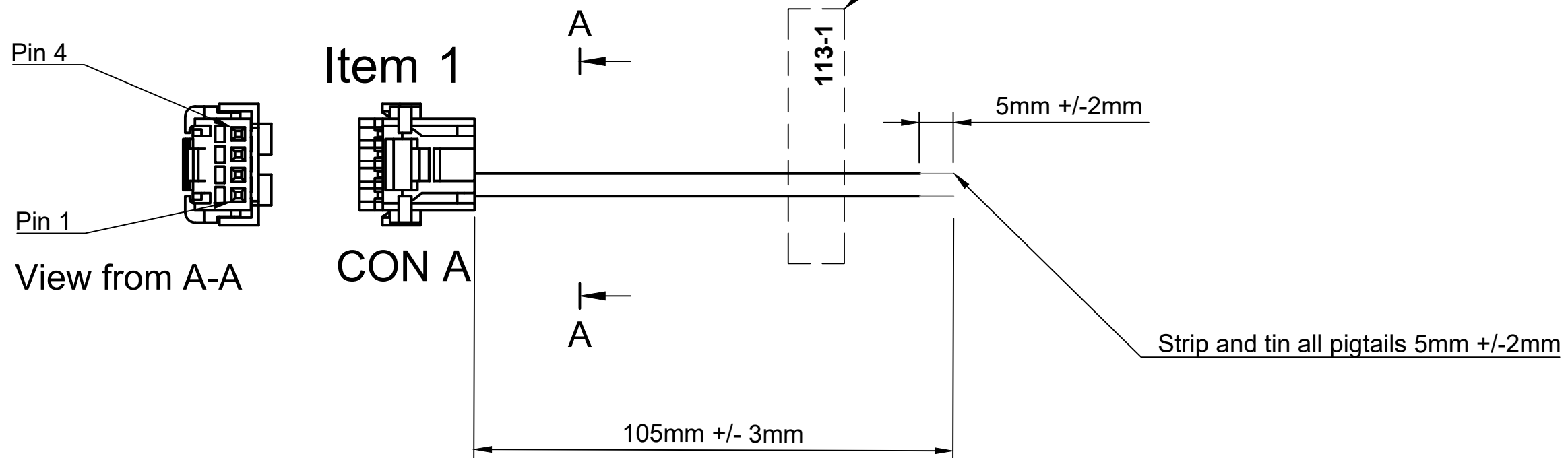


Pinout		
Signal	CON A	Pigtails
VDC	1	PG1
GND	2	PG2
	3	-
	4	-

Label Specification (Item 4)	
Text	113-1
Text Color	Black
Label Color	Silver or White
Label Width	9mm
Label Length	40mm



PARTS LIST (NO SUBSTITUTIONS FOR LISTED MPNs UNLESS APPROVED BY MODALAI)

ITEM #	DESCRIPTION	MPN	QTY
1	CON A: MOLEX, CONN RCPT HSG 4POS 2.0MM	2059792041	1
2	Terminal: MOLEX, 2.0 WTB SOCKET 22-24AWG CRIMP TIN	561349001	2
3	22AWG silicon wire, Black, Length = 105mm		2
4	Label, see label specs above		1

https://www.modalai.com/ 	Design Copyright by ModalAI, INC.	Approved by HW_ENG
	Document type NF_CABLE_DWG	Document status
	Title Power Cable, Molex 4-pin MicroOne To Pigtails, Sub-Pop	DWG No. MCBL-00113-1
	Rev. A	Revision Date 06/07/2024