










Encompassing style and class.

VisionLINE premium European fireplaces and venting systems are designed to meet the unique requirements of the New Zealand market.

This VisionLINE Taurus double-faced fireplace is distinguished by exceptional build quality and is available as either a freestanding or an inbuilt appliance.

***ECAN NO: CRC243466 - Inbuilt
CRC243465 - Freestanding**
Approved to National Environmental Standards (NES)

Key Features

-  High heat/long burn times
-  Landscape viewing window
-  Kiln brick linings
-  Low emission wood burner
-  10 year firebox warranty
-  Sealed external air kit
-  Zero Clearance (inbuilt) installation

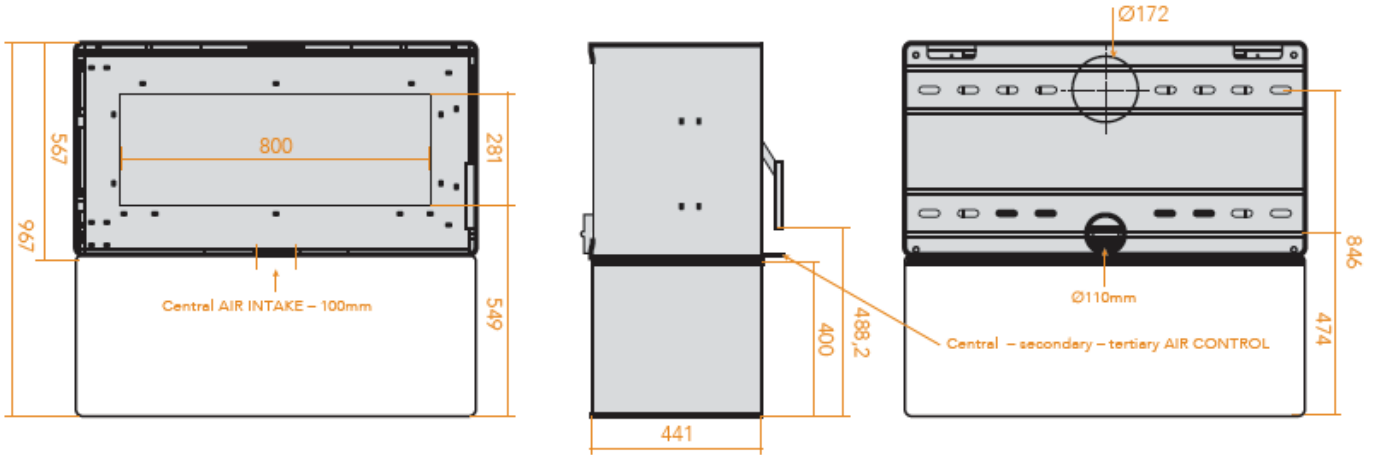
Product Specifications

(All dimensions in millimetres)

Firebox Models	Inbuilt & Freestanding SF
Emissions	1g/kg
Efficiency	65%
Fuel Source	Softwood
Weight	310kg including base

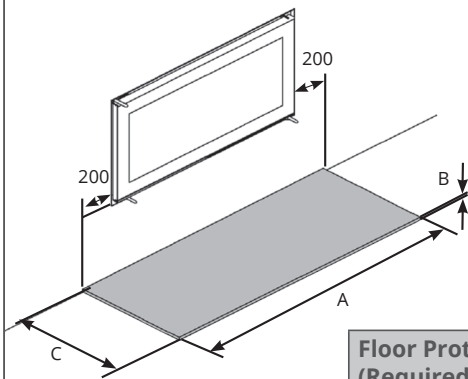
Product Dimensions

DESCRIPTION	Height	Width	Depth
Freestanding	567	1042	441
Inbuilt	567	1042	441
Bench	474	1042	441



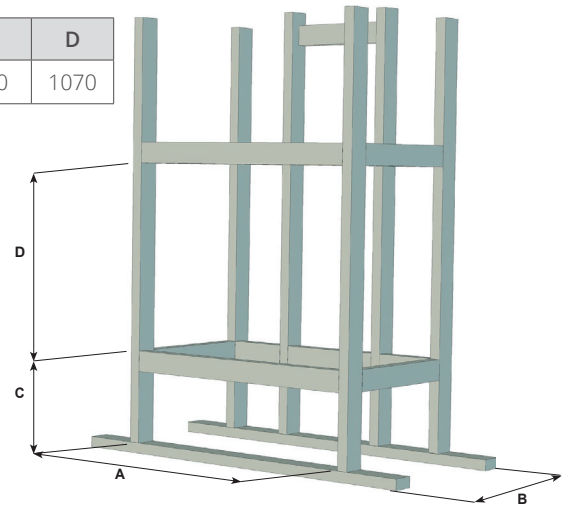
Installation Information

IMPORTANT: PLEASE REFER TO COMPREHENSIVE INSTALLATION INSTRUCTIONS PRIOR TO CONSTRUCTION AND INSTALLATION
 DOWNLOAD FROM: www.thefireplace.co.nz



INBUILT CAVITY	A	B	C	D
Taurus	1300	440	400	1070

Floor Protector (Required both sides)	A	B	C
Floor level or < 400mm	1240	50	500
Raised 400mm or >	1240	6	300



Options & Accessories

VisionLINE Air Flue System

A co-axial, room sealed insulated flue system for freestanding solid fuel fires. Designed to increase the performance and efficiency in the home when compared to a typical air cooled default flue. Ideal for passive homes.

VisionLINE Freestanding Fire

VisionLINE Bench - Steel bench for freestanding installations

Inbuilt ZCB - Zero clearance box for timber frame installations.

Outside Air Kit - Air for combustion



Exclusive New Zealand Distributor
The Fireplace Ltd
 12 Tawari Street, Mt Eden
 Auckland 1024, New Zealand
 Ph: 09 623 6990
 Email: sales@thefireplace.co.nz
www.thefireplace.co.nz

Your Local Retailer