



1300 N Texas Ave. Odessa, TX 79761

Phone: 1-800-337-3412 (tel:18003373412)

Fax: 432-335-5926

(Default.aspx)

Home (Default.aspx)

Products (Products.aspx)

Services (Services.aspx)

Sales (Sales.aspx)

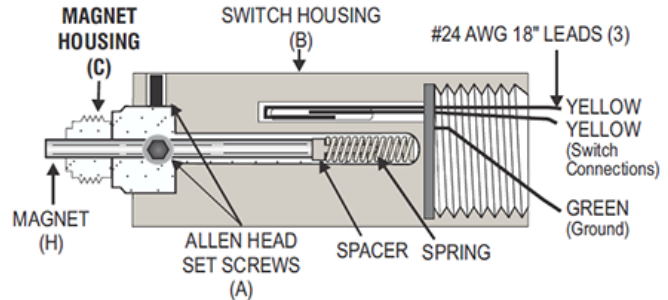
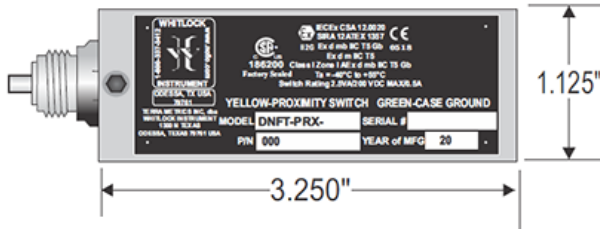
Certifications (Certifications.aspx)

Contact Us (ContactUs.aspx)

< Back to Proximity Switches (ProximitySwitch.aspx)

ray@noflo.com (mailto:ray@noflo.com)

DNFT-PRX



SPECIFICATIONS

Part Number.....000169
.....000170
.....000172
Material.....Stainless Steel, Aluminum
Temperature Range.....-40 C to +55 C
Switch Rating.....2.5 VA / 200 VDC ½ AMP
Epoxy Encapsulated.....UL LISTED EL-CAST VFR 641

The DNFT PRX was designed and rated for use in Class I Zone I environments, to be used outdoors in wet or dry locations, in altitudes under 2000 meters, with a Pollution Degree of 4, with no external power required.

RATINGS

RATINGS



IECEX CSA 12.0020
SIRA 12ATEX1357 **CE**
II 2G Ex d mb IIC T5 Gb **2813**
Ex d mb IIC T5
Class I Zone I AEx d mb IIC T5 Gb
Ta = -40°C to +55°C
Switch Rating 2.5 VA/240VDC
PRX 2.5 VA/200VDC MAX/0.5mA

INSTALLATION AND ADJUSTMENT PROCEDURE

1. Loosen all (2) Allen head set screws (A) on switch housing (B) and remove magnet housing (C). Do not remove magnet, spring, and spacer from magnet housing.
2. Remove end plug (D) from divider valve where proximity switch will be installed. Proximity switch can be installed on any available divider valve section.
3. Screw magnet housing (C) into end of divider valve. Torque to 15 foot pounds max. Be sure O-ring or metal gasket (F) is in place on magnet housing (C) if required.
4. Slide switch housing (B) all the way onto magnet housing (C). Connect ohmmeter to yellow switch leads. Do not tighten set screws at this time.
5. To properly adjust switch housing (B), divider valve assembly (G) must be cycling so magnet (H) is moving back and forth. This can be achieved with lubrication system functioning or by manually pumping clean oil through divider valve assembly with a hand pump.
6. If a cycle is not detected, adjustment is made by sliding switch housing (B) out in 1/16" increments. Continuity meter connected to yellow wires will indicate a switch closure. Adjust 1/16" out until correct adjustment is confirmed. Torque set screws to 25 inch pounds max.
7. Use 10 to 12 inches of flexible conduit on the switch housing for ease of adjustment or maintenance. All conduit and connections should be appropriate for area classification. CAUTION: Conduit and fittings must be supported to avoid bending magnet assembly.

Notice:When installing more than one DNFT, each DNFT must be wired to a separate alarm circuit of the control panel, annunciator, or PLC to simplify troubleshooting the lubrication system and DNFT.

Note:The DNFT shall be installed in such a way that there is a low risk of mechanical danger.

Warning:DO NOT OPEN when an explosive gas atmosphere is present.

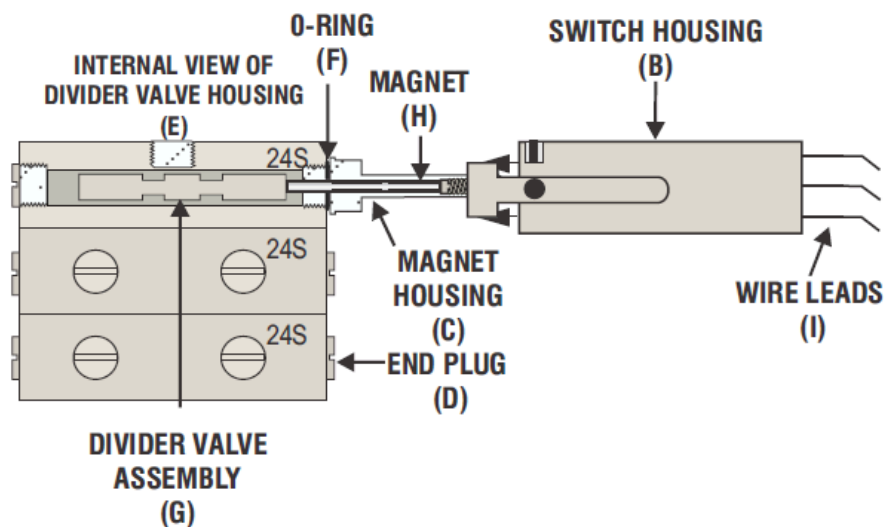
***NOTE A:**

Output PRX Wires: The yellow wires are used to connect the DNFT to a PLC, annunciator, or other control monitoring device. The alarm wires will open and close with each cycle.

Device Operation Wires: The yellow PRX wires will open and close with each cycle, these are used for a PLC input or for an external totalizer or counter.

Green Ground Wire: The green ground wire is used to ground the DNFT from stray voltages or currents floating around the natural gas compressor package.

RATINGS



Ordering Information		
Model	Description	Part Number
DNFT-PRX-D	DROPSA	000169
DNFT-PRX-L	LINCOLN - O-RING STYLE	000170
DNFT-PRX-TO	TRABON - O-RING STYLE "1995" AND LATER	000172

[< Back to Proximity Switches \(ProximitySwitch.aspx\)](#)



1300 N Texas Ave. Odessa, TX 79761
 Phone: **1-800-337-3412 (tel:18003373412)**
 Fax: 432-335-5926
 Email : ray@noflo.com (<mailto:ray@noflo.com>)