



# FRACO'S COMMON TOWER





**Common  
Tower**

## COMMON TOWER GOALS AND INNOVATIONS

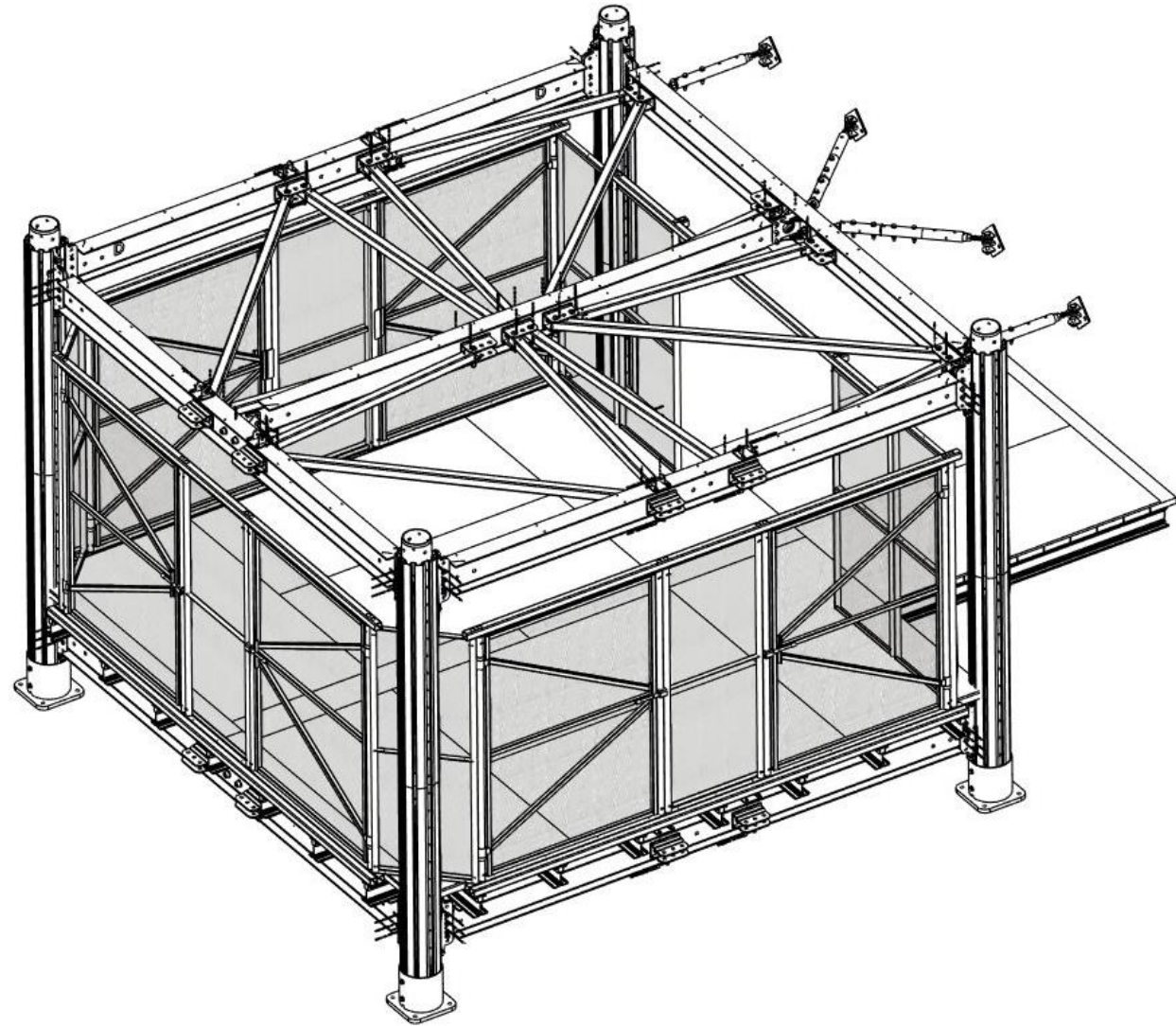
- ❑ Brings the best solution on the market for high rise installation
- ❑ Enable multiple machines of the same type to be use together as part of the same installation
- ❑ Less openings on the wall facade
- ❑ Less fasteners
  - ❖ Innovative sliding bracket assembly
- ❑ Faster installation
- ❑ Enable to be assembled by a minimum of workers and machinery
  - ❖ Light weighted components, mostly made of aluminum
- ❑ Safer use and installation
  - ❖ Easily installed protection meshes
  - ❖ Chain retaining pins to prevent falling fasteners



**Common  
Tower**

## MAIN COMPONENT

- Column
- Flooring
- Anchor
- Protection
- Fastening

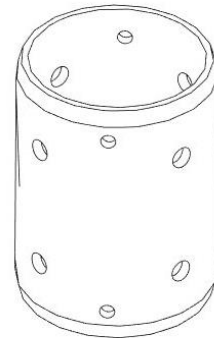
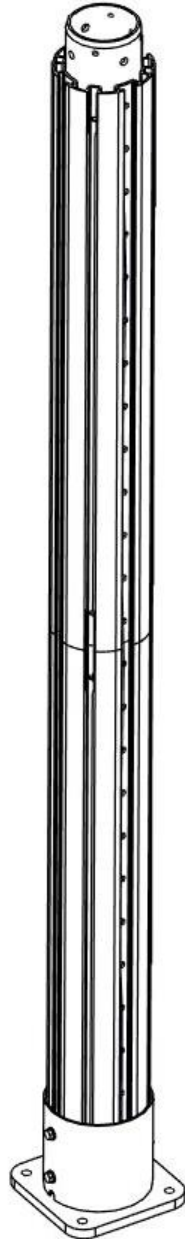




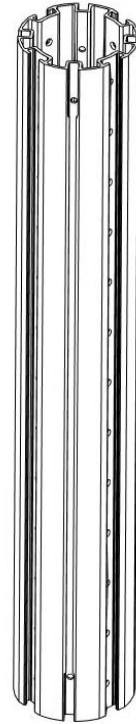
**Common  
Tower**

**COLUMN**

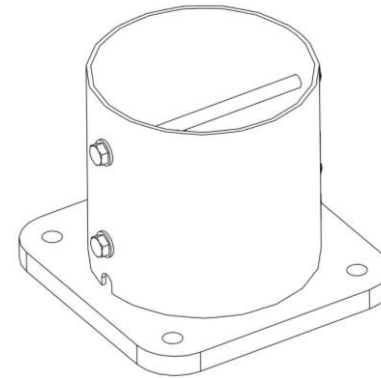
**COMPONENTS**



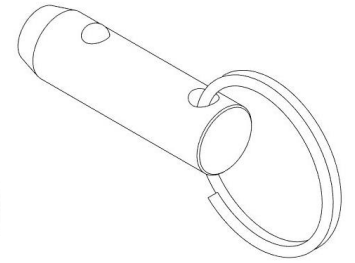
Spigot



Leg section



Base feet



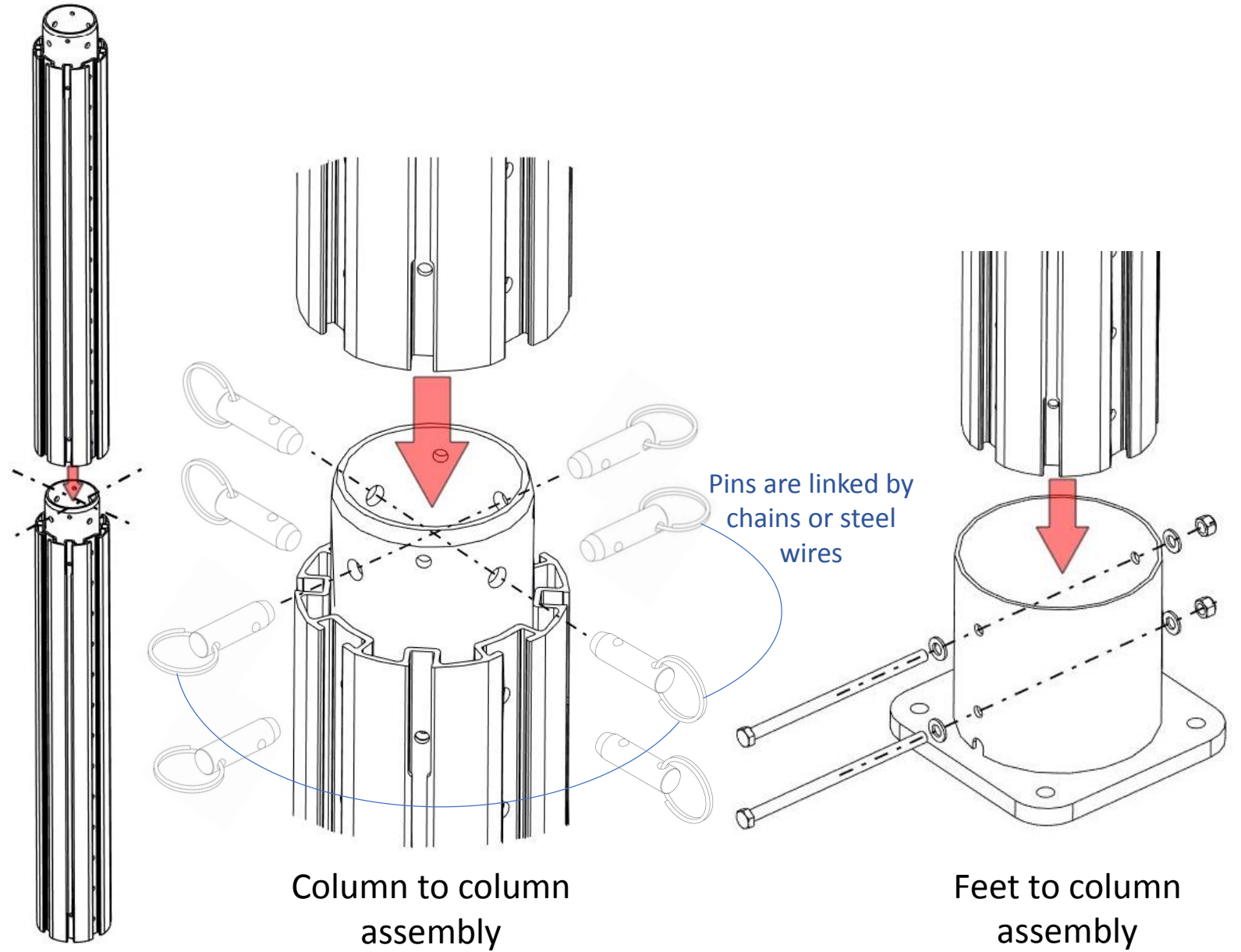
Hitch pin  $\varnothing$  5/8"



Common  
Tower

## COLUMN

### □ INSTALLATION

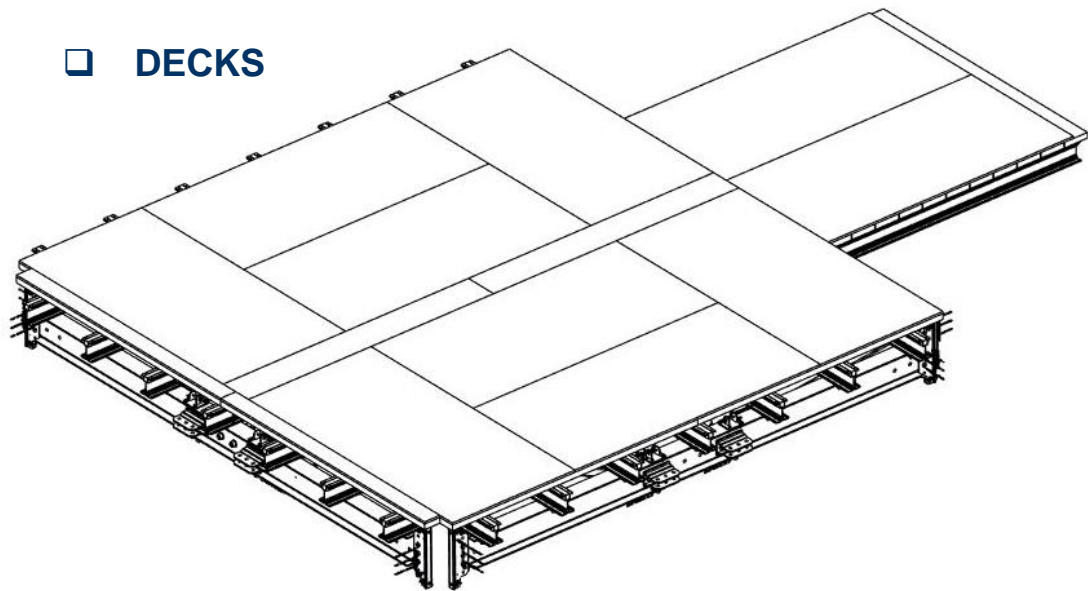




Common  
Tower

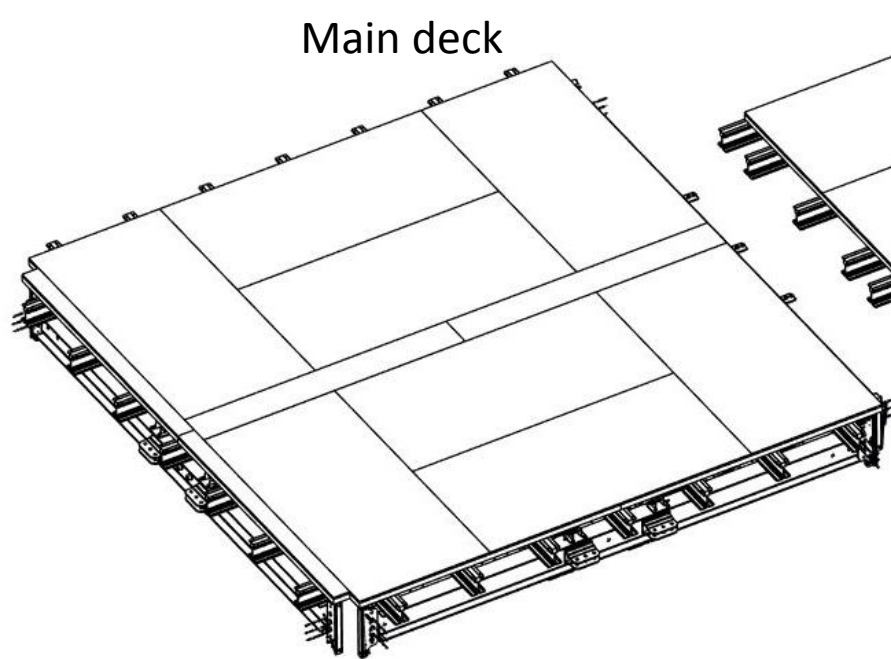
FLOORING

□ DECKS



Main deck

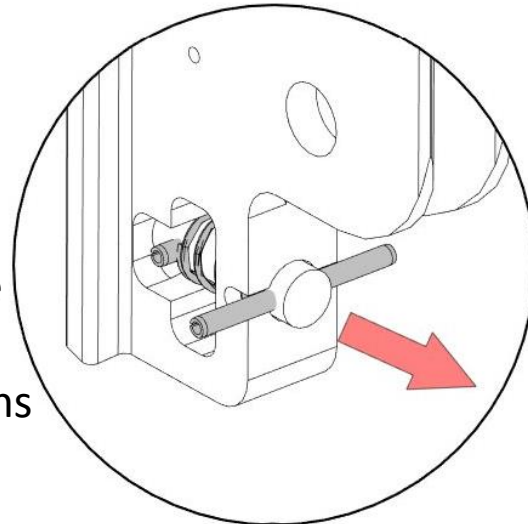
Deck extension



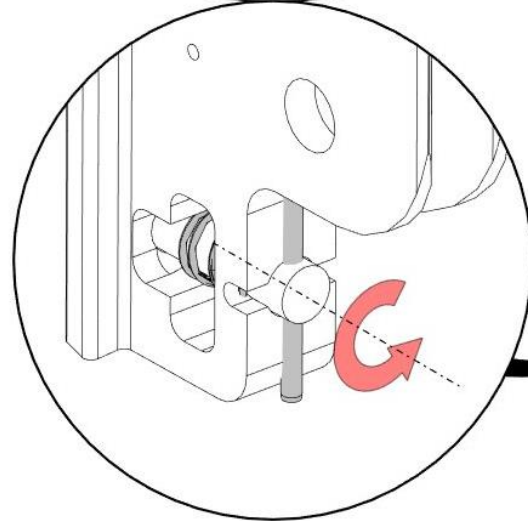
### FLOORING

#### □ SLIDER

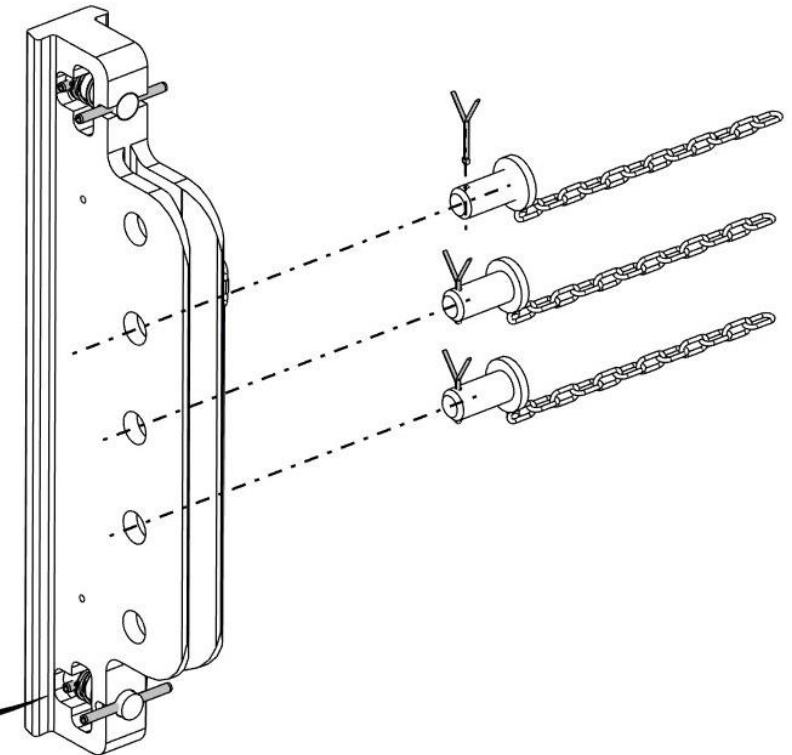
1. Pull to  
disengage  
spring  
loaded  
pins



2. Turn to  
lock in  
place



Chains are welded to the sliders and  
sliders assembly pins



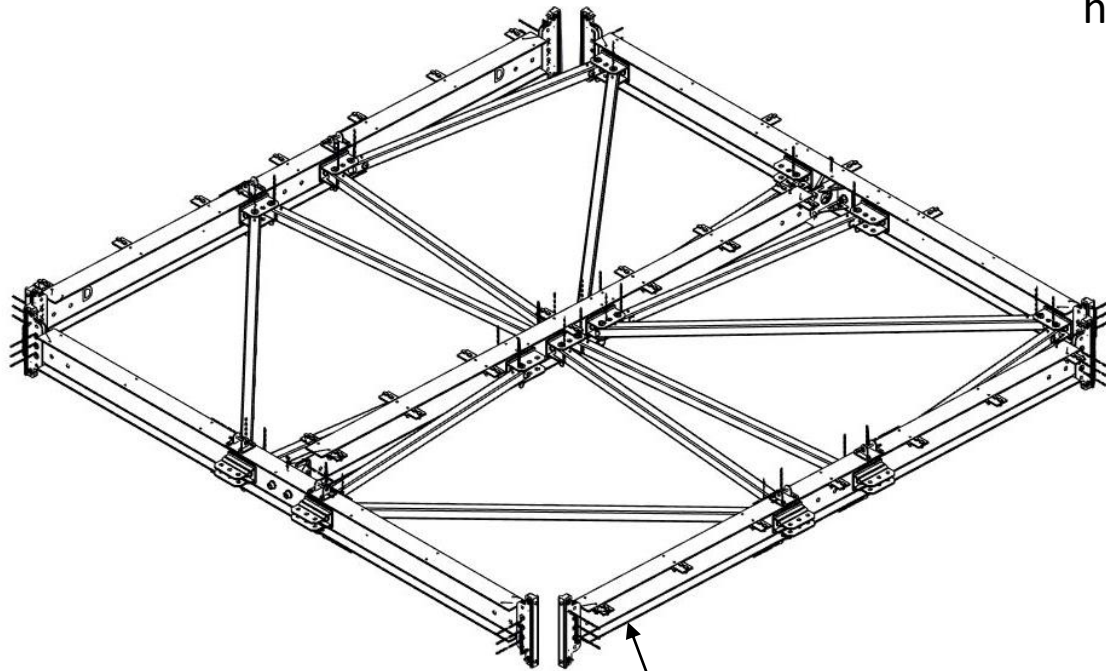
Disengage spring loaded pins to permit slider  
translation trough the column tracks



Common  
Tower

## FLOORING

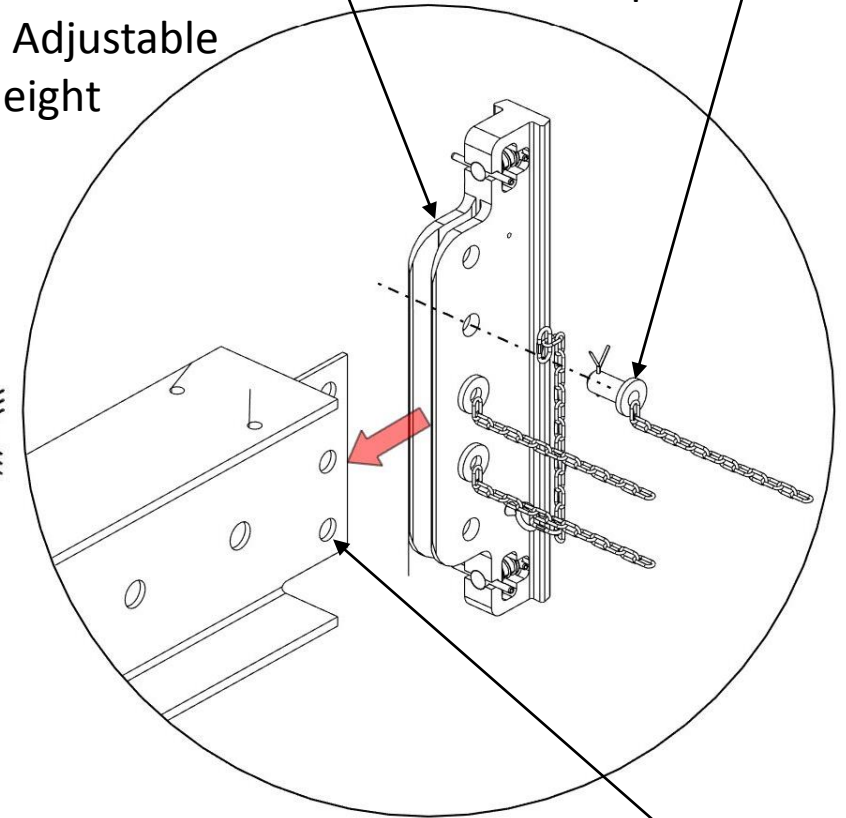
### ❑ SLIDER INSTALLATION



Deck beams

Slider fixed on the end of the four deck beams. Adjustable height

Chained installation pins



3" adjustability between pin axes for a total of 6" adjustability of the slider

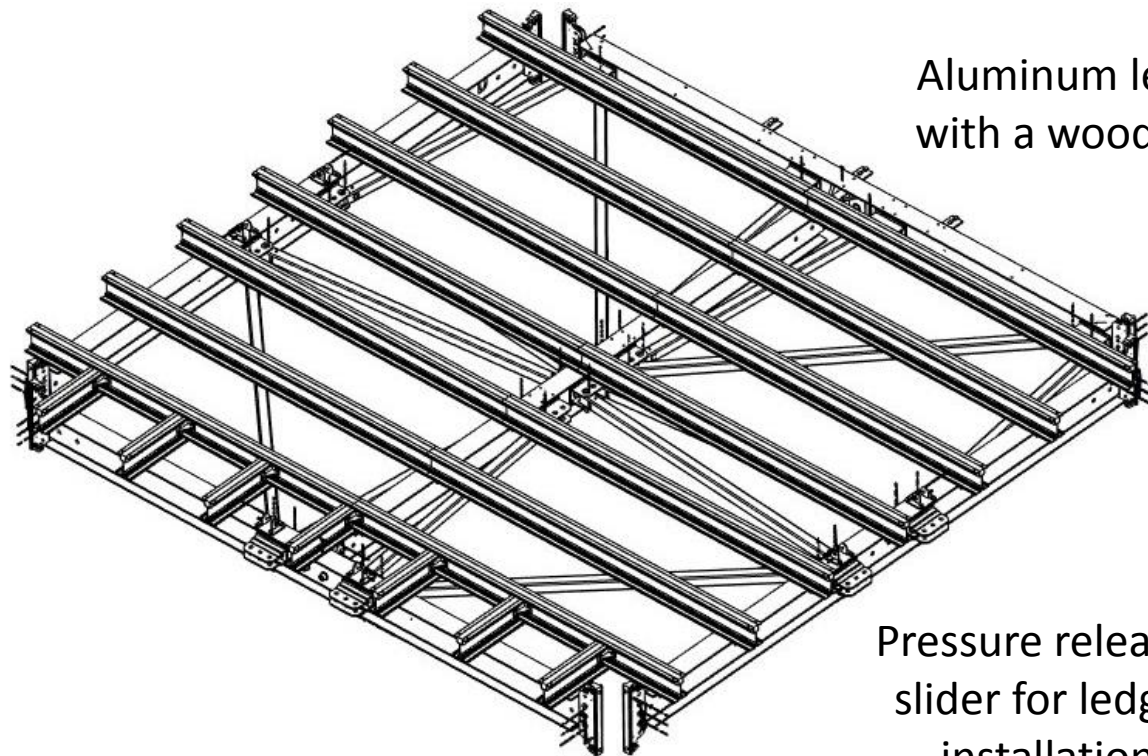




Common  
Tower

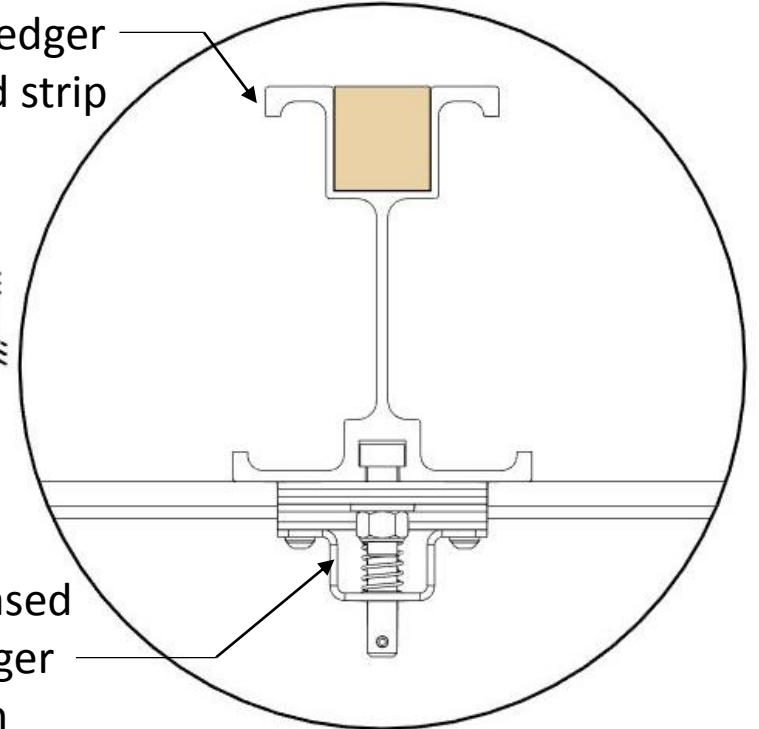
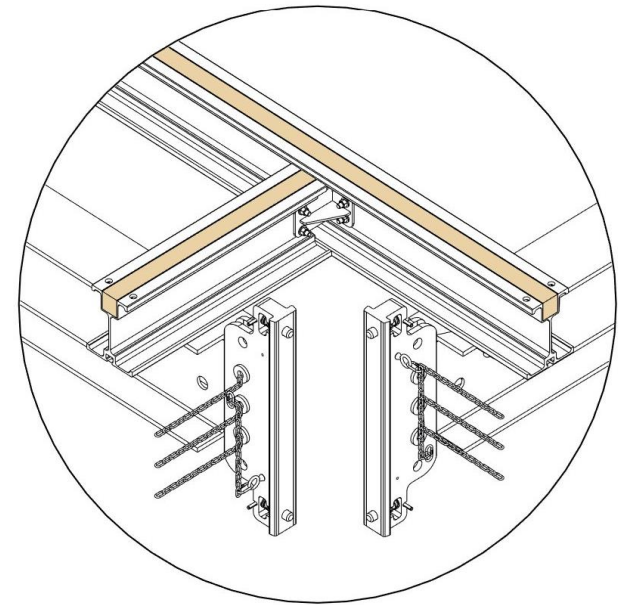
## FLOORING

### □ ALUMINUM LEDGER



Aluminum ledger  
with a wood strip

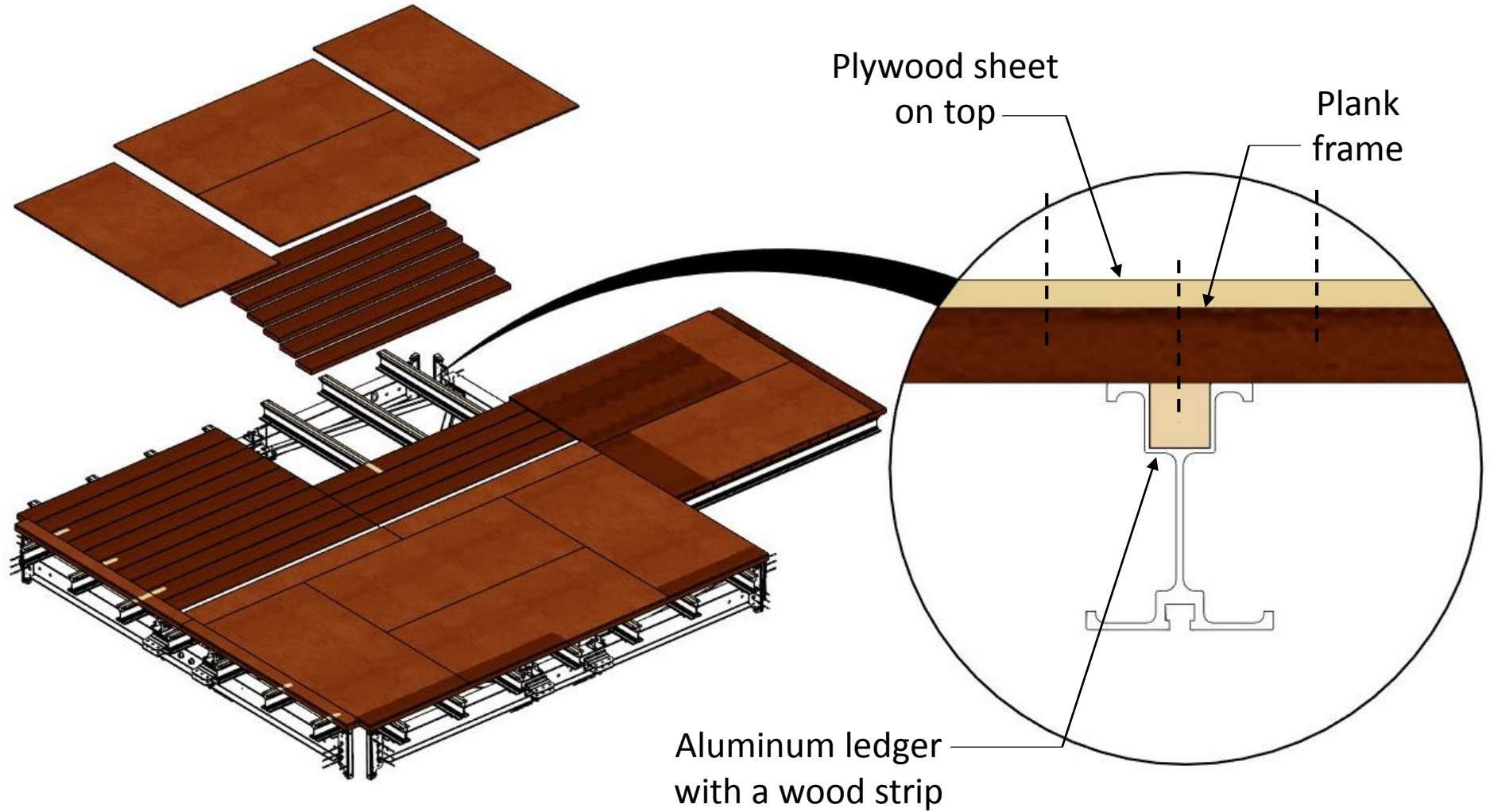
Pressure released  
slider for ledger  
installation





Common  
Tower

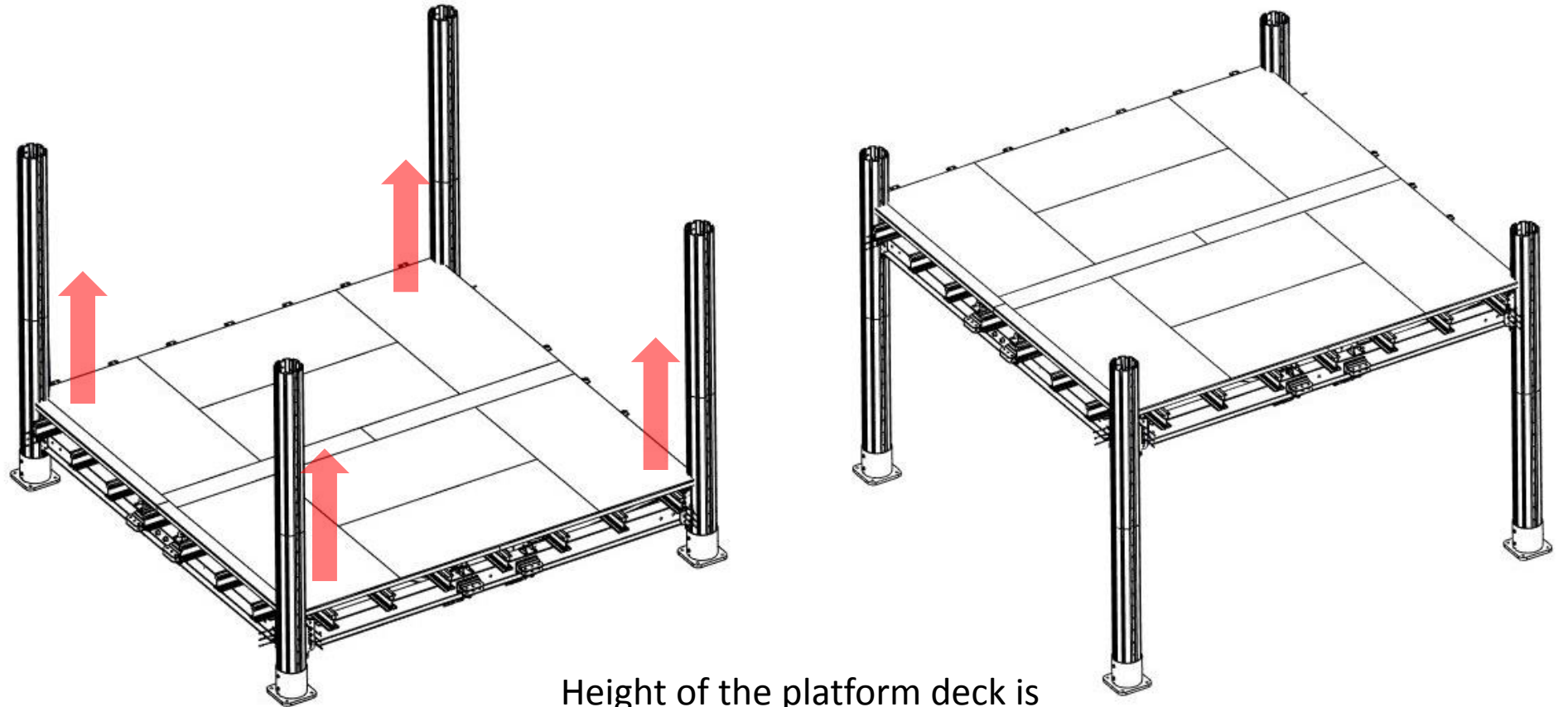
## FLOORING





Common  
Tower

## FLOORING

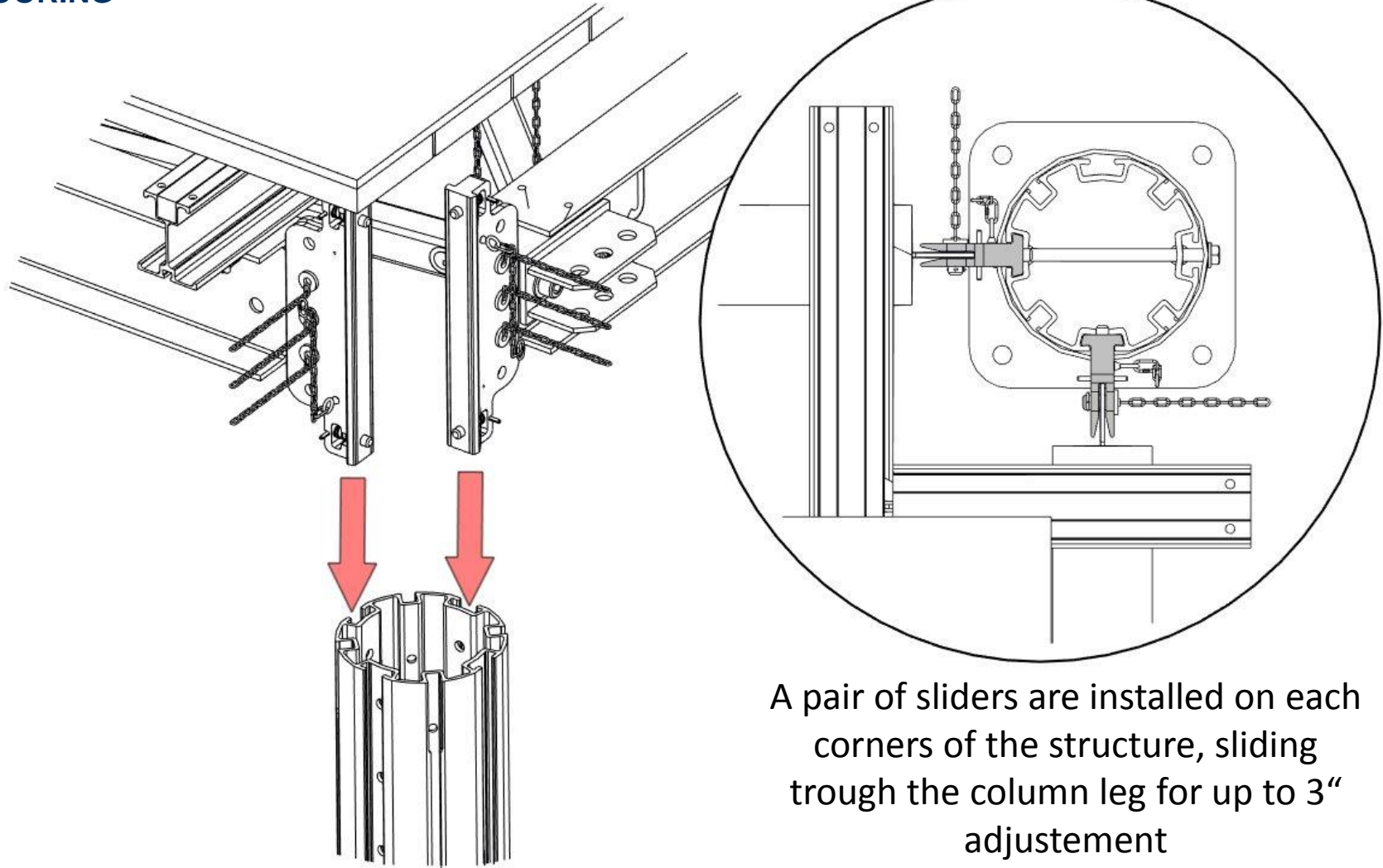


Height of the platform deck is  
adjustable by translating the 8 sliders  
through the column legs



Common  
Tower

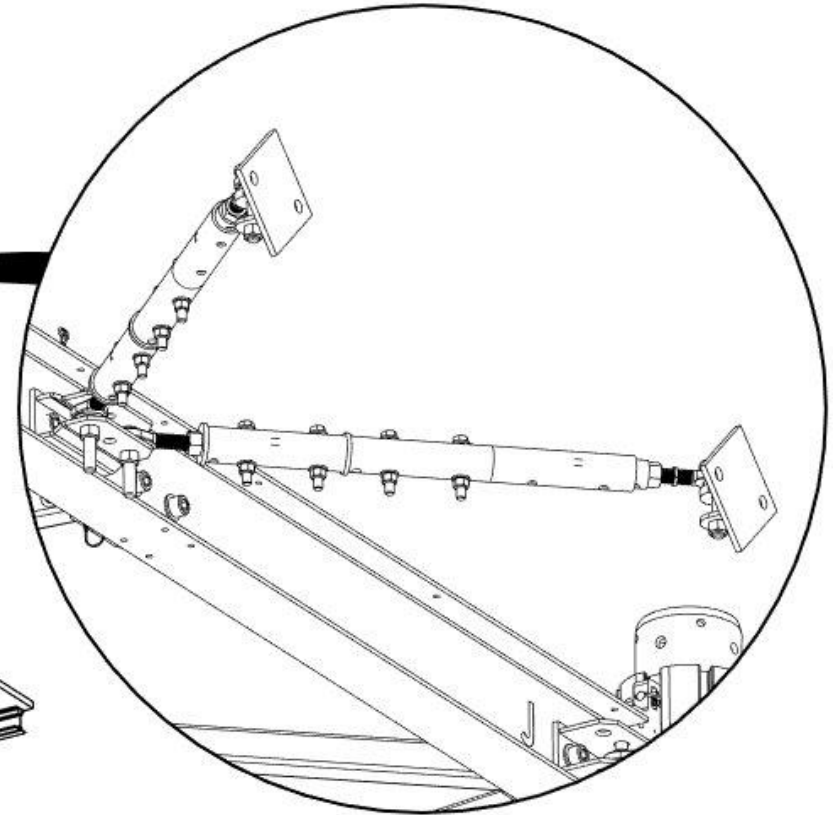
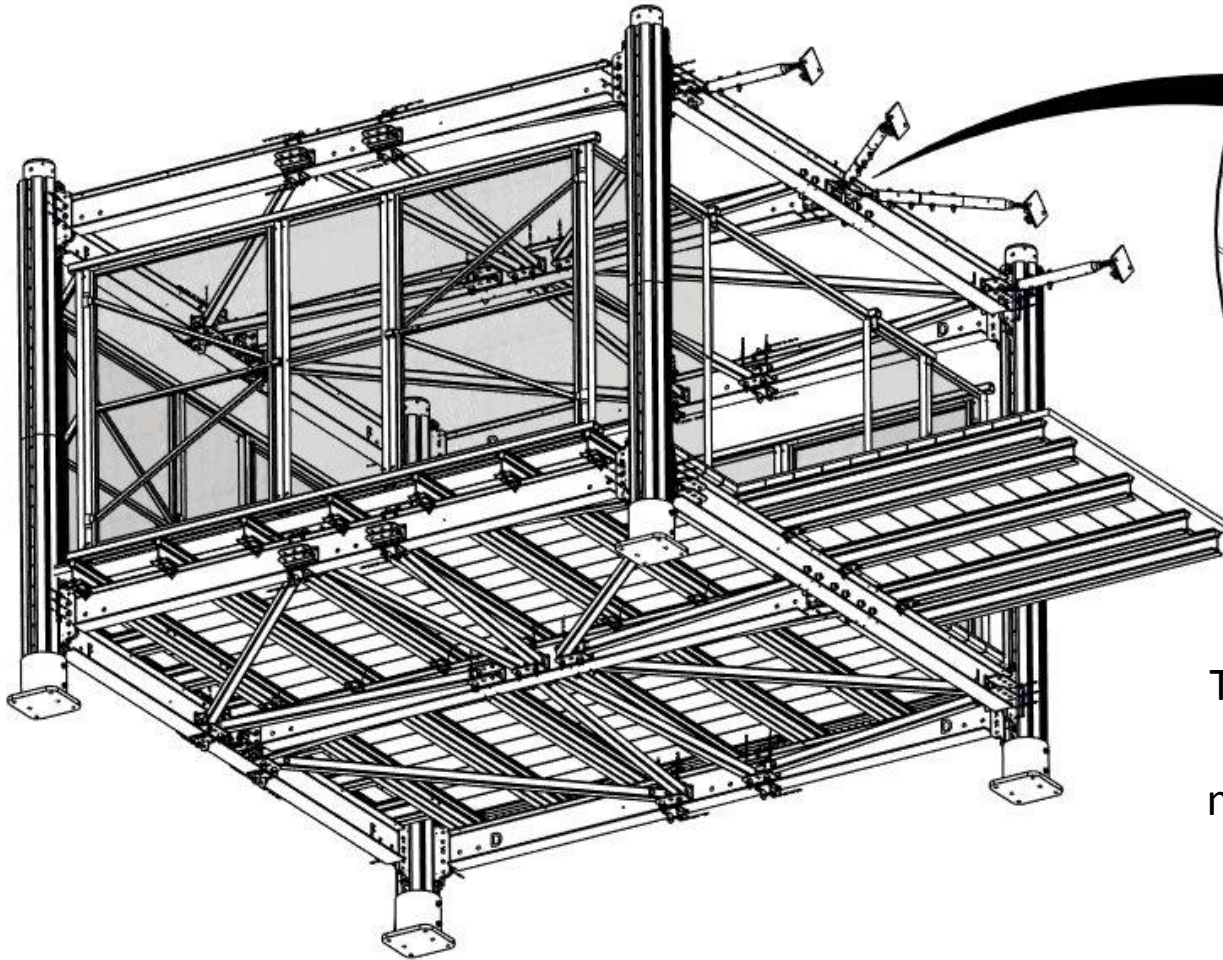
## FLOORING





Common  
Tower

## ANCHOR

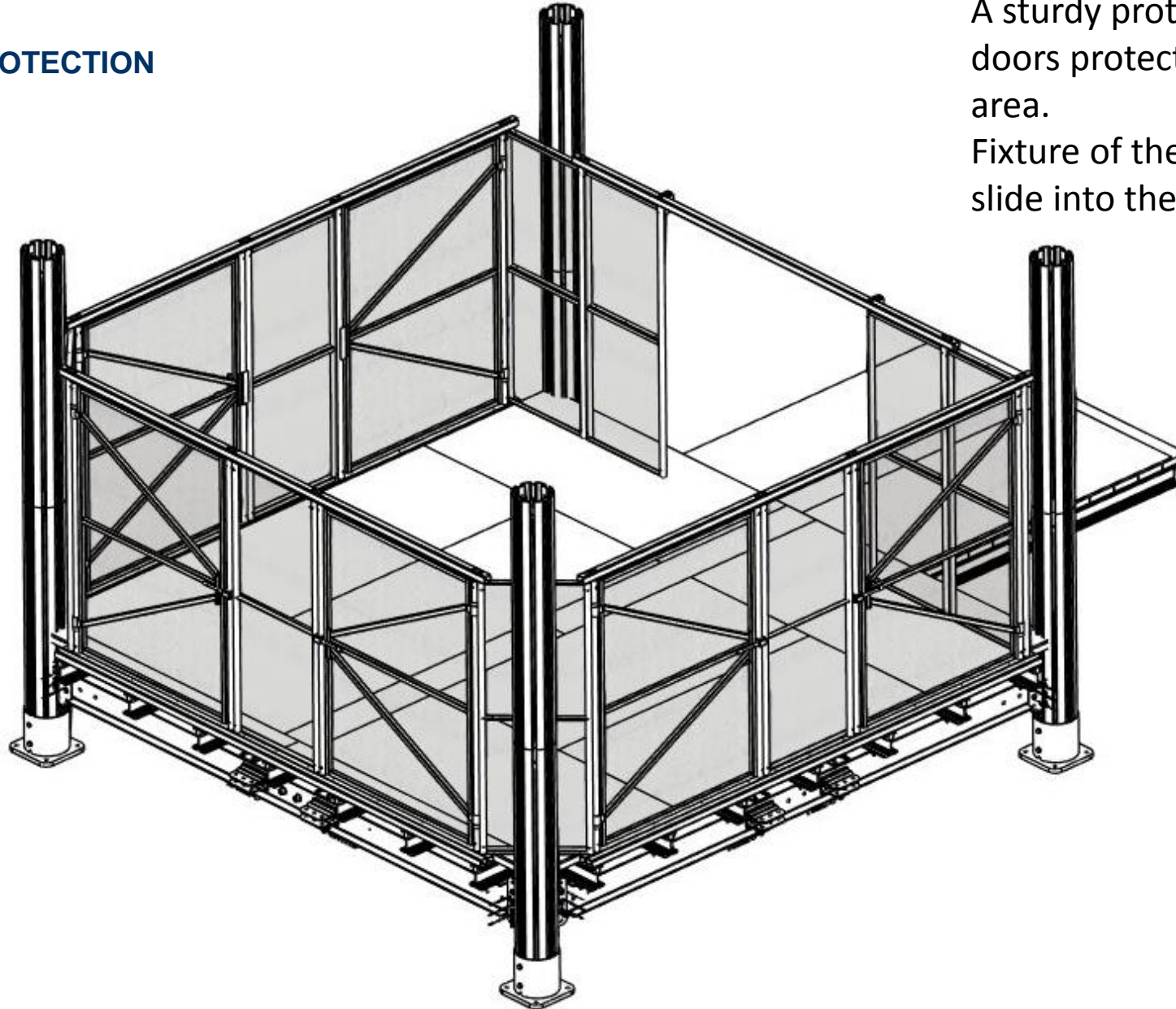


The tower structure may be anchored to the wall of the building with multiple configurations of turnbuckles



**Common  
Tower**

## PROTECTION



A sturdy protection mesh and doors protect the whole landing area.

Fixture of the protection mesh slide into the column leg tracks.



Enable the installation of up to 6 machines of the same type on the same common tower structure, all able to share a single access points to the building.



Transport platform



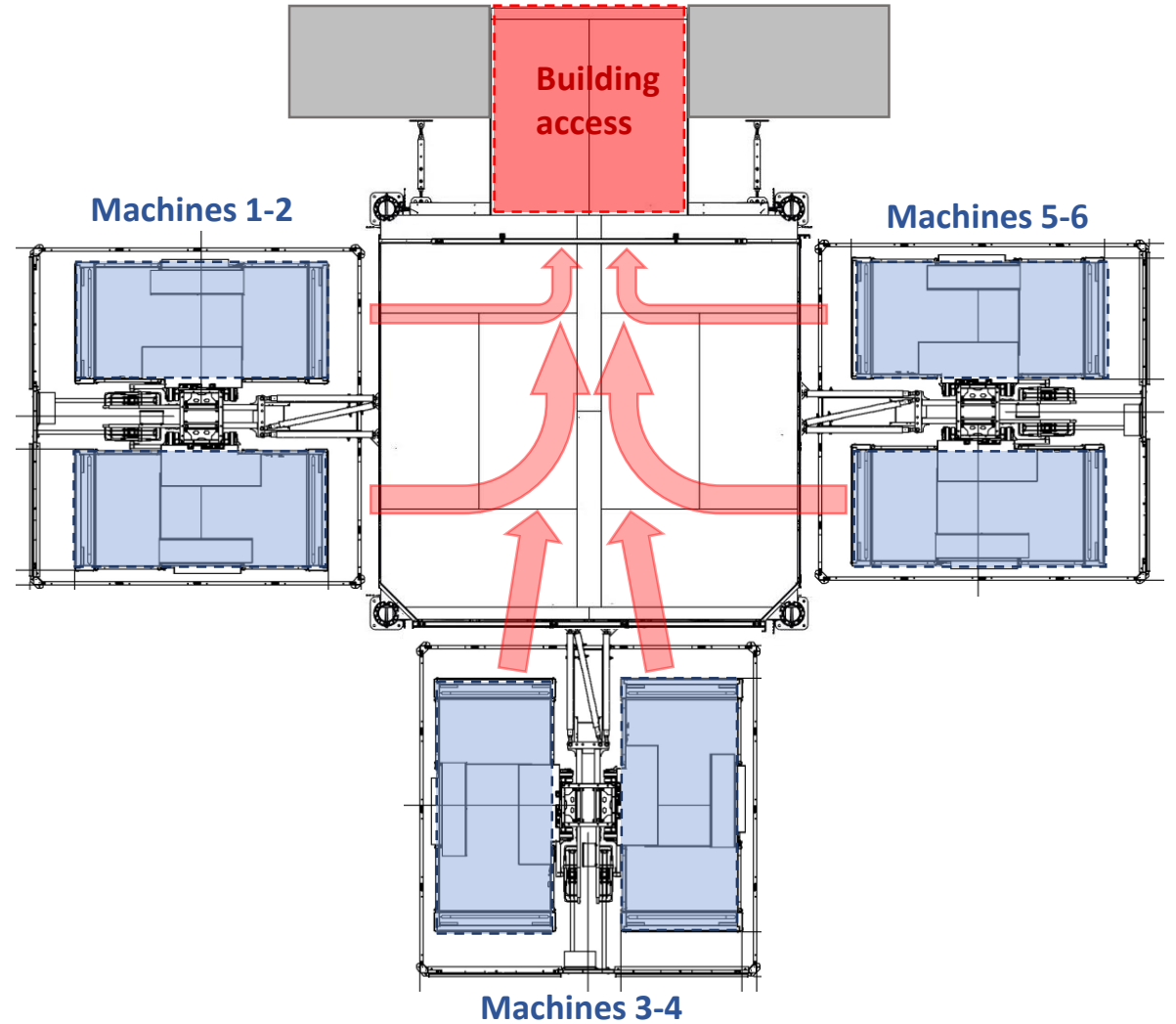
Construction elevator



## COMMON TOWER



Typically, you need one row of openings per machine...



But with the common tower structure, up to 6 machines may share a single access to the building.



**FRA**  
**CCO**

The logo consists of the letters 'FRA' in a bold, blue, sans-serif font on the top line, and 'CCO' on the bottom line. The 'A' in 'FRA' and the 'O' in 'CCO' are stylized to contain white arrows. The 'A' contains an upward-pointing arrow, and the 'O' contains a downward-pointing arrow. The arrows are centered within their respective letters and point towards each other, meeting at a central point between the two rows of text.