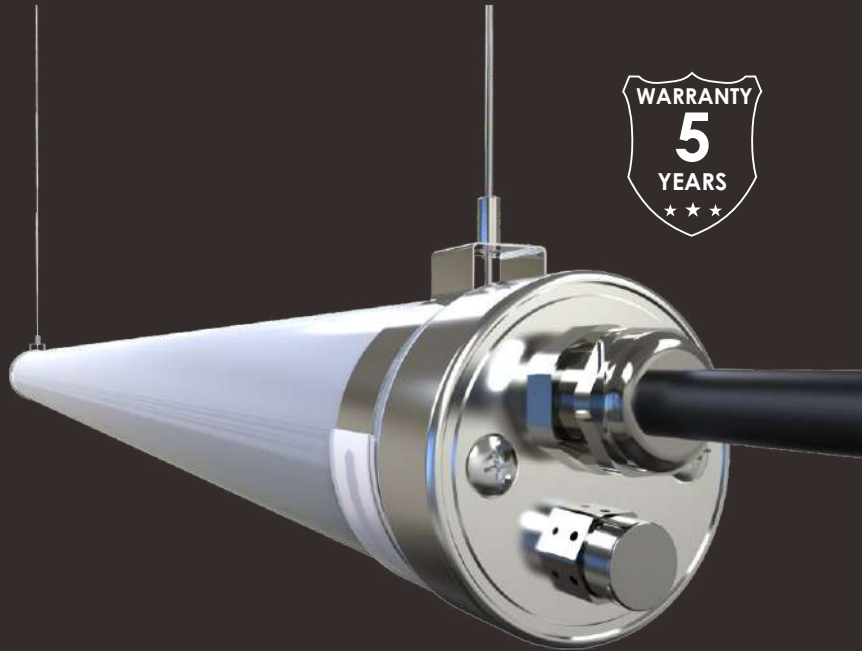


SL- Food Grade LED Tube Light IP69

2 0 2 5



— Quality Defender —

Features

- IP69K Waterproof, IK10 Protection, 94V0 materials
- Patent cylinder design, PC/PMMA housing & Aluminum board & Stainless steel caps and clips
- Linkable, S316 components
- UL class P certified flicker free driver
- High efficacy, 130~145 lm/w (±10%)
- With aluminum rebreather
- L80B10 lifespan of 50,000 Hours (@ Ta = 25°C)
- PC material – UV resistance
- PMMA material – Corrosion resistance
- Fit for both indoor and outdoor applications



Data Sheet

	Article Number	Power (W)	Lumen(lm)	Working Current(mA)
PC & PMMA	SL-P69X2-20-X	20	2600	450
	SL-P69X4-36-X	36	4680	850
	SL-P69X5-45-X	45	5850	1050
PC	SL-P69X2-30-X	30	3900	700
	SL-P69X4-50-X	50	6500	1200
	SL-P69X5-50-X	50	6500	1200
	SL-P69X5-60-X	60	7800	1400

* Where the first "X" represents diffuser type, it can be F(Frosted), T(Transparent)
 The number after the first "X" represents length of light. "2"= 2ft, "4" = 4ft, "5" = 5ft
 The second "X" represents CCT, it can be W(3000K/4000K), P(5000K), C(6000K)

Efficacy Version

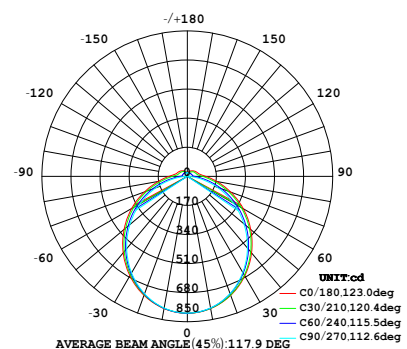
Cover	Standard	Premium
Frosted PC	130lm/w	145lm/w
Frosted PMMA	135lm/w	150lm/w

Please note:

1. Above efficacy based on 4000K
2. All values are based on an ambient temperature of 25°C
3. Efficacy tolerance is ±10% and wattage tolerance is ±10%
4. If CRI>90, light efficiency will be reduced by 10-15%

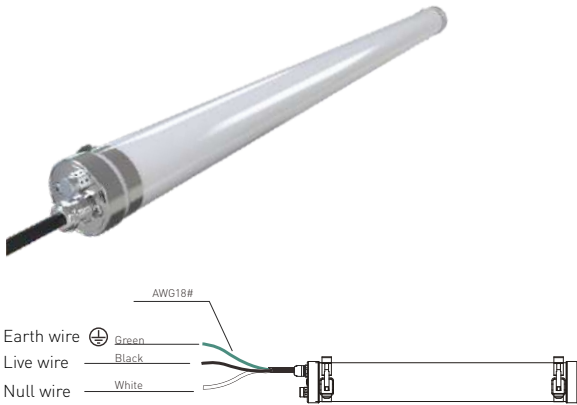
Light Source	SMD2835
CRI	>80
Beam Angle	120°
CCT	3000K/4000K/5000K/6000K
AC Input	100-277V 50/60Hz
DC Output	30-40V
SDCM	<4
Waterproof	IP69K
IK Rate	IK10
Power Factor	>0.95
Warranty	5 Years
Operating Temperature	-20~+40°C

LUMINOUS INTENSITY DISTRIBUTION DIAGRAM

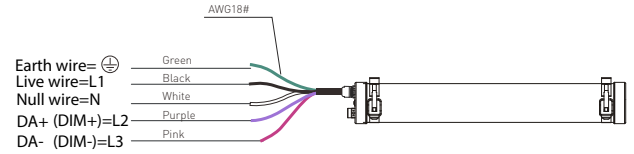


Connection Methods

1 Standard



2 DALI & 0/1-10V Dimmable



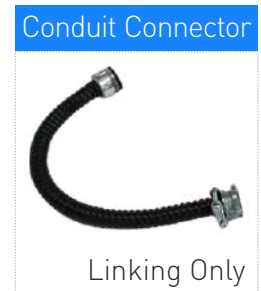
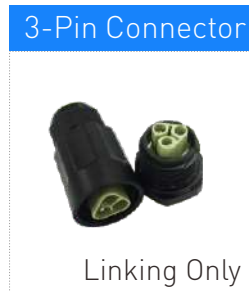
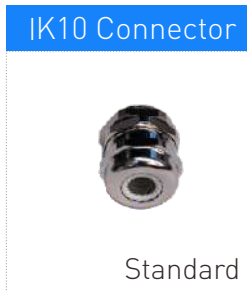
Available Dimming Methods

Suggested Compatible Dimmers for DALI:

Tridonic [European market]

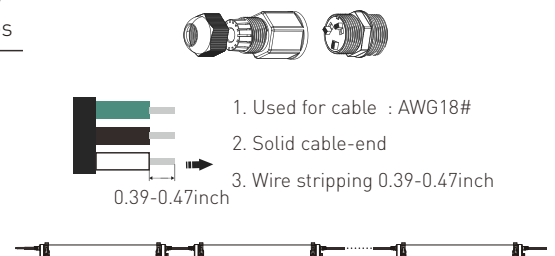
Lutron & Leviton [American market]

Philips Dynalite & Clipsal [Australian market]

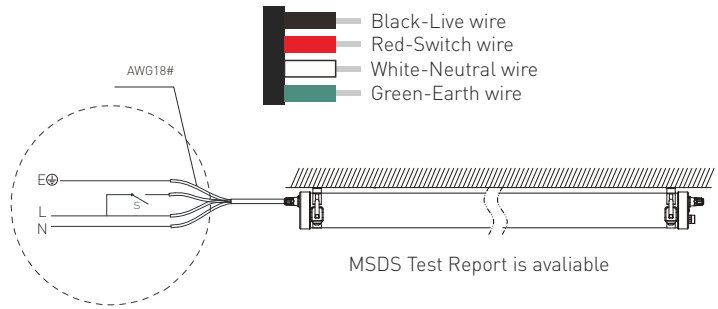


Available Quantity in Series Connection

Power (W)	Input Voltage (V)	Maximum Quantity Connecting in Series	Input Voltage (V)	Maximum Quantity Connecting in Series
20	110	16pcs	277	41pcs
30	110	11pcs	277	27pcs
36	110	10pcs	277	26pcs
45	110	7pcs	277	18pcs
50	110	6pcs	277	16pcs
60	110	5pcs	277	13pcs



Emergency Series



Article Number	Emergency Power	Battery Parameters
SL-P69X2-20-XB	3W	6.4V 1800mAh
SL-P69X4-36-XB	3W	6.4V 1800mAh
SL-P69X5-45-XB	3W	6.4V 1800mAh
SL-P69X2-30-XB	3W	6.4V 1800mAh
SL-P69X4-50-XB	3W	6.4V 1800mAh
SL-P69X5-50-XB	3W	6.4V 1800mAh
SL-P69X5-60-XB	3W	6.4V 1800mAh

Remark:

- 1 Indicator color (Green – Recharging & Working, Yellow – malfunction)
- 2 Battery can be recharged at least 500 times. In order to maintain the battery well it must be discharged every 3 months.



Rechargeable



Emergency Time



3 Years Guarantee

Dimension

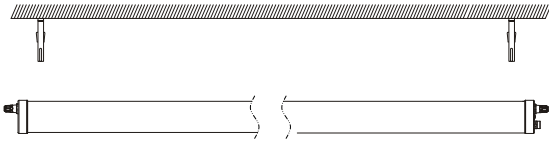


Packaging

Length	Carton Size (6pcs/ctn)	N.W.(CTN)	G.W.(CTN)	20'GP	40'GP	40'HQ
2ft/60mm	29.53*9.84*7.09inch (750*250*180mm)	16.53lb (7.5Kg)	18.74lb (8.5Kg)	4986pcs	10368pcs	11520pcs
4ft/1200mm	53.15*9.84*7.09inch (1350*250*180mm)	25.35lb (11.5Kg)	29.76lb (13.5Kg)	2592pcs	5190pcs	5760pcs
5ft/1500mm	64.96*9.84*7.09inch (1650*250*180mm)	31.97lb (14.5Kg)	37.48lb (17Kg)	1950pcs	4536pcs	5040pcs

Installation

① Ceiling Mounted Installation



* Ceiling Mounted accessories are ShineLong Configuration.

Standard



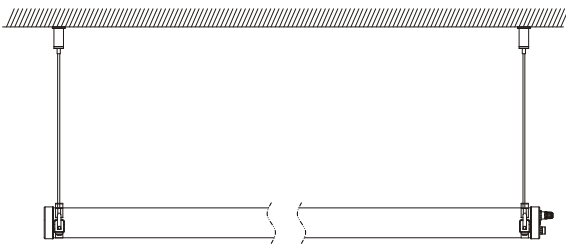
#316 Bracket

Optional



Rotatable Buckle
(#316 Stainless steel)

② Suspending Installation



* Suspended accessories need to be paid additionally.

Accessory part



#316 Bracket



Suspension wires

Fixing nuts

Fixed bushings

Fixing screws

Self-tapping screws

Slotted plastic screws

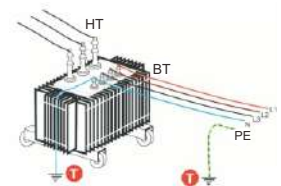


All the operations must be in the condition of power off



The luminaires are intended for indoor use or under shelter for outdoor use.

1. Please note that DO NOT use this product in the following places/application. The place has a large quantity of chemical corrosive substance, such as: chemical plant and stockyard etc.
2. The place has poor temperature conditions, the applicable operating temperature of the lamp is $-20\sim+40^{\circ}$, Sharply temperature variation, which would increase the risk of damage to the lamp.
3. Pls note that lamp must be reliable grounding. Make sure that your application is completely connected to ground firstly. Otherwise, it will do heavy damage to lamp if lamp's earth wire can not be efficiently connected to the ground.



Applications



Boiler Room



Car Wash



Food Processing Plant



Farm



Train



Mashroom house



Electroplating Factory

