



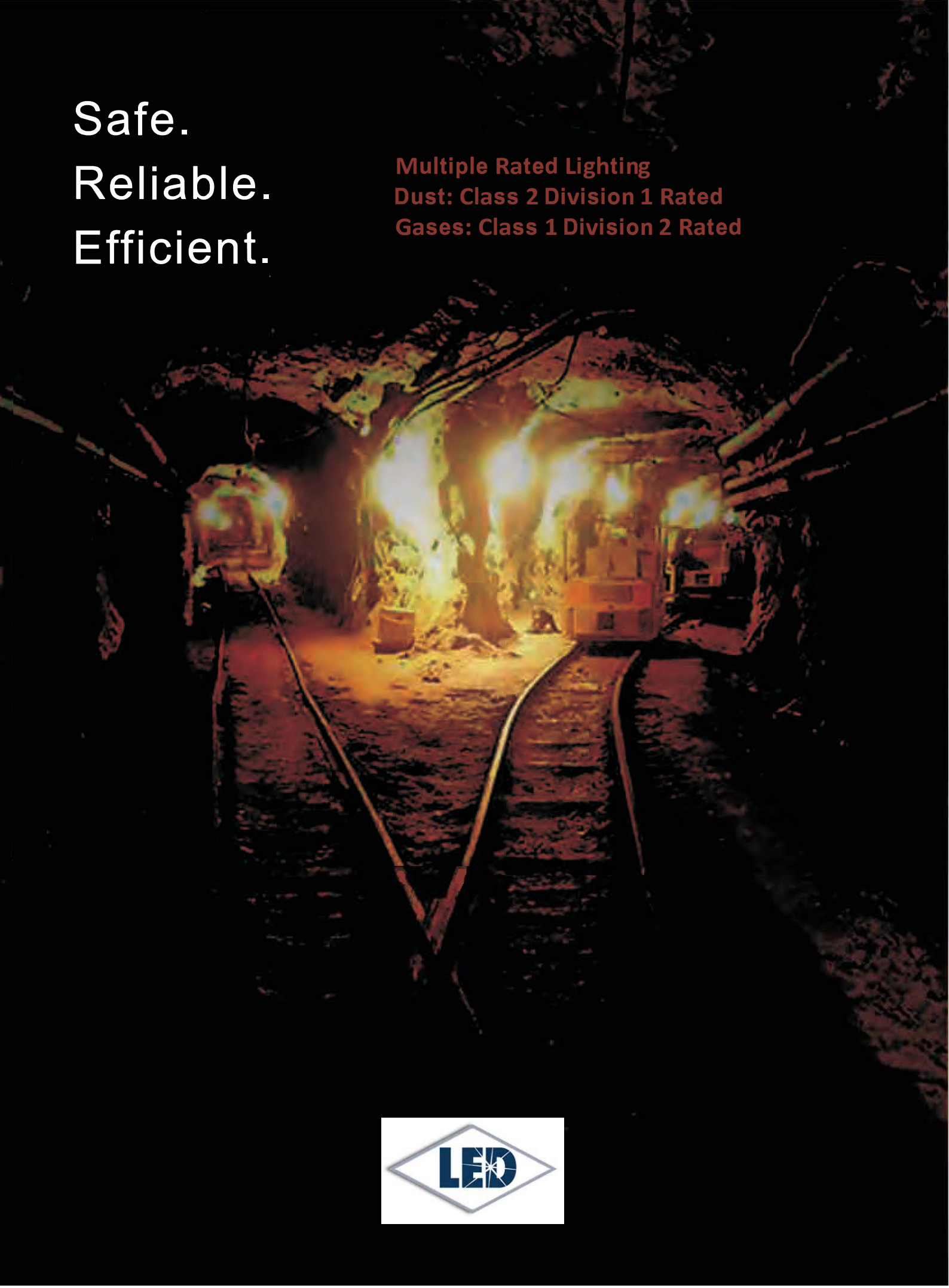
Hazardous Location Light



EXH - C2D1 LED

Safe.
Reliable.
Efficient.

Multiple Rated Lighting
Dust: Class 2 Division 1 Rated
Gases: Class 1 Division 2 Rated





H Series

Applications

This luminaire can be used as spot light, down light and tunnel light which can provide general illumination in hazardous locations, such as:

- Refinery factory
- Oil and gasoline loading dock
- Gas station
- Painting manufacture workshop
- Pumping station
- Metal Smelting Plant
- Mining
- Ocean platform
- Aerospace
- Chemical plant
- Vessel
- Military
- Flour mill
- Distillerie
- Power station
- Other high humidity, high temperature, dusty location...

Features

- High efficacy: up to 140lm/W
- CRI>70
- Surface mounting and pendant installation
- Wide and narrow optics for uniform illumination
- Copper free aluminum
- High vibration resistance

Ratings and Certifications

- **NEMA 4X, IP66**
- **UL1598/UL1598A/UL844**
- **CSA C22.2 No.137/No.250.0**
Class I, Division 2, Groups A,B,C,D
Class II, Division I, Groups E,F,G
- **Class II, Division II, Groups E,FG**
Class III
- **Marine and Wet Locations**
- **IECEX**
- **ATEX**
- **5 years or other warranty period specified in agreement**
- **L70 rating for more than 150000 hours**





Typical Model Specification

Model	Wattage	Color Temp	Voltage	Lumens	Warranty	CRI
EX-10W H2YZDA	10	4000K-5700K	AC100-277V or AC200-480V	1400	5 years	70
EX-20W H2YZDA	20	4000K-5700K	AC100-277V or AC200-480V	2800	5 years	70
EX-30W H2YZDA	30	4000K-5700K	AC100-277V or AC200-480V	4200	5 years	70
EX-30W H4YZDA	30	4000K-5700K	AC100-277V or AC200-480V	4200	5 years	70
EX-40W H4YZDA	40	4000K-5700K	AC100-277V or AC200-480V	5600	5 years	70
EX-50W H4YZDA	50	4000K-5700K	AC100-277V or AC200-480V	7000	5 years	70
EX-60W H4YZDA	60	4000K-5700K	AC100-277V or AC200-480V	8400	5 years	70

"H"=Product series "Y"=D or N:Dimmable or non-dimmable "Z"= CCT, from 4000~5700K "D"=Beam angle:120°

Mechanical Information

AC100-277V models
AC200-480V models

10-30 watt

24x4.7x9.5

24x4.7x9.5

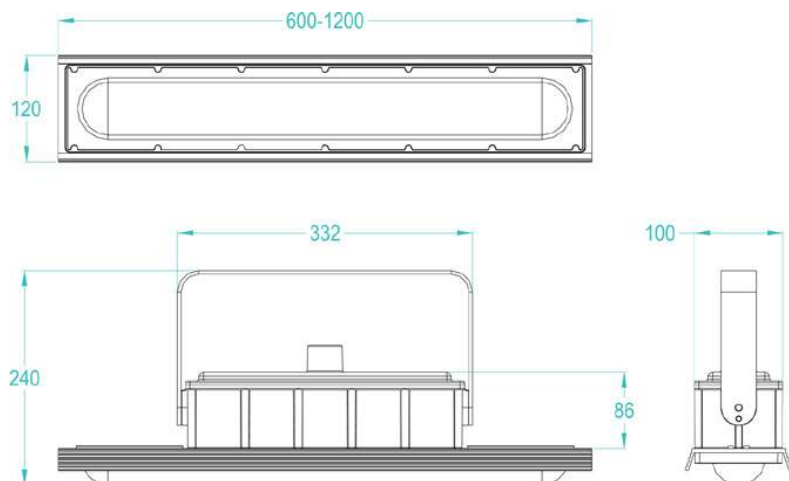
40 to 60 watt

47x4.7x9.5

47x4.7x9.5



Structure Diagram

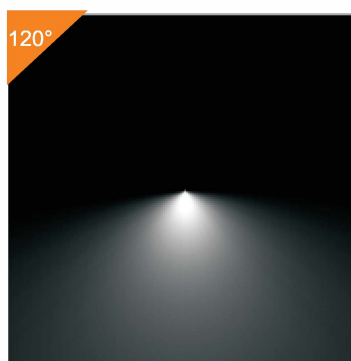
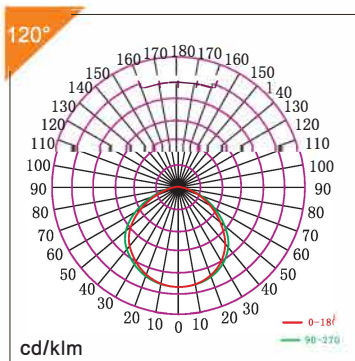


Safe. Reliable. Efficient.

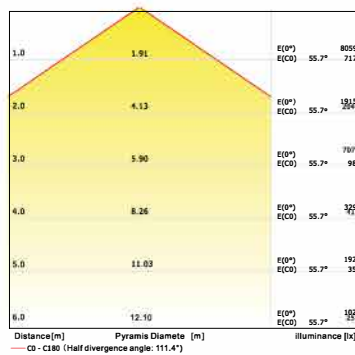
The unique light distribution design, light type and angle precision control of the LED light source, to avoid light pollution and ineffective utilization of light; soft light, no glare, will not cause eye fatigue of workers, improve working efficiency.

Professional Light Distribution

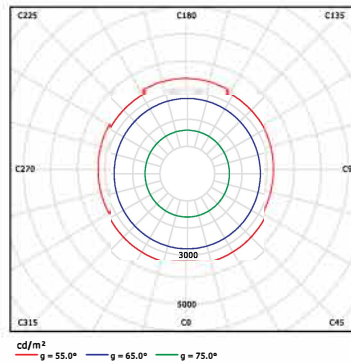
Light Distribution Pattern



Light intensity curve (60W)



Plane illuminance curve



Mounting Method

Explosion proof light can be surface and pendant mounted by bringing down a rigid conduit to the light fixture.

Mounting Option Note:

Pendant mounting option requires conduit be supplied by the installer.

Rectangle luminaire mounting

