

the complexity of  
hyper speed  
transceivers

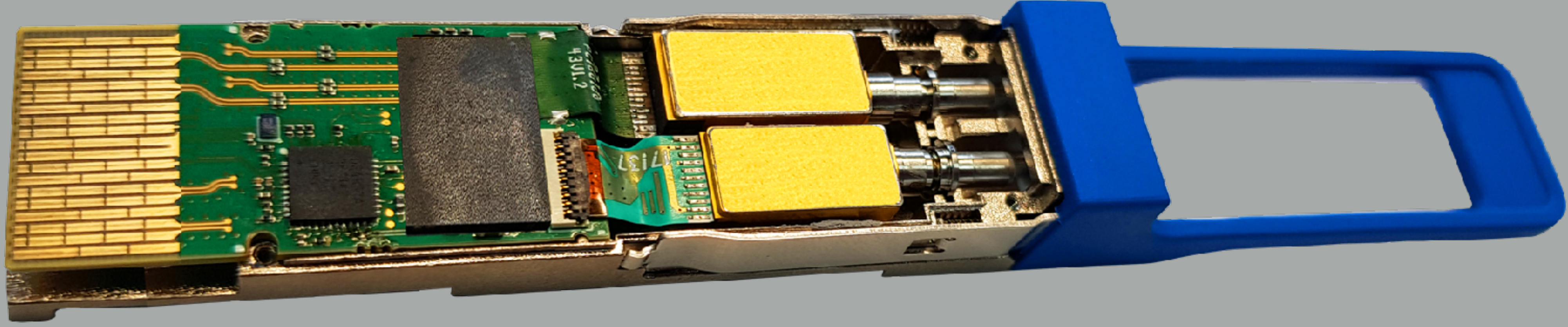


 FLEXPOTIX

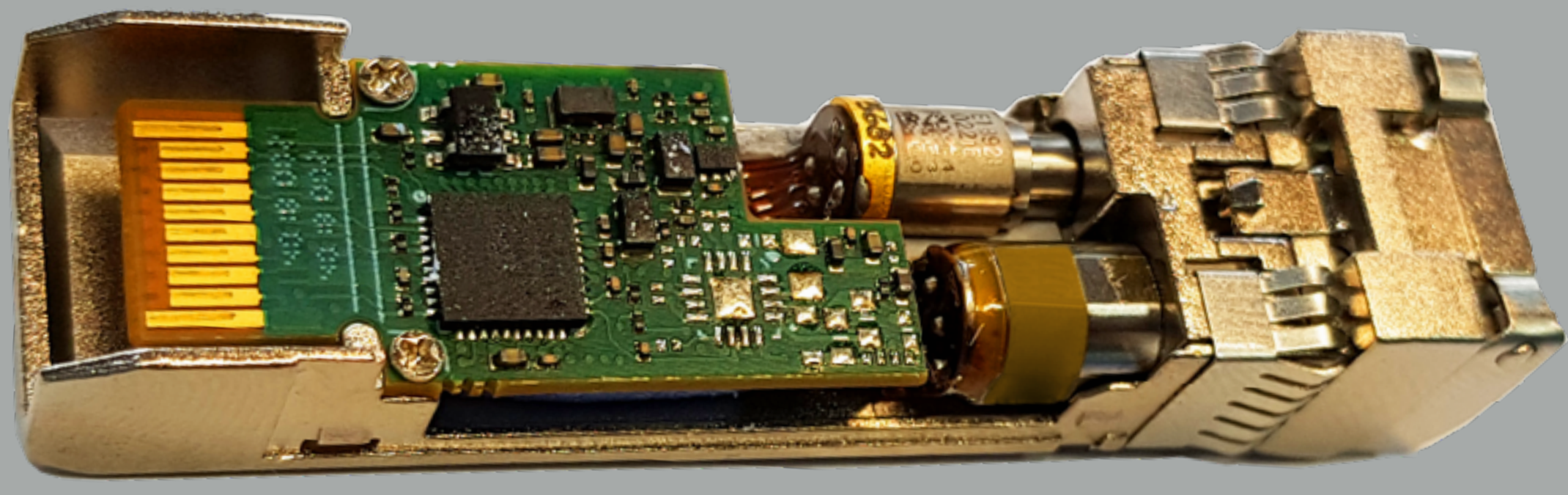
lets make it



400G



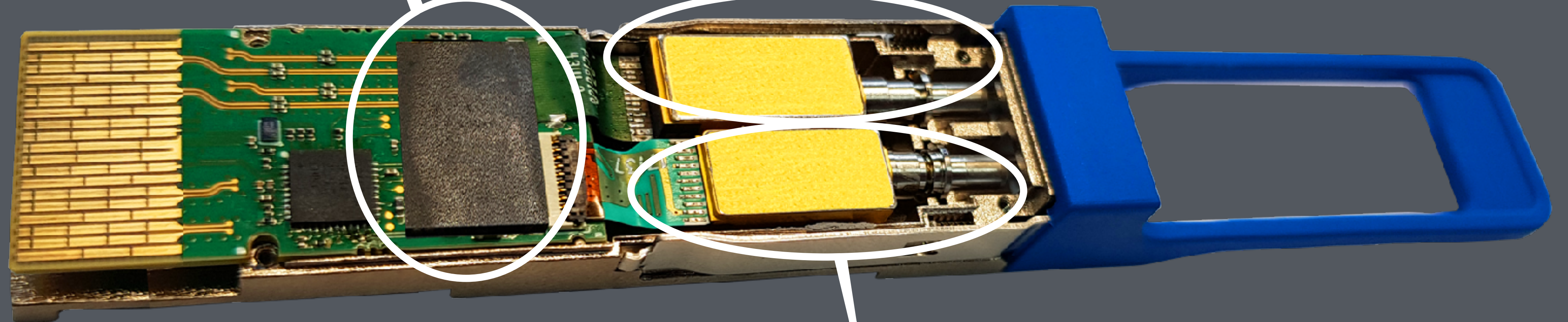
10G





# Digital Signal Processor

TRANSMITTER



reCEIVER

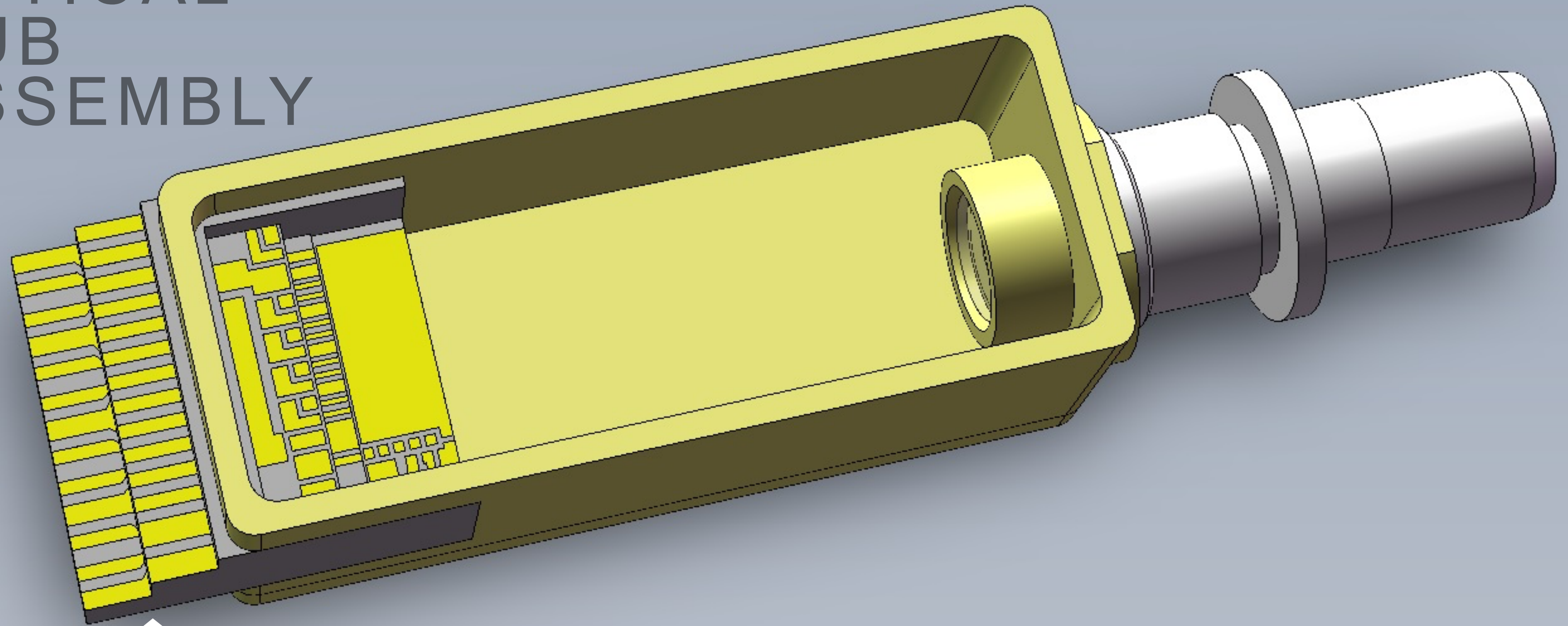


**TRANSMITTER**



T  
O  
S  
A

TRANSMITTER  
OPTICAL  
SUB  
ASSEMBLY

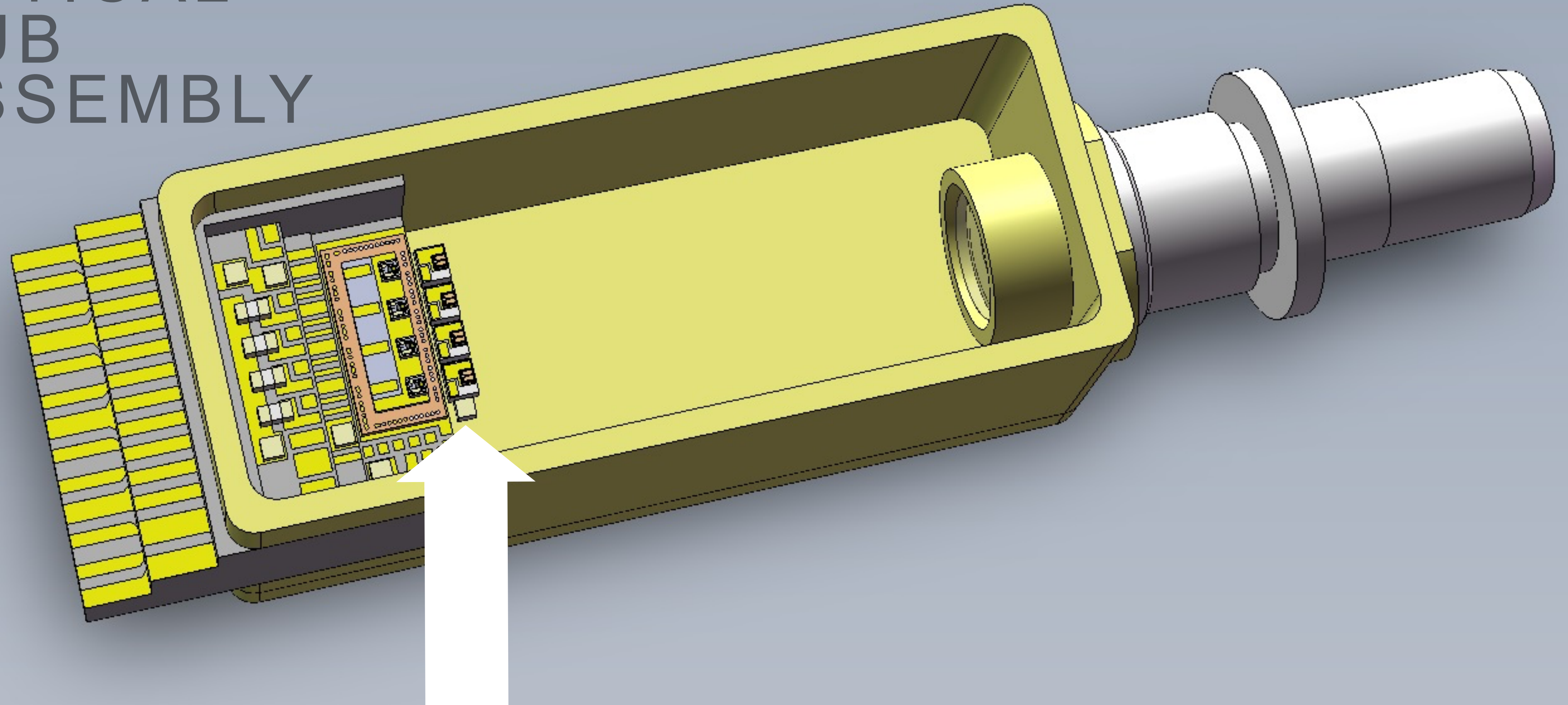


**electrical connector**



T  
O  
S  
A

TRANSMITTER  
OPTICAL  
SUB  
ASSEMBLY

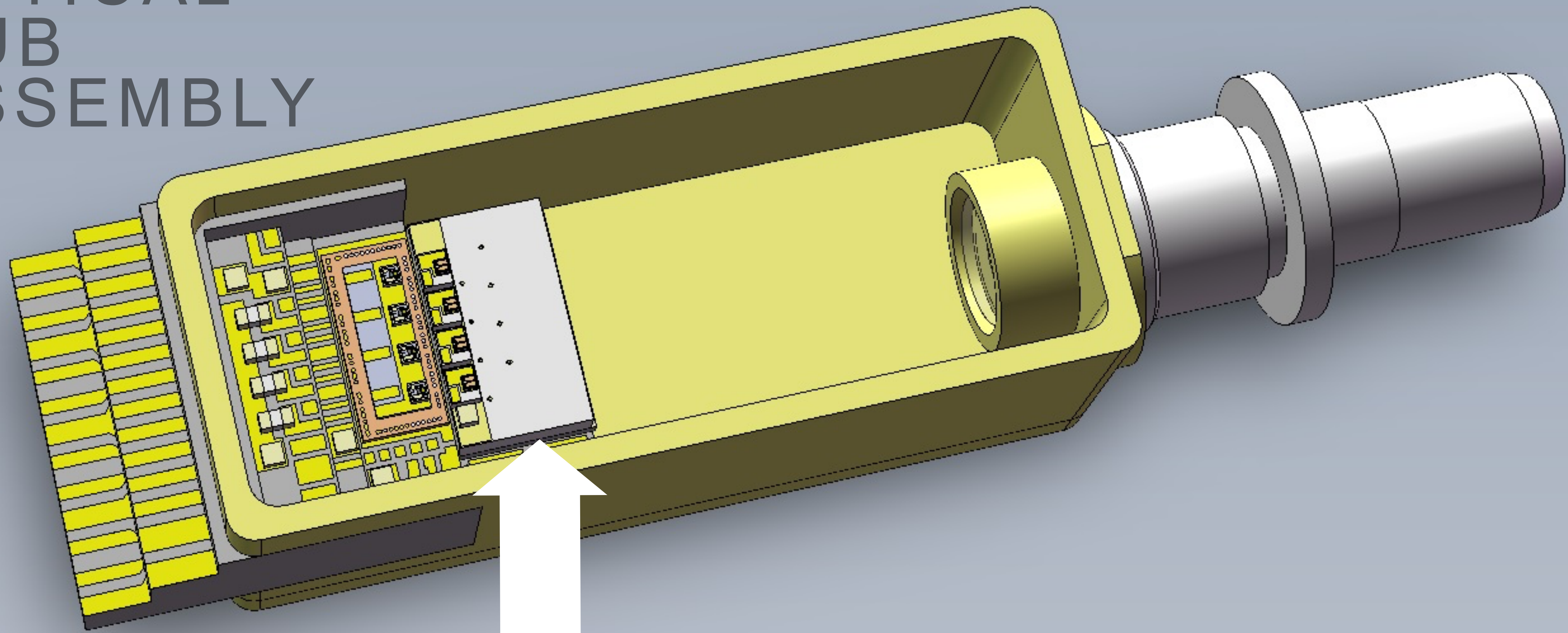


**laser diodes**



T  
O  
S  
A

TRANSMITTER  
OPTICAL  
SUB  
ASSEMBLY

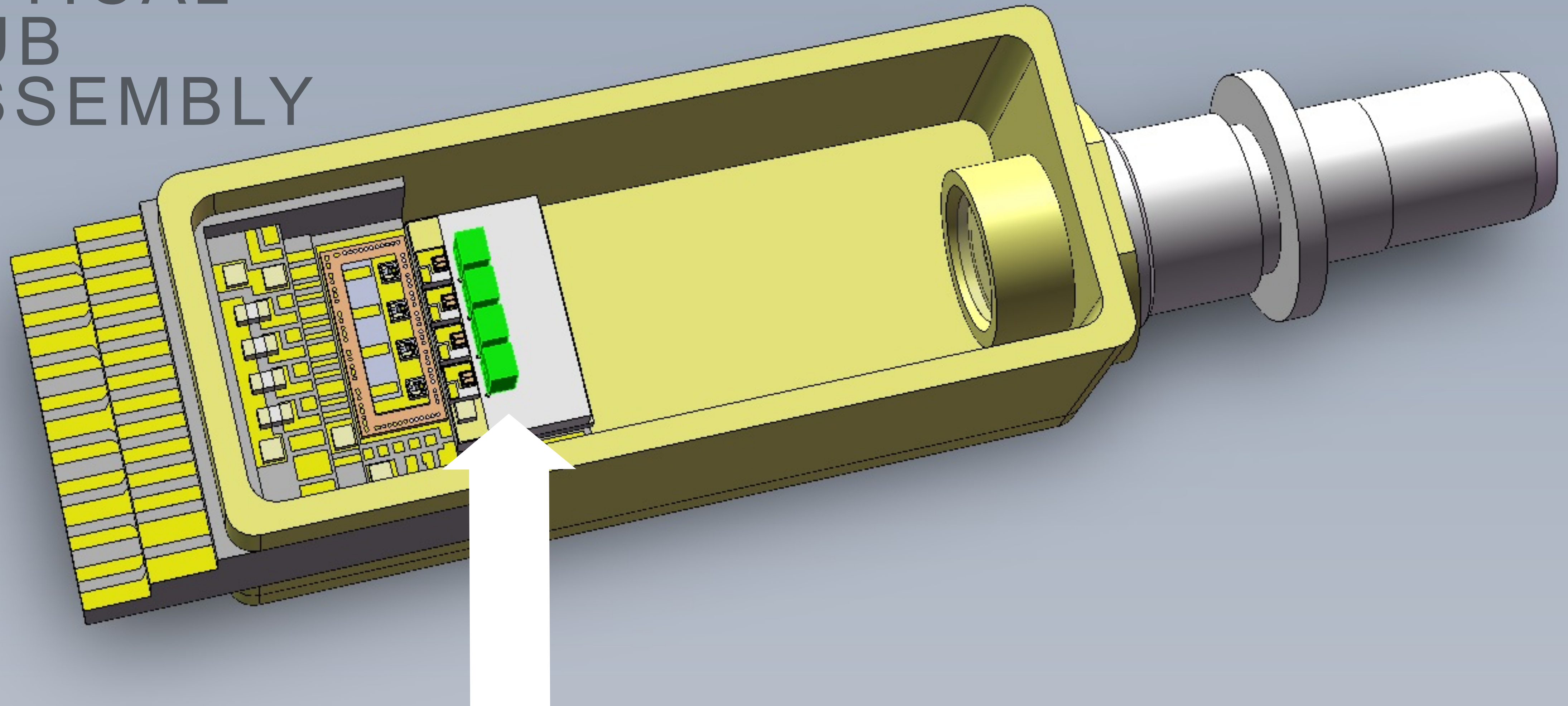


**cooler**



T  
O  
S  
A

TRANSMITTER  
OPTICAL  
SUB  
ASSEMBLY

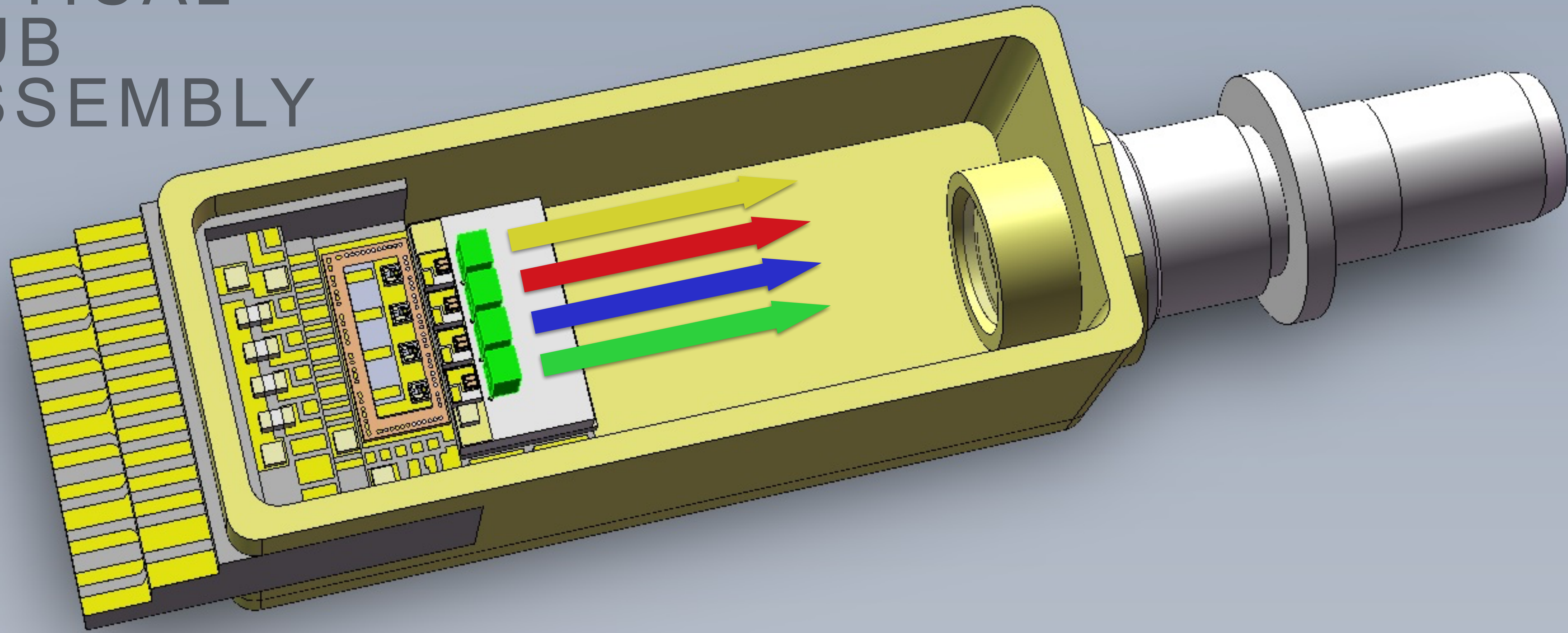


**optical lenses**



T  
O  
S  
A

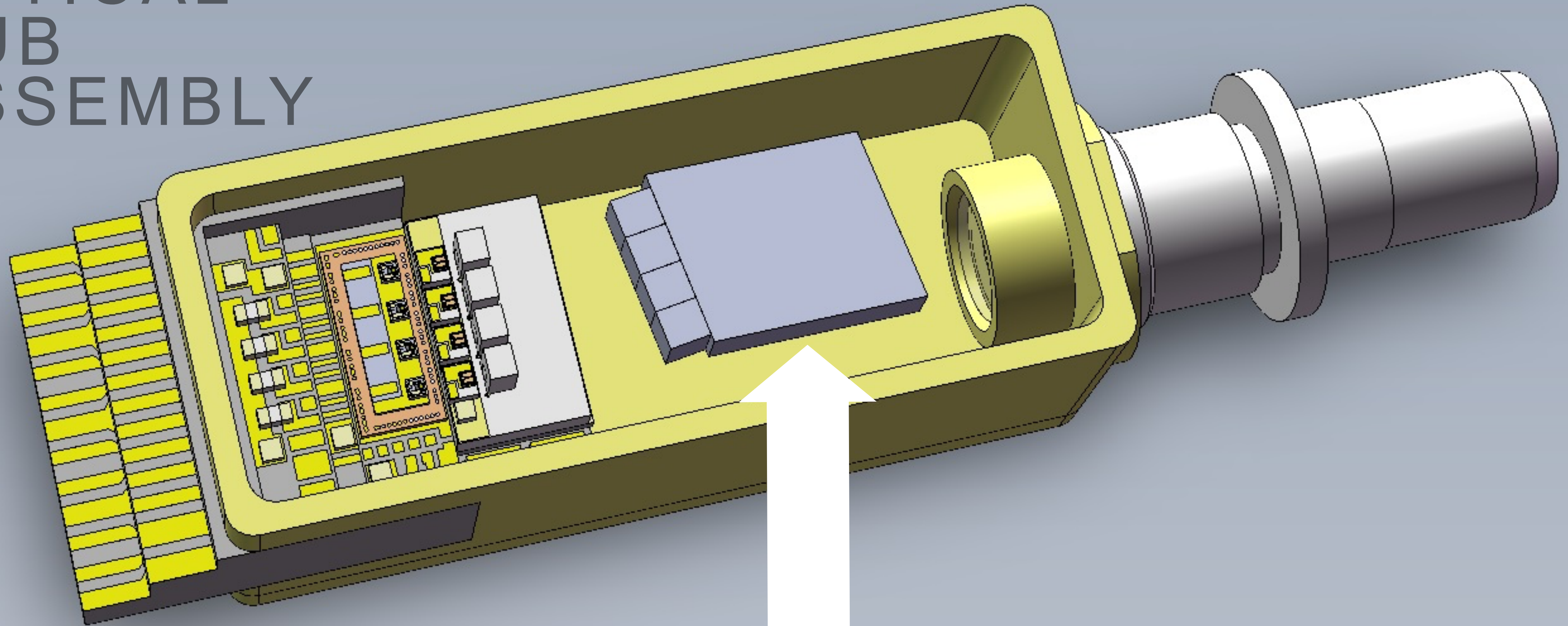
TRANSMITTER  
OPTICAL  
SUB  
ASSEMBLY





T  
O  
S  
A

TRANSMITTER  
OPTICAL  
SUB  
ASSEMBLY

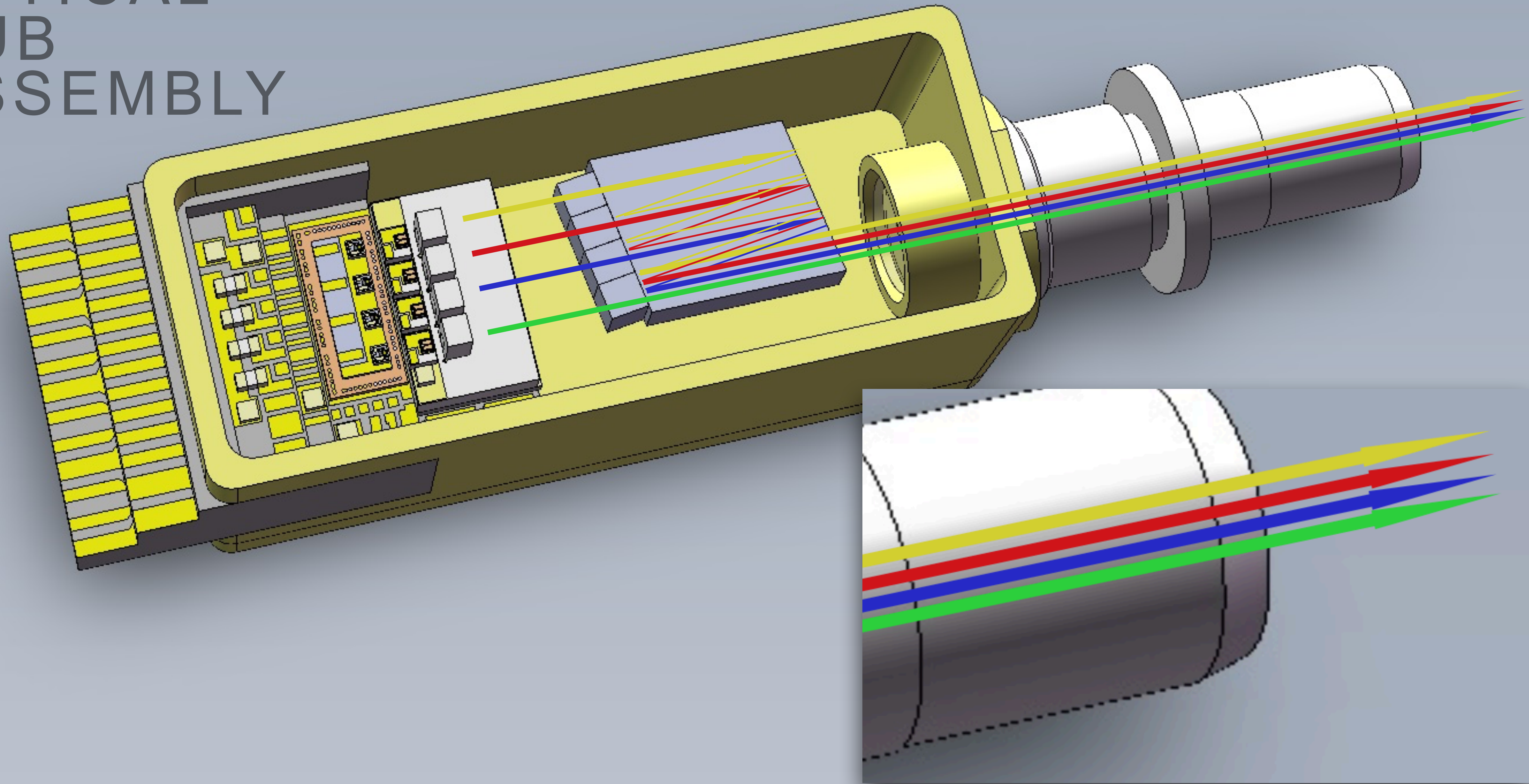


**optical multiplexer**



T  
O  
S  
A

TRANSMITTER  
OPTICAL  
SUB  
ASSEMBLY

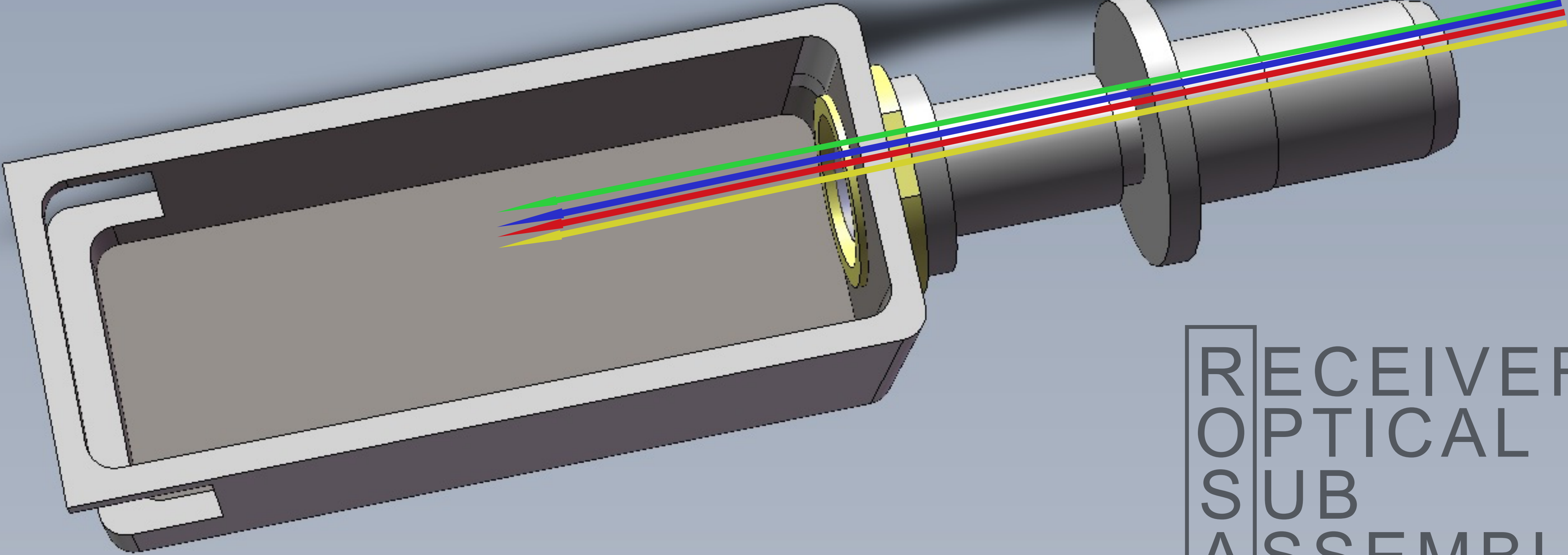




**RECEIVER**



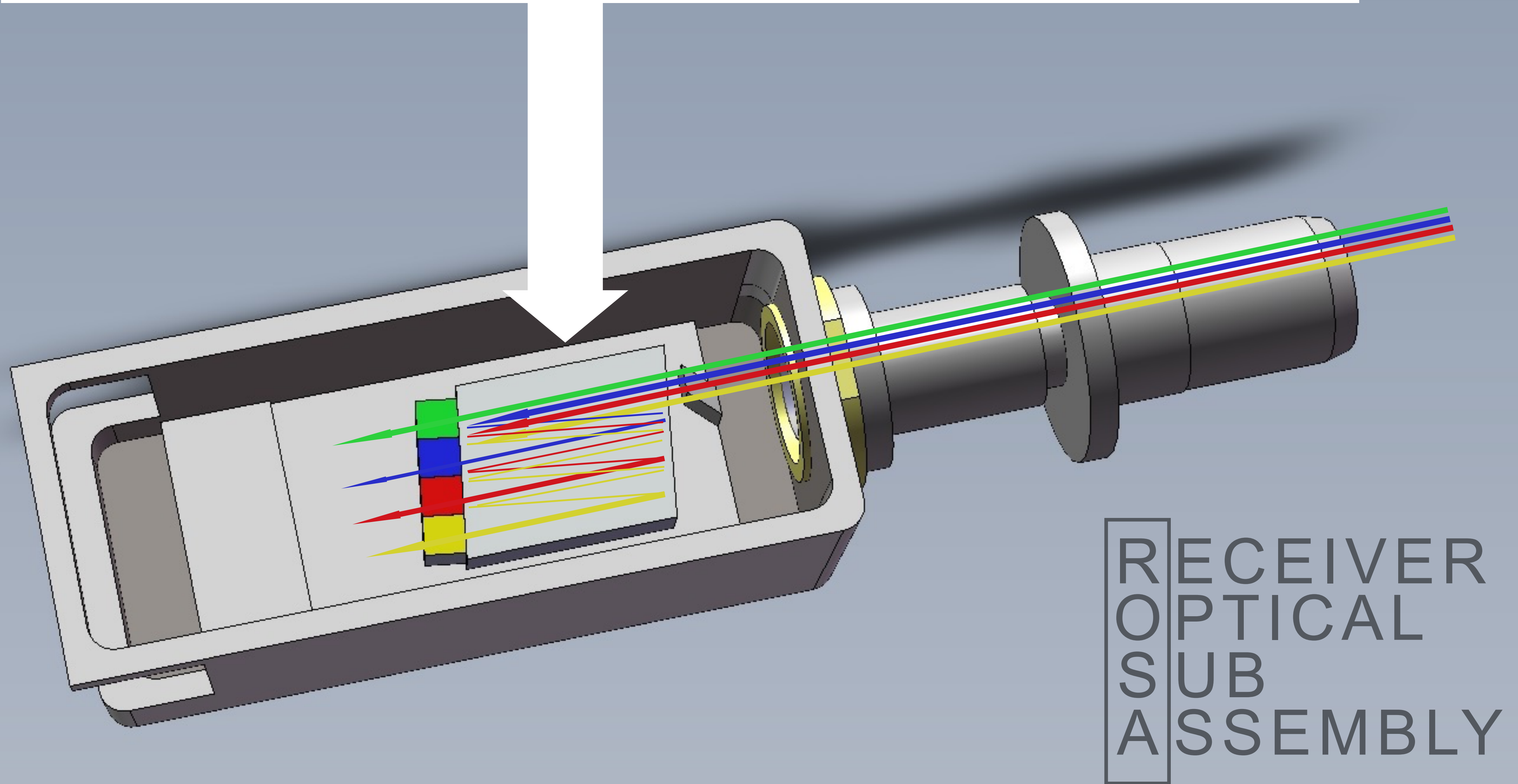
# optical receptacle



RECEIVER  
OPTICAL  
SUB  
ASSEMBLY

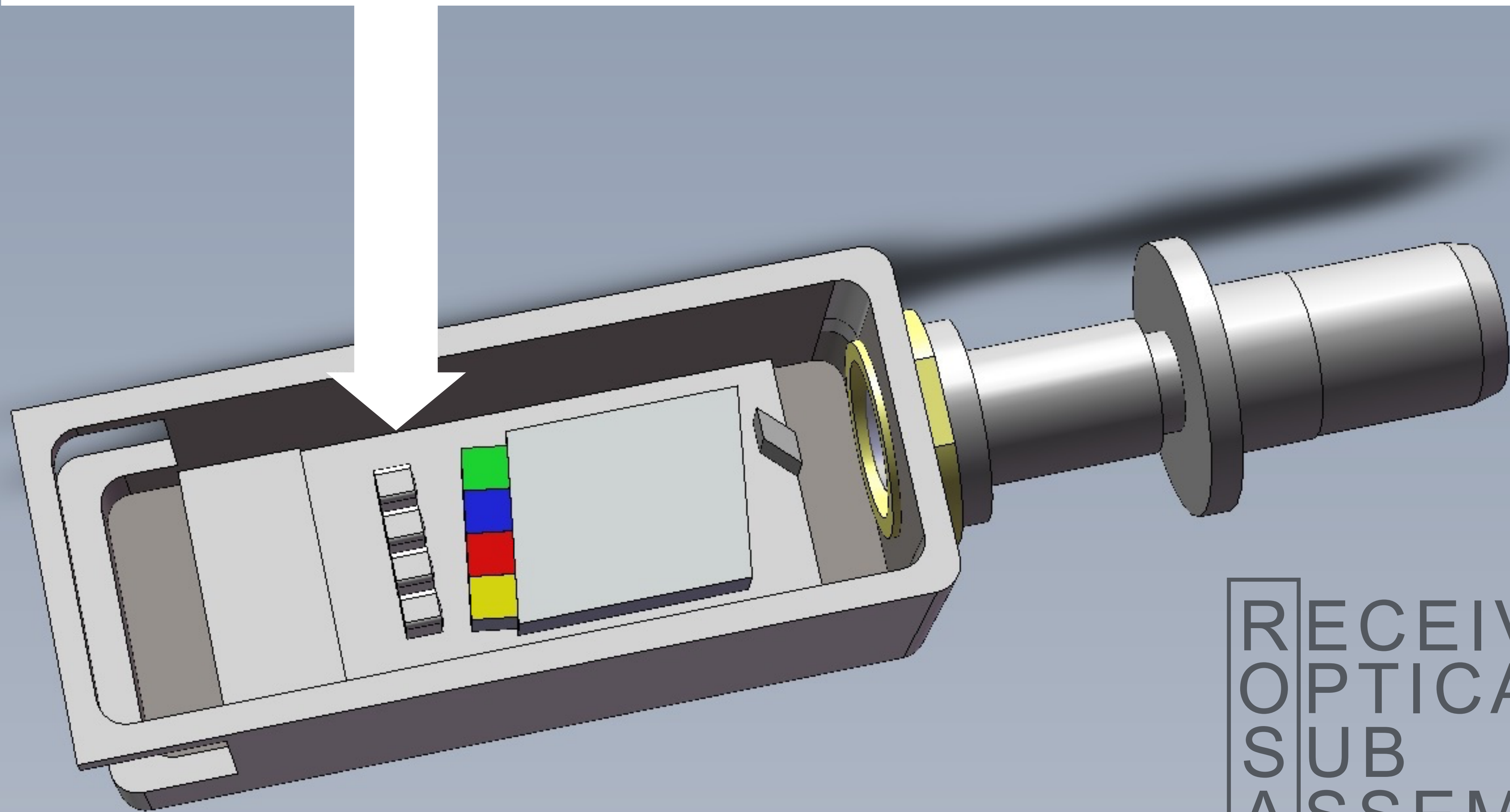


# optical demultiplexer





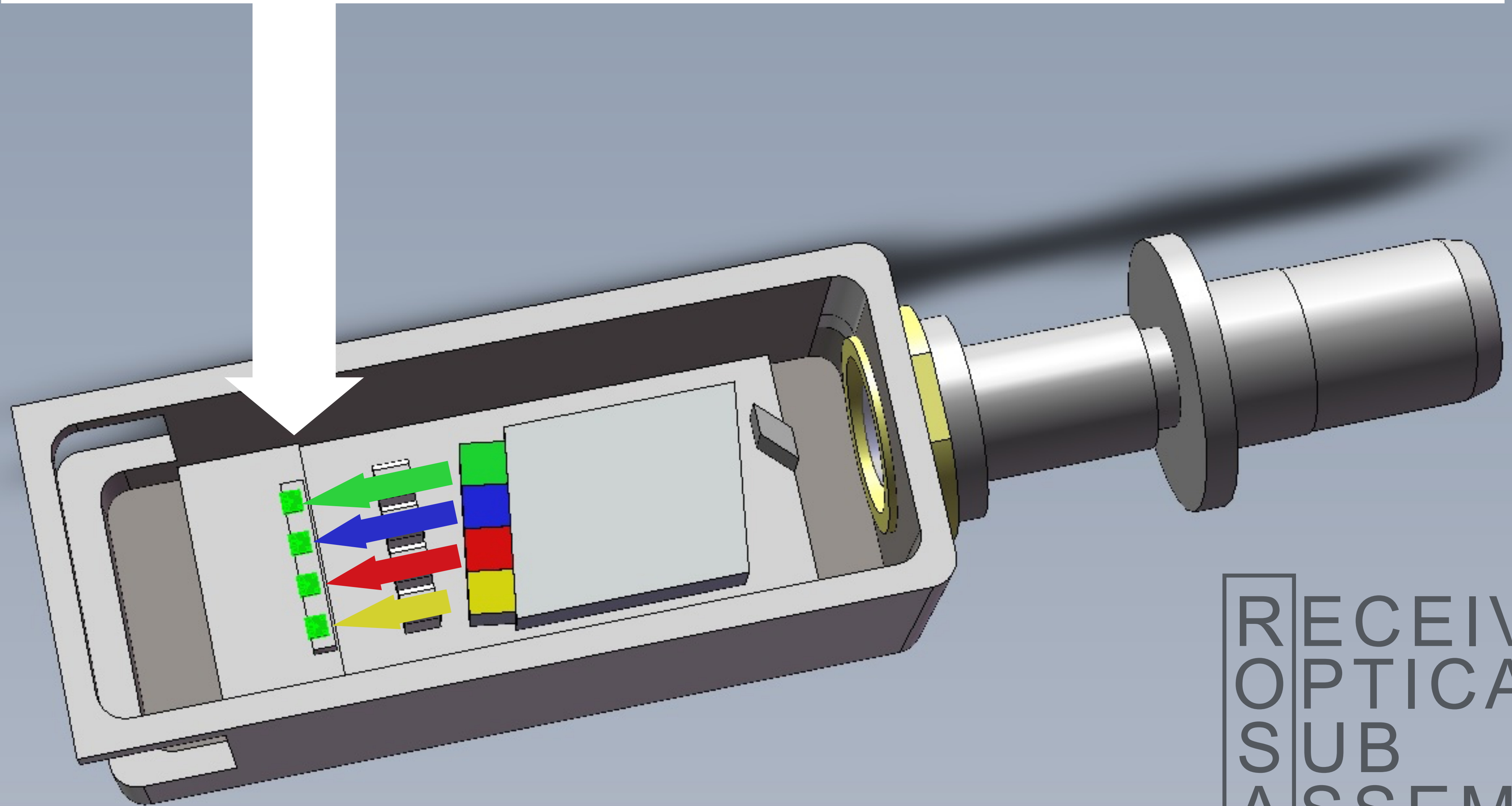
# optical lenses



RECEIVER  
OPTICAL  
SUB  
ASSEMBLY



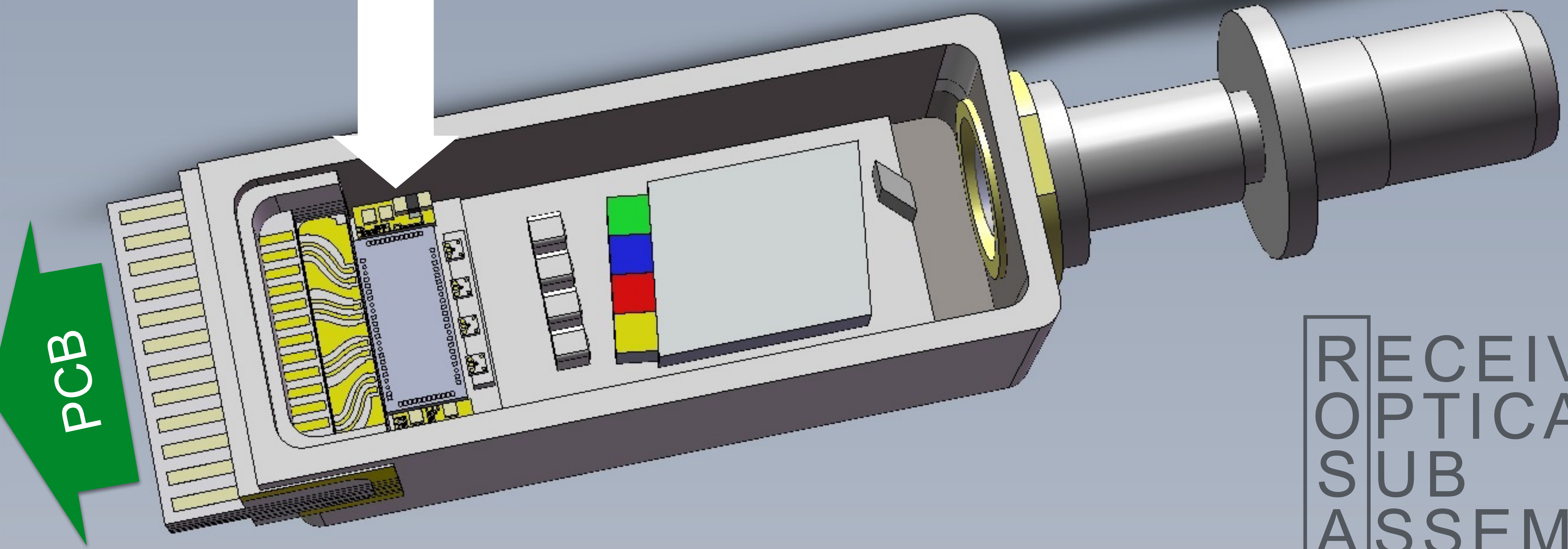
# PIN diode



RECEIVER  
OPTICAL  
SUB  
ASSEMBLY



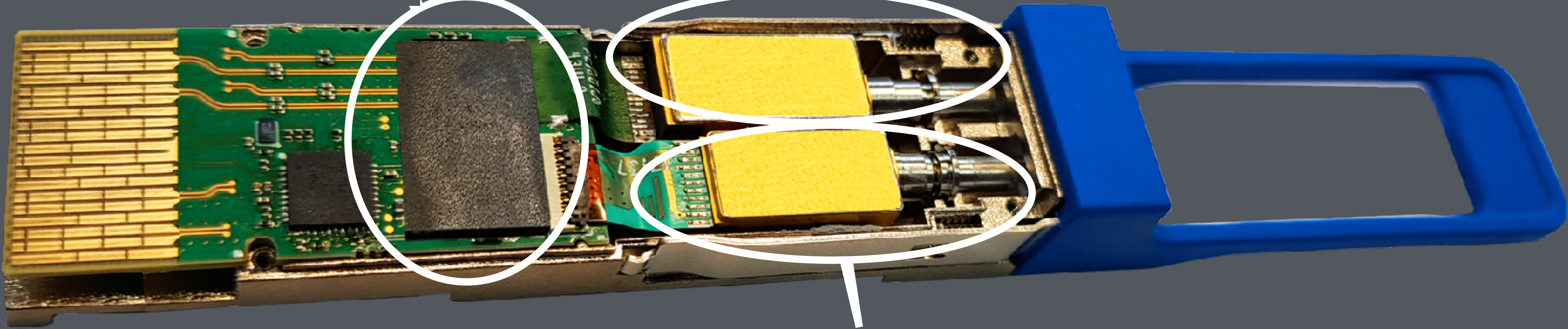
# amplifier



RECEIVER  
OPTICAL  
SUB  
ASSEMBLY



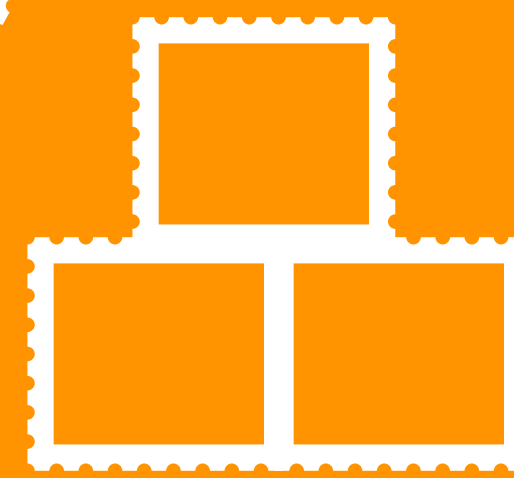
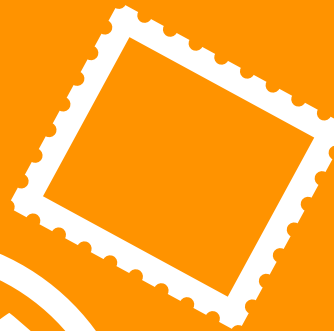
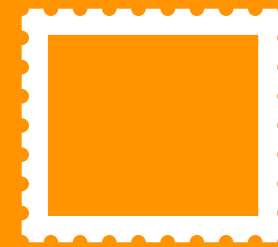
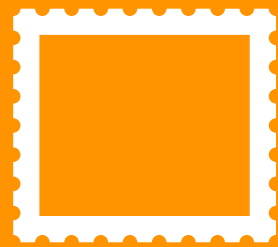
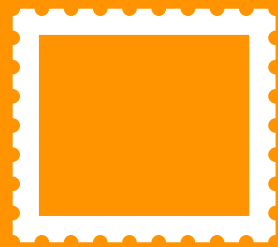
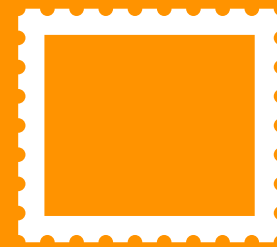
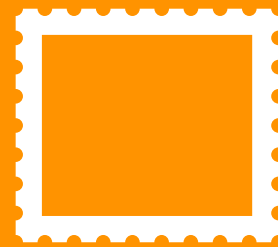
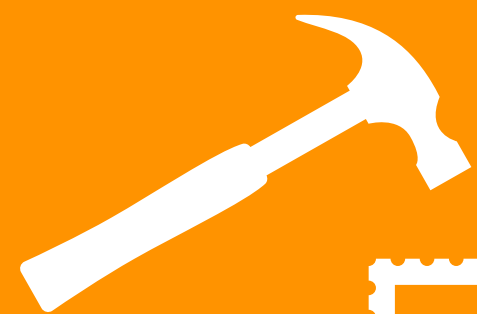
**TRANSMITTER**



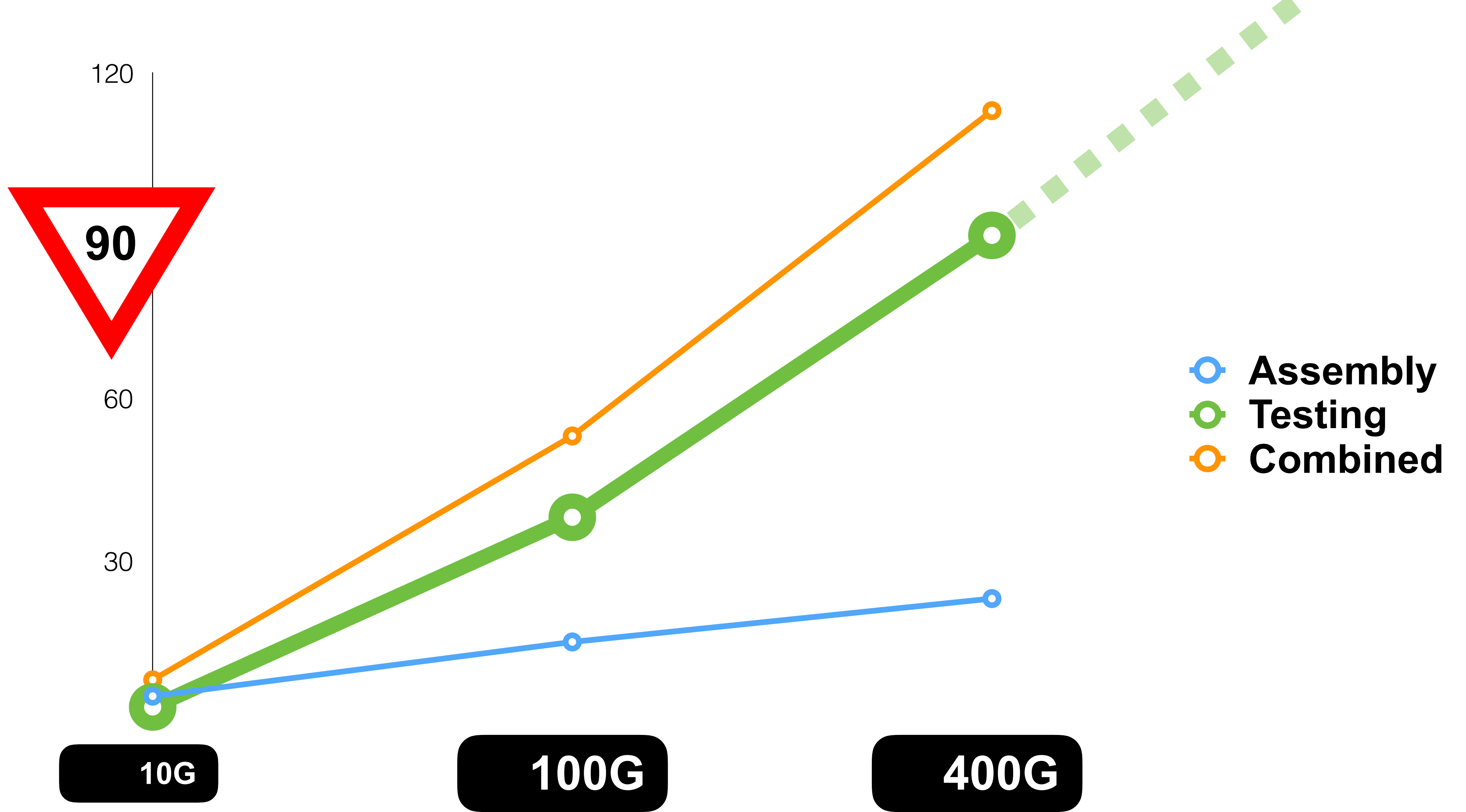
**reCEIVER**



production





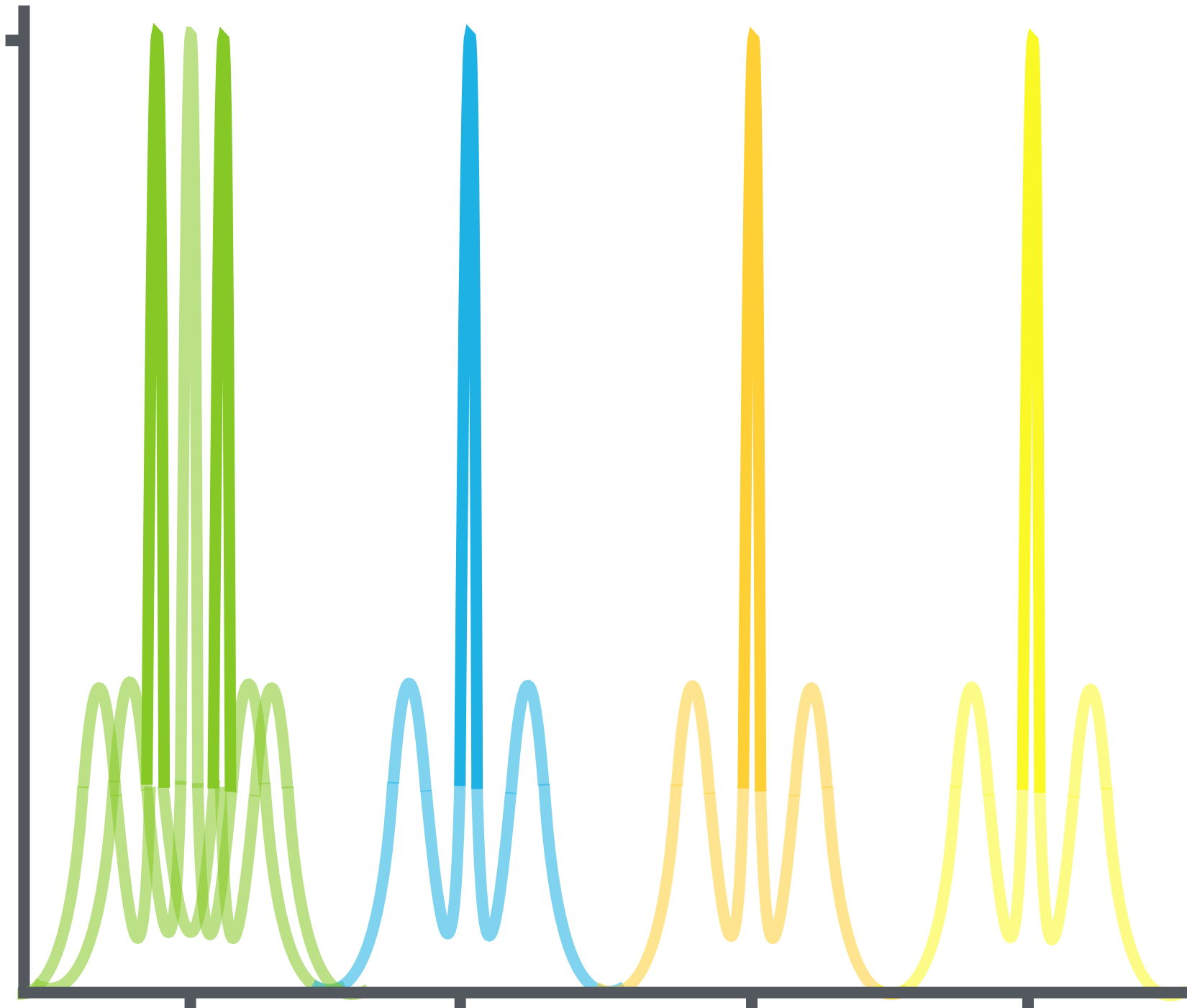


# T I M I N I N G





# Spectrum



0°C

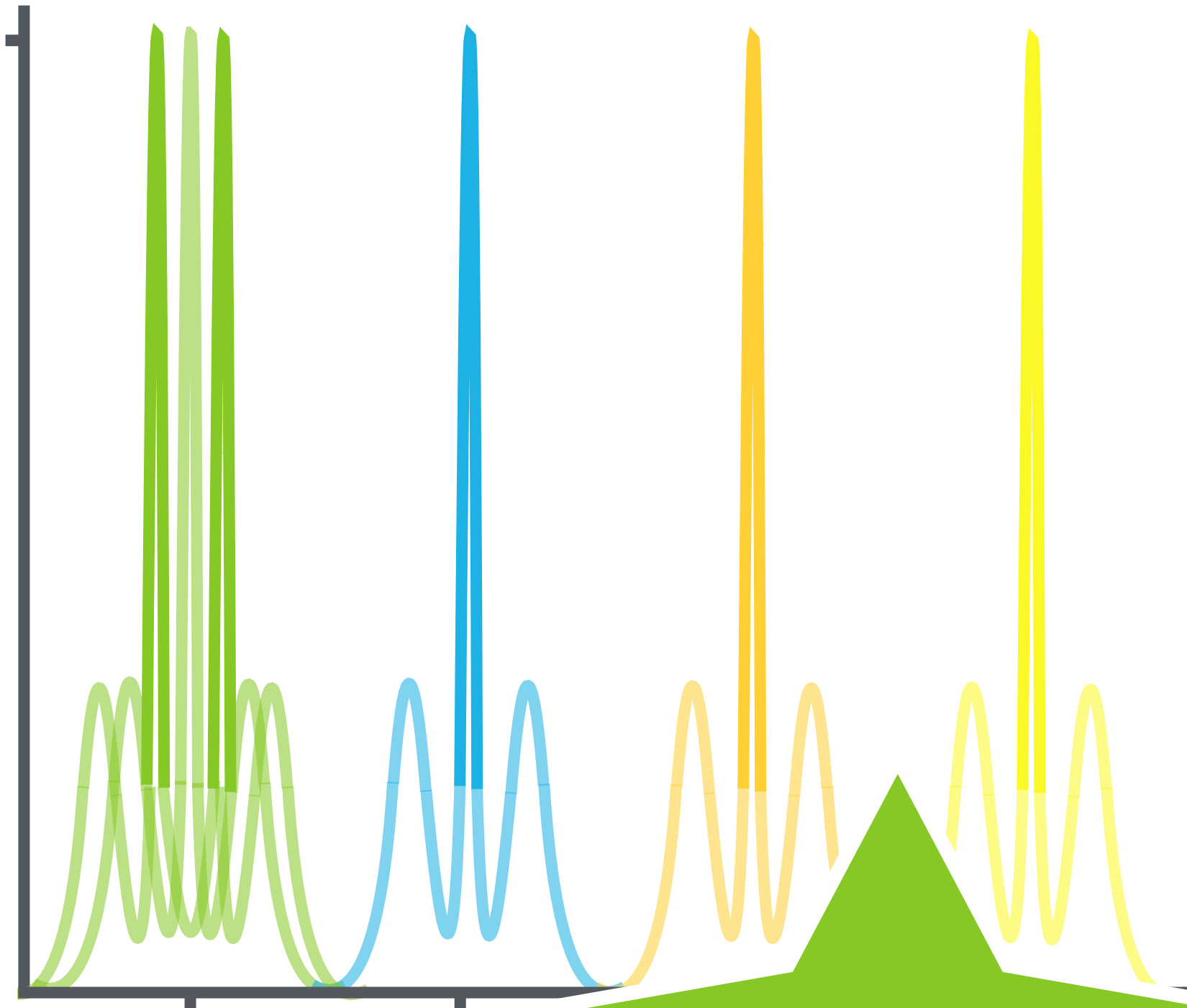
+70°C

TEMPERATURE





# Spectrum

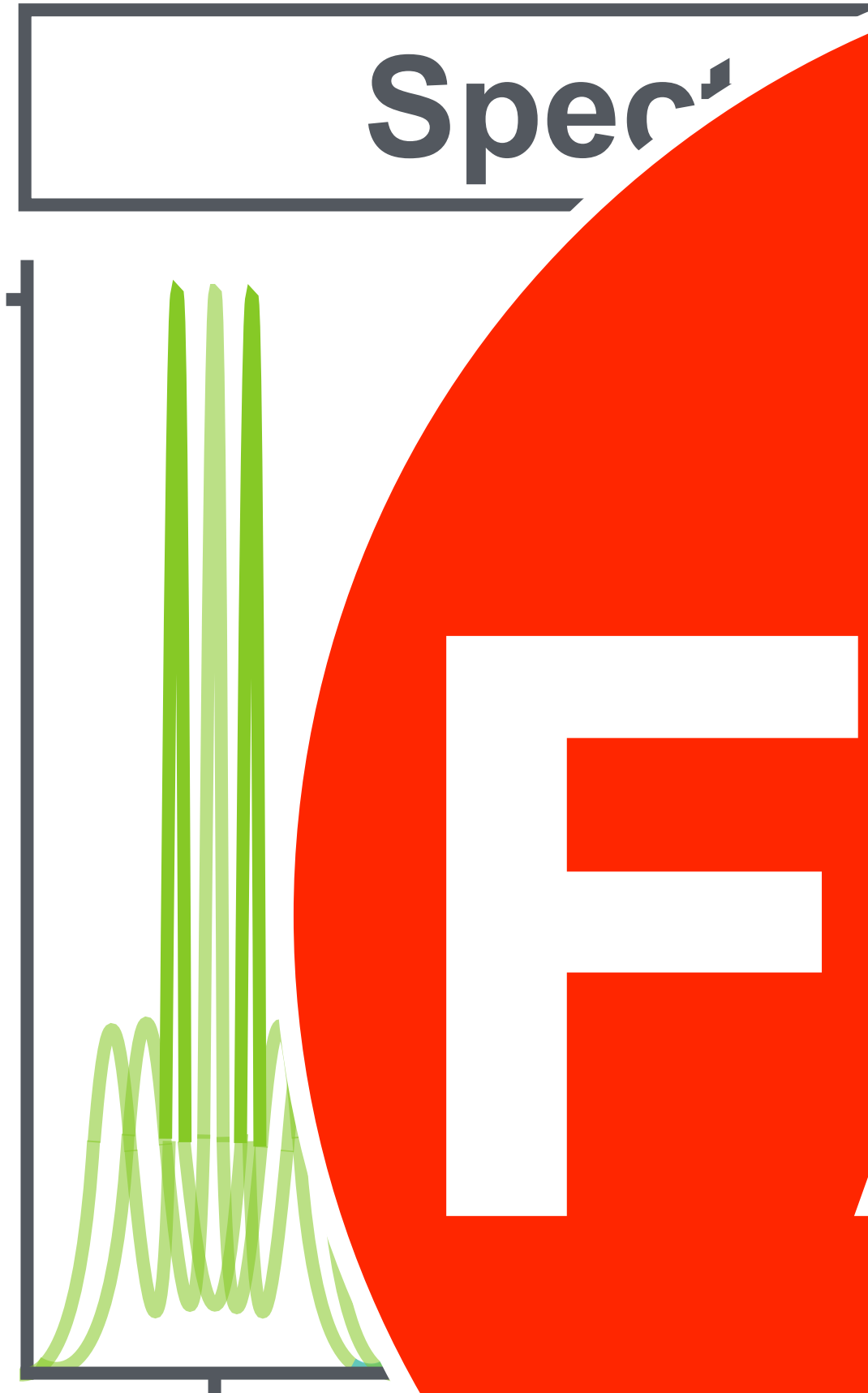


0°C

+70°C

TEMPERATURE





**FAIL**

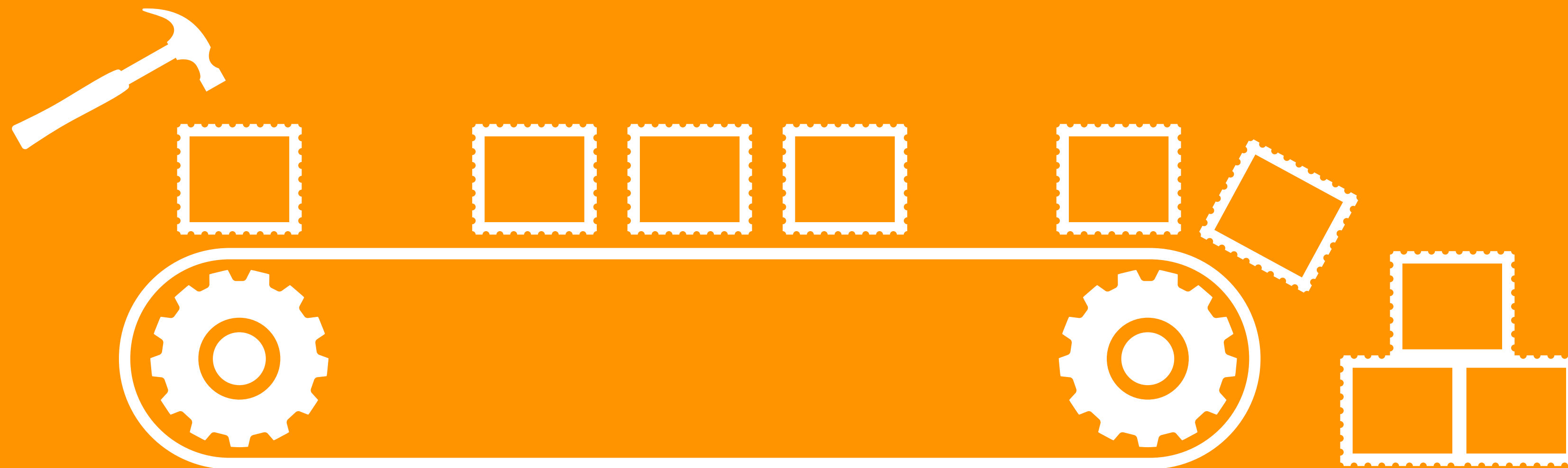
**0°C**

**70°C**

**TEMPERATURE + TIME**

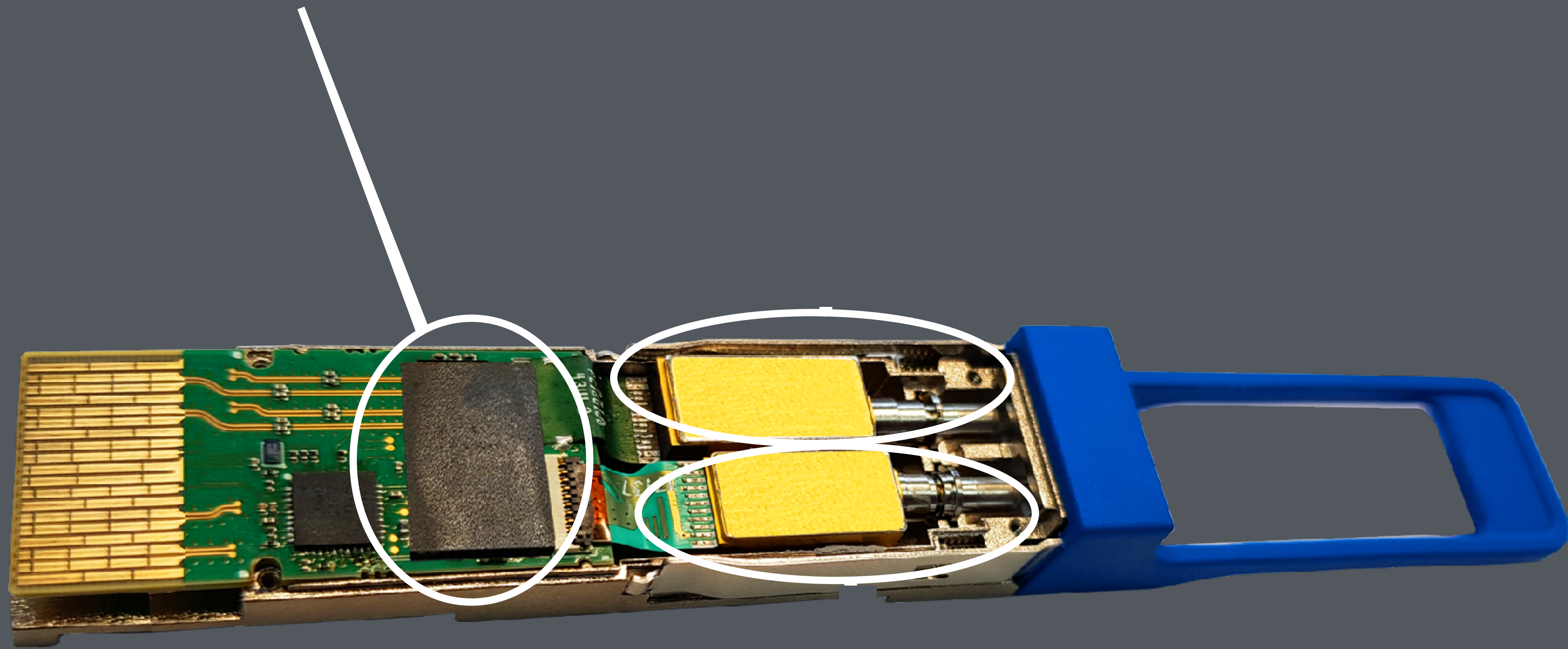


production





# Digital Signal Processor





# Forward Error Correction





100G

FEC  
ENC

FEC  
DEC



**Switch**

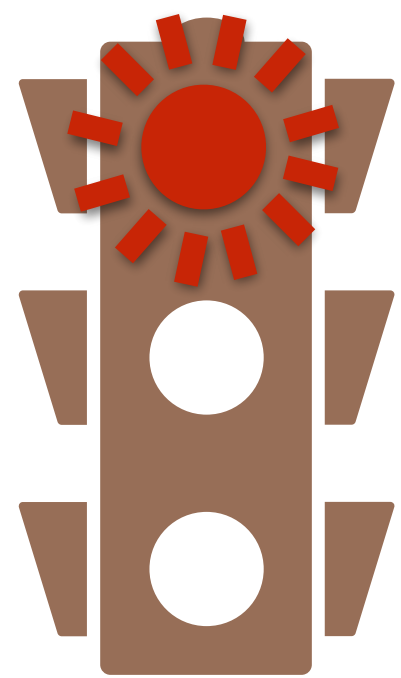
**Switch**



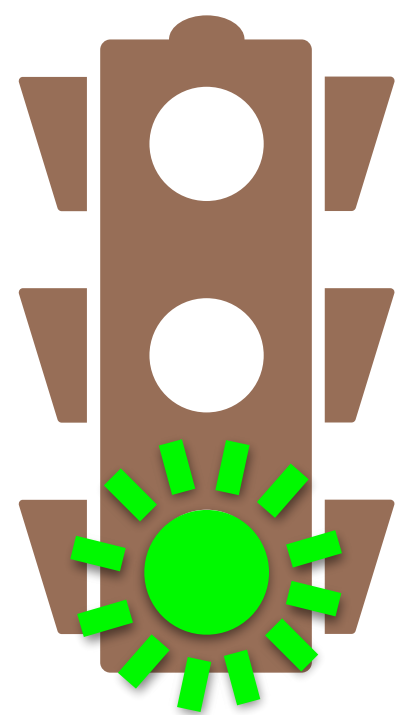
1



2

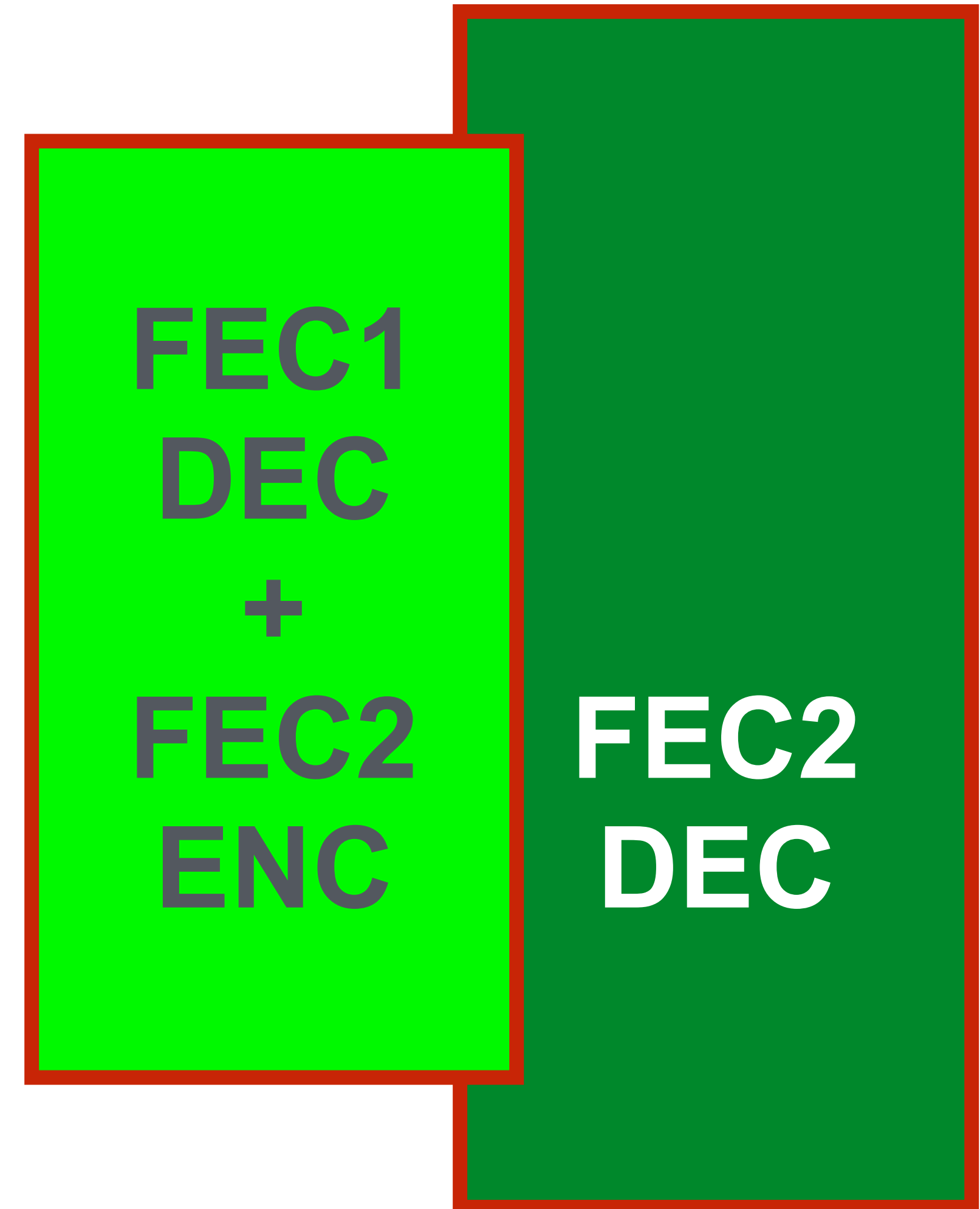
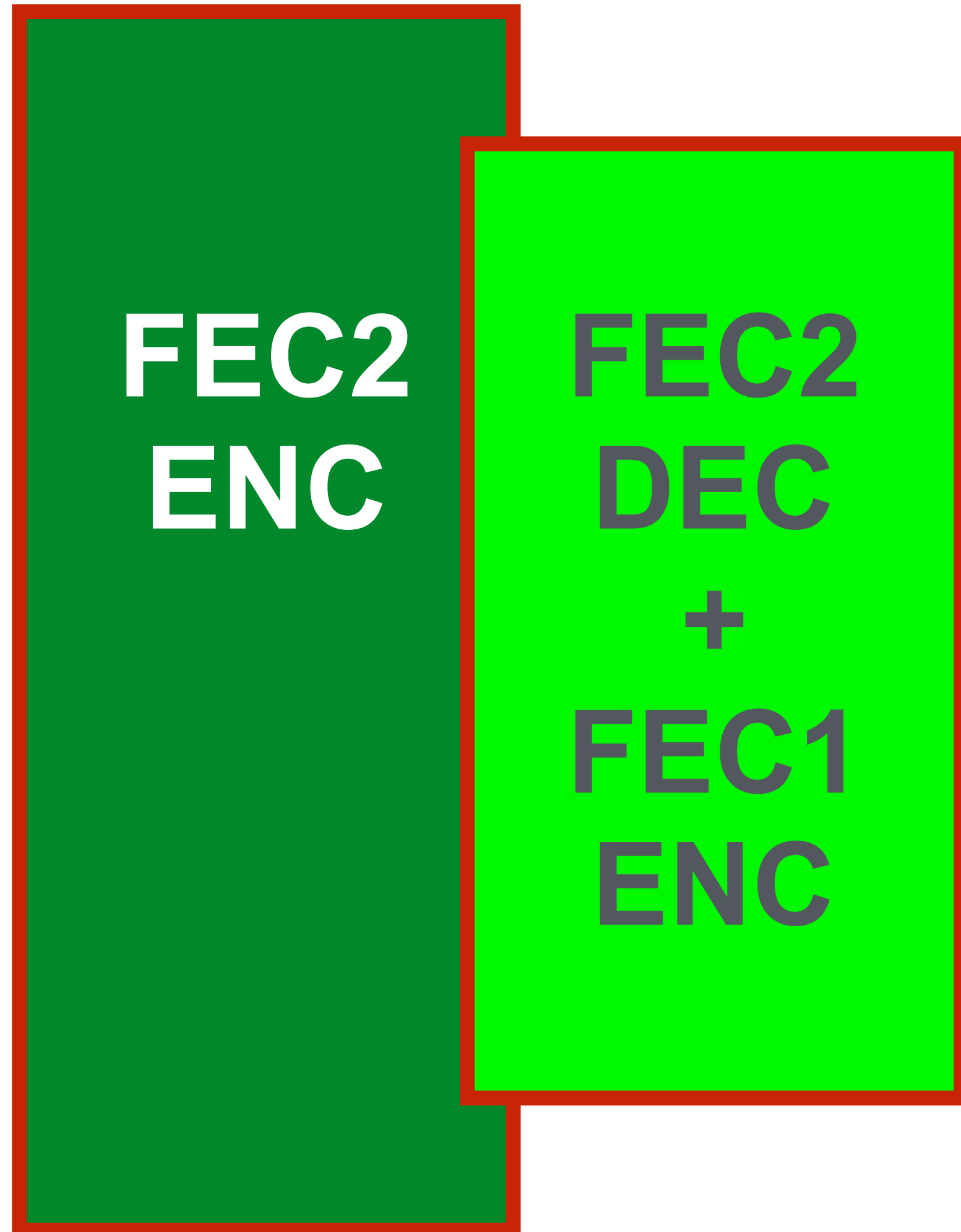


3





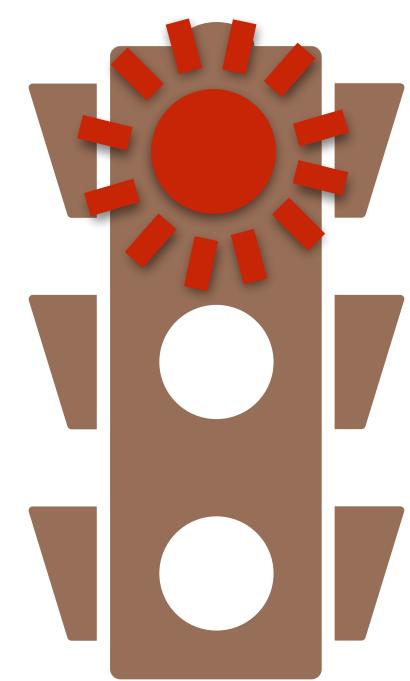
400G



**Switch** QSFP-DD OSFP

QSFP-DD OSFP **Switch**





unequal # of  
FEC's in line



new



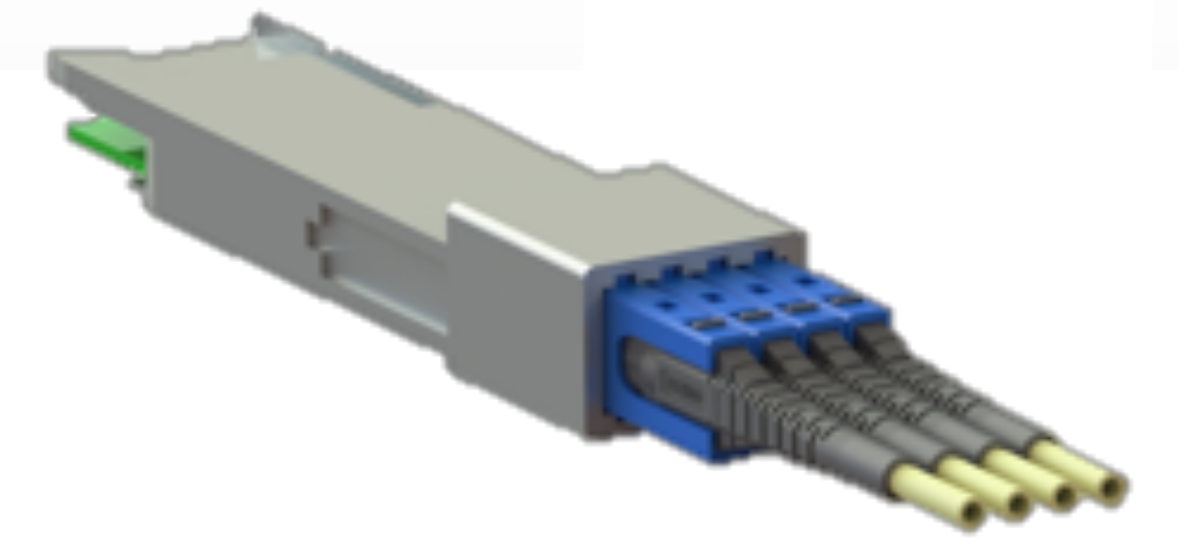
 FLEXPOTIX



**400G LR4 as CWDM4**  **or LAN-WDM** 

**100G ER4 + ZR4**

**400G DR4  
with SN™ plugs**



source: SENKO Advanced Components,  
SN is a registered trademark of SENKO. Thanks for your support





**100G LR**

**40G DWDM LR**

**25G DWDM LR**





# THE FLEXBOX CREATORS

THOMAS.WEIBLE@FLEXOPTIX.NET



**1**  
revolutionary  
development



**56**  
flexperts

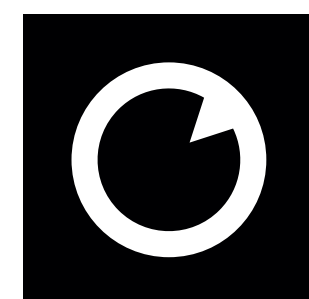


**48322**  
transceiver  
compatibilities





**THANK YOU**



**FLEXOPTIX**