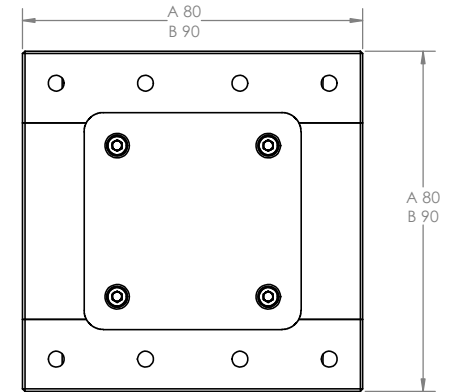
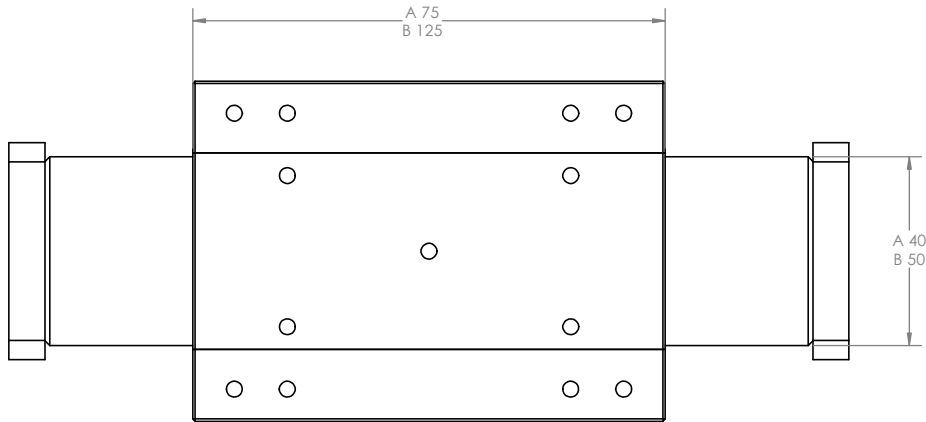
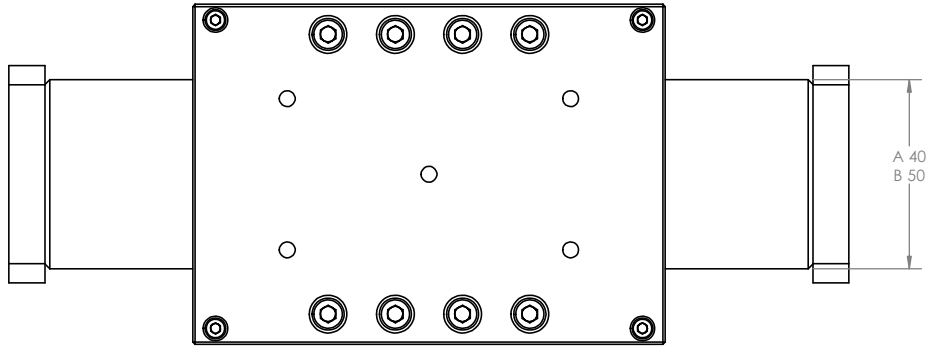
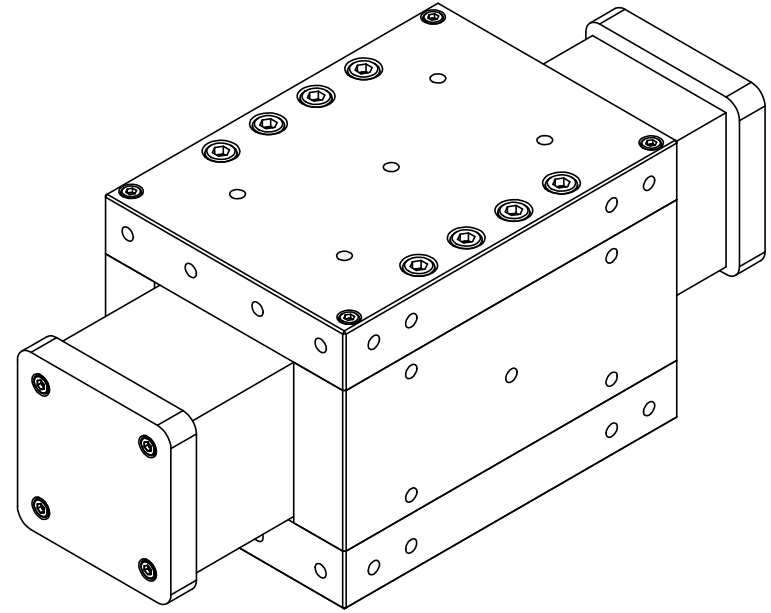


Box Series Series Linear Guide System					
	bar size (mm x mm)	length (mm)	Load Capacity (lbs)		
			60 PSI	80 PSI	100 PSI
Z direction	40x40	75	78	104	130
	50x50	125	168	224	280
Y direction	40x40	75	78	104	130
	50x50	125	168	224	280

Box Series Linear Guide System					
	bar size (mm x mm)	length (mm)	Max Moment (in-lbs)		
			60 PSI	80 PSI	100 PSI
Pitch	40x40	75	54	72	90
	50x50	125	120	160	200
Roll	40x40	75	51	68	85
	50x50	125	108	144	180
Yaw	40x40	75	54	72	90
	50x50	125	120	160	200



STANDARD TRAVEL - 50MM, 100MM, 200MM, 300MM  
CUSTOM SIZES AVAILABLE

**PROPRIETARY AND CONFIDENTIAL**  
THE INFORMATION CONTAINED IN THIS DRAWING IS THE SOLE PROPERTY OF OAVCO LLC. ANY REPRODUCTION IN PART OR AS A WHOLE WITHOUT THE WRITTEN PERMISSION OF OAVCO LLC IS PROHIBITED.

		UNLESS OTHERWISE SPECIFIED:	NAME	DATE
		DIMENSIONS ARE IN MILLIMETERS		
		TOLERANCES:	DRAWN	
		FRACTIONAL: ±	CHECKED	
		ANGULAR: MACH ± BEND ±	ENG APPR.	
		TWO PLACE DECIMAL: ±	MFG APPR.	
		THREE PLACE DECIMAL: ±	Q.A.	
		INTERPRET GEOMETRIC TOLERANCING PER:	COMMENTS:	
		MATERIAL:		
		FINISH:		
NEXT ASSY	USED ON	APPLICATION		
		DO NOT SCALE DRAWING		

**OAV**

TITLE: **BOX SERIES LINEAR GUIDE**

SIZE	DWG. NO.	REV
C	boxseries_spec	

SCALE: 1:1 WEIGHT: SHEET 1 OF 1