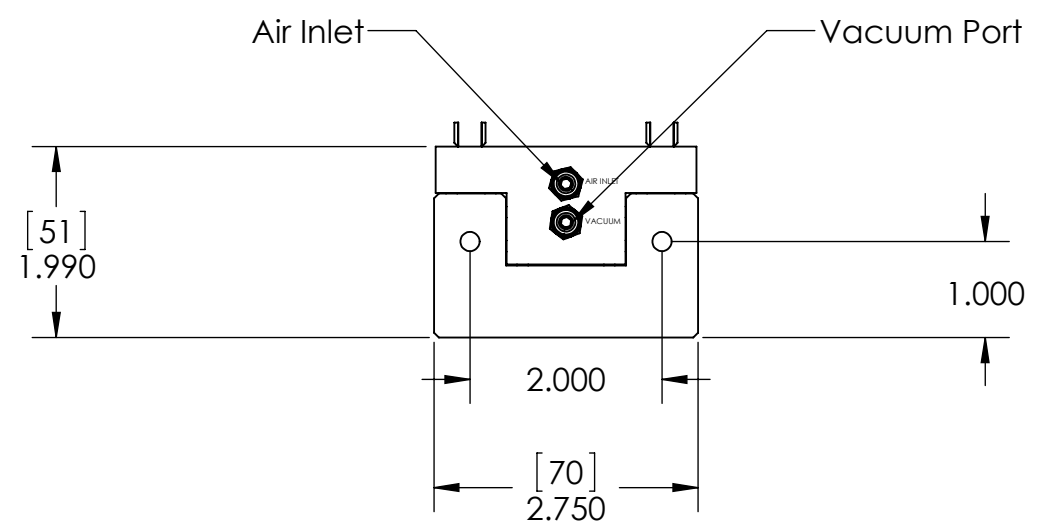
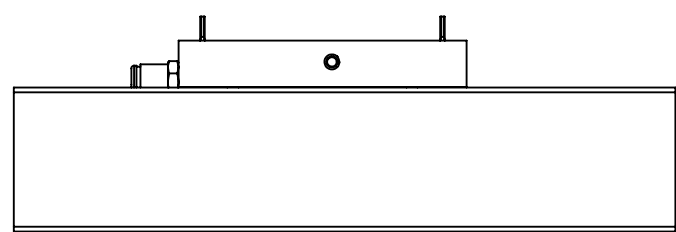
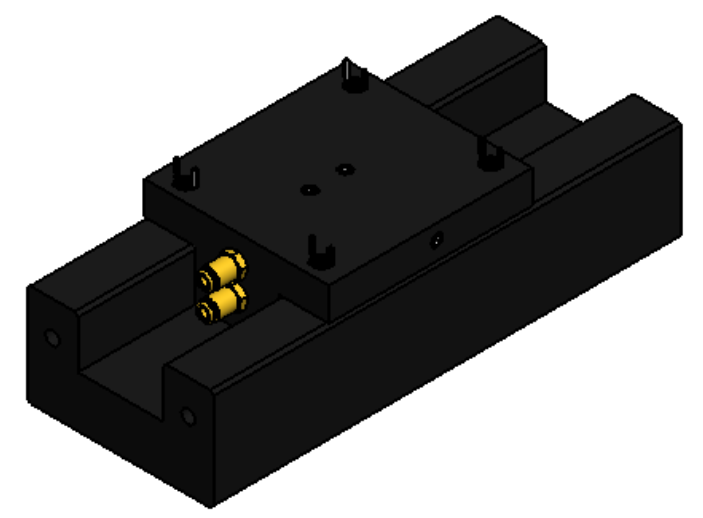
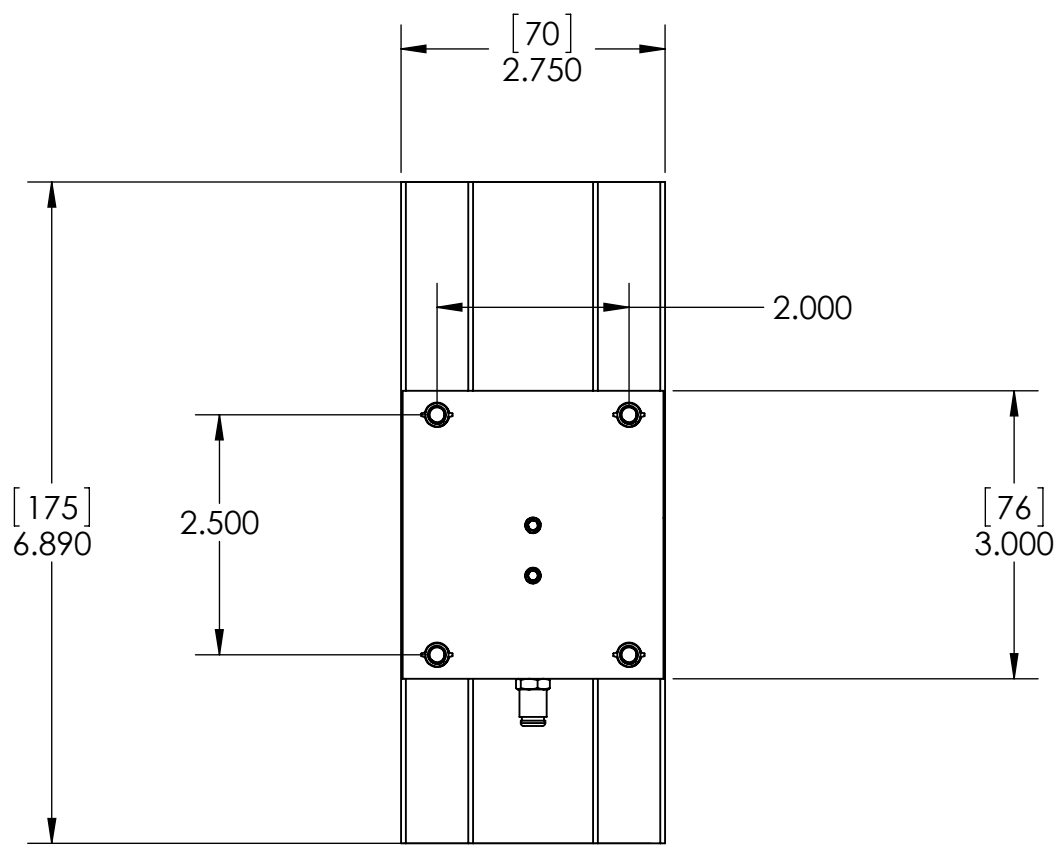
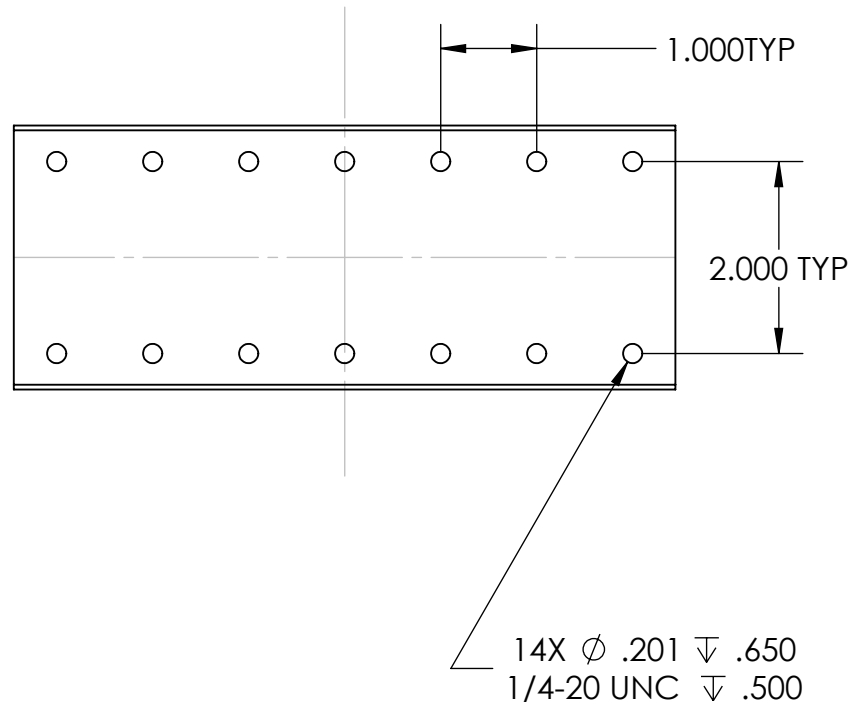


8 7 6 5 4 3 2 1

D
C
B
A

D
C
B
A



PROPRIETARY AND CONFIDENTIAL
THE INFORMATION CONTAINED IN THIS DRAWING IS THE SOLE PROPERTY OF <INSERT COMPANY NAME HERE>. ANY REPRODUCTION IN PART OR AS A WHOLE WITHOUT THE WRITTEN PERMISSION OF <INSERT COMPANY NAME HERE> IS PROHIBITED.

UNLESS OTHERWISE SPECIFIED:	
DIMENSIONS ARE IN MM	
TOLERANCES:	
FRACTIONAL ±	
ANGULAR: MACH ± BEND ±	
TWO PLACE DECIMAL ±	
THREE PLACE DECIMAL ±	
INTERPRET GEOMETRIC TOLERANCING PER:	
MATERIAL	
FINISH	
NEXT ASSY	USED ON
APPLICATION	
DO NOT SCALE DRAWING	

NAME	DATE
AE	0315/19
MS	03/15/19
ENG APPR.	
MFG APPR.	
Q.A.	
COMMENTS:	

REV	Description	DATE
TITLE: OAVTS7575		
SIZE	DWG. NO.	REV
B	OAVTS7575	A
SCALE: 1:2	WEIGHT:	SHEET 1 OF 1

8 7 6 5 4 3 2 1