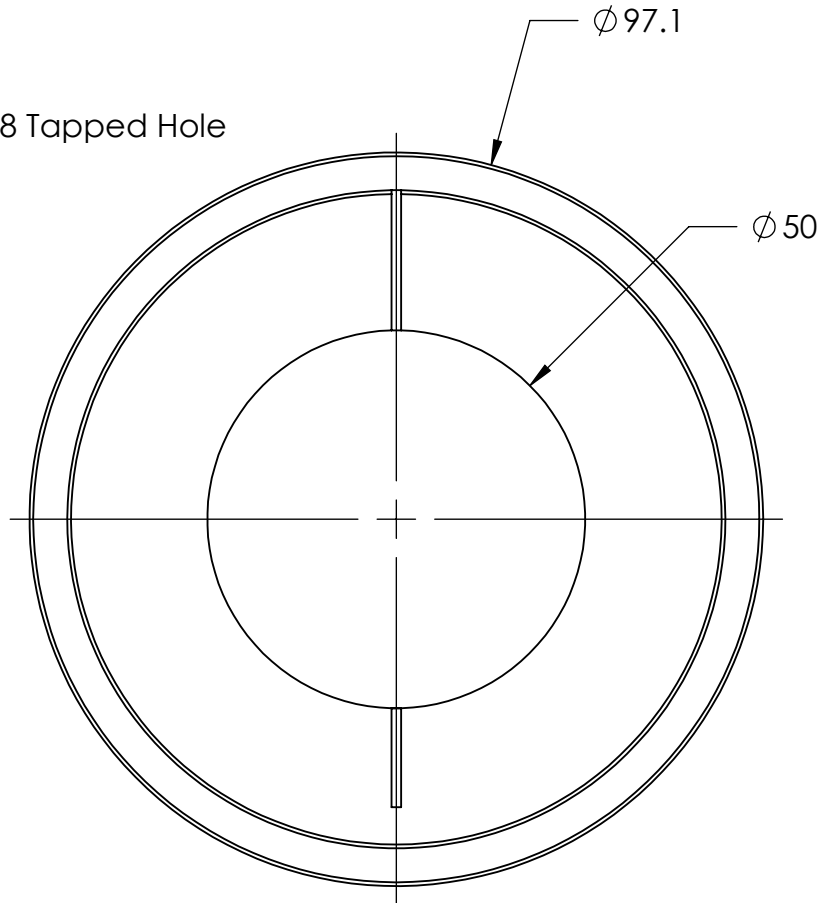


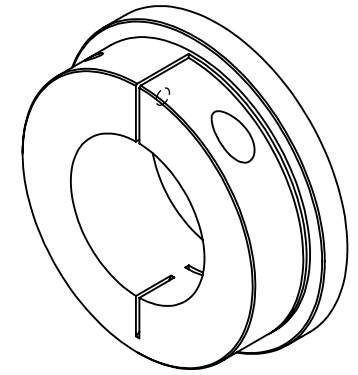
9

M5x0.8 Tapped Hole




$\phi 97.1$

$\phi 50$



**PROPRIETARY AND CONFIDENTIAL**  
 THE INFORMATION CONTAINED IN THIS DRAWING IS THE SOLE PROPERTY OF OAVCO LLC. ANY REPRODUCTION IN PART OR AS A WHOLE WITHOUT THE WRITTEN PERMISSION OF OAVCO LLC IS PROHIBITED.

		UNLESS OTHERWISE SPECIFIED:		NAME	DATE	
		DIMENSIONS ARE IN MILLIMETERS TOLERANCES: FRACTIONAL $\pm$ ANGULAR: $\pm$ ONE PLACE DECIMAL $\pm .2$ TWO PLACE DECIMAL $\pm .1$	DRAWN			
		INTERPRET GEOMETRIC TOLERANCING PER:	CHECKED			<b>50MM FACE COLLAR</b>
		MATERIAL ALUMINUM/ANODIZED	ENG APPR.			
		FINISH	MFG APPR.			SIZE DWG. NO. REV
NEXT ASSY	USED ON		Q.A.			<b>A C50TB1</b>
APPLICATION		DO NOT SCALE DRAWING	COMMENTS:			SCALE: 1:1 WEIGHT: SHEET 1 OF 1

5

4

3

2

1