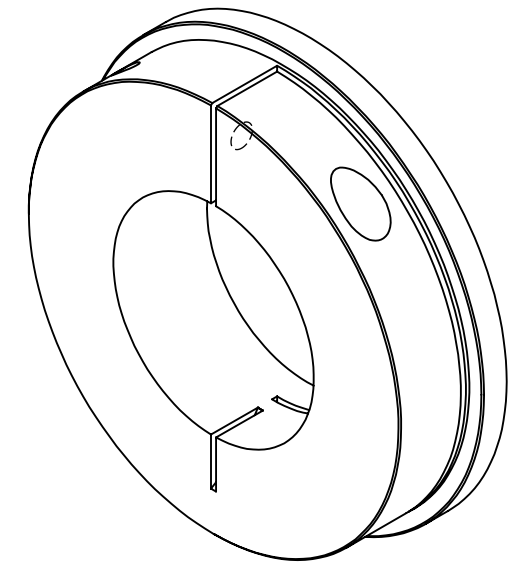
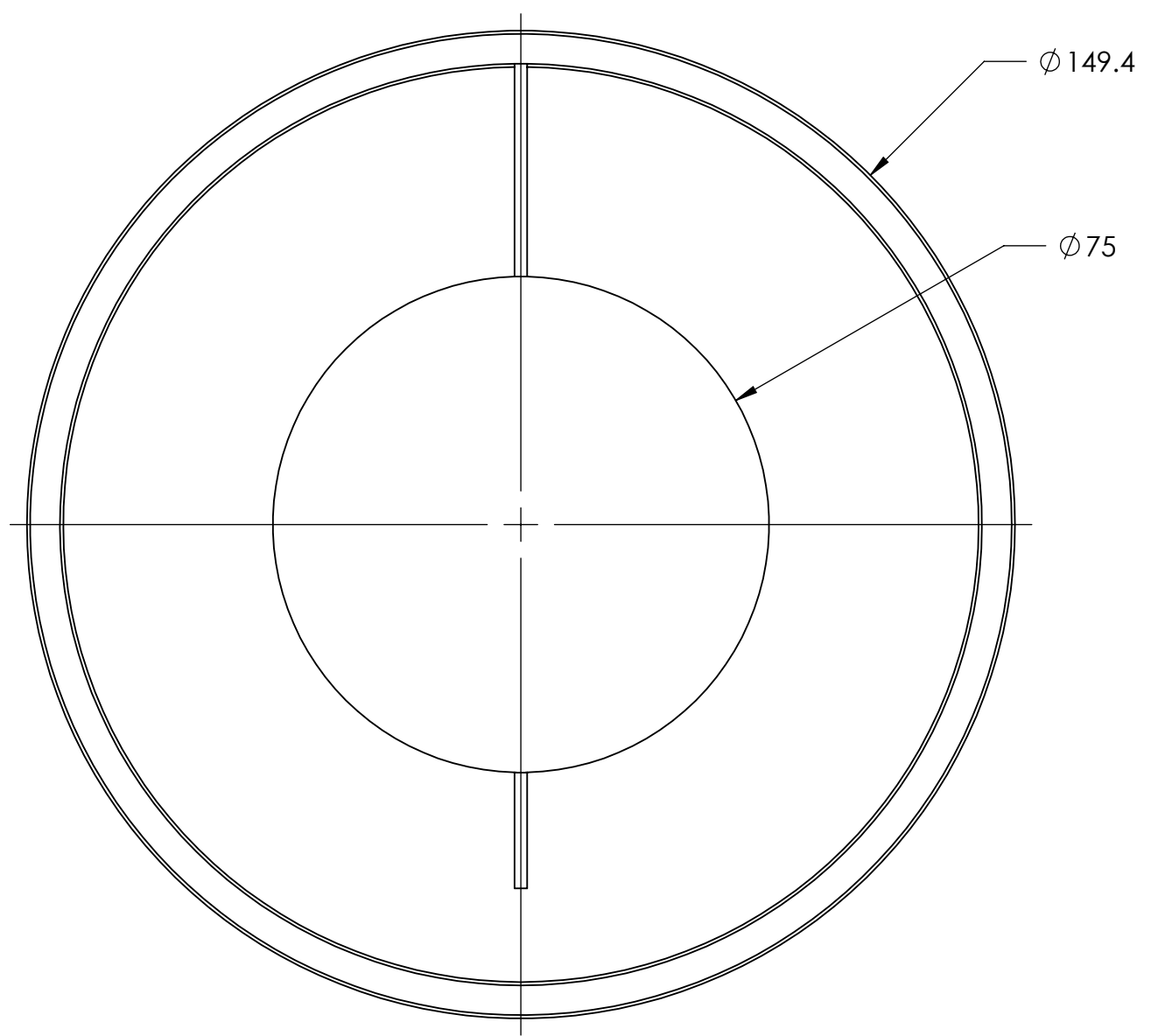
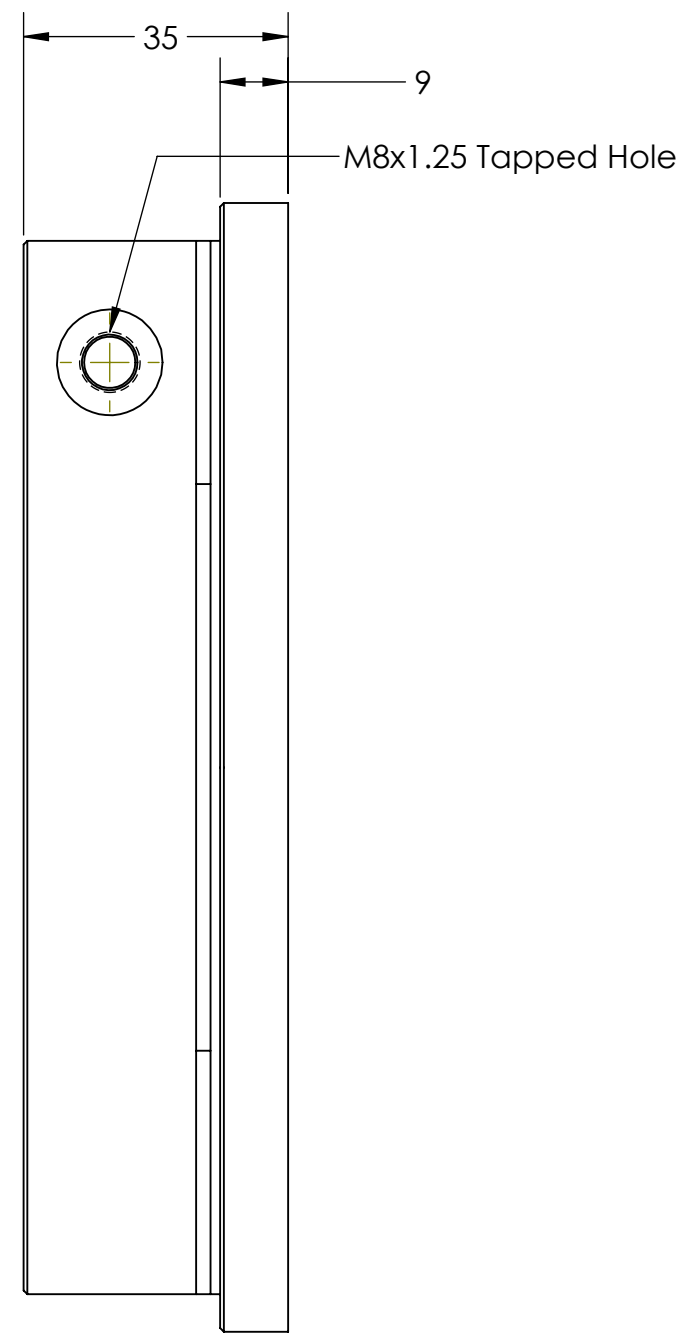



8 7 6 5 4 3 2 1

D
C
B
A



D
C
B
A

PROPRIETARY AND CONFIDENTIAL
 THE INFORMATION CONTAINED IN THIS DRAWING IS THE SOLE PROPERTY OF OAVCO LLC. ANY REPRODUCTION IN PART OR AS A WHOLE WITHOUT THE WRITTEN PERMISSION OF OAVCO LLC IS PROHIBITED.

		UNLESS OTHERWISE SPECIFIED:		NAME	DATE	 TITLE: 75MM FACE COLLAR
		DIMENSIONS ARE IN MILLIMETERS	DRAWN			
		TOLERANCES:	CHECKED			
		FRACTIONAL \pm	ENG APPR.			
		ANGULAR: MACH $\pm 1/4^\circ$	MFG APPR.			
		ONE PLACE DECIMAL $\pm .2$	Q.A.			
		TWO PLACE DECIMAL $\pm .1$	COMMENTS:			
		INTERPRET GEOMETRIC TOLERANCING PER:				SIZE
		MATERIAL				DWG. NO.
		ALUMINUM/ANODIZED				REV
		FINISH				
NEXT ASSY	USED ON					SCALE: 1:1
APPLICATION		DO NOT SCALE DRAWING				WEIGHT:
						SHEET 1 OF 1

8 7 6 5 4 3 2 1