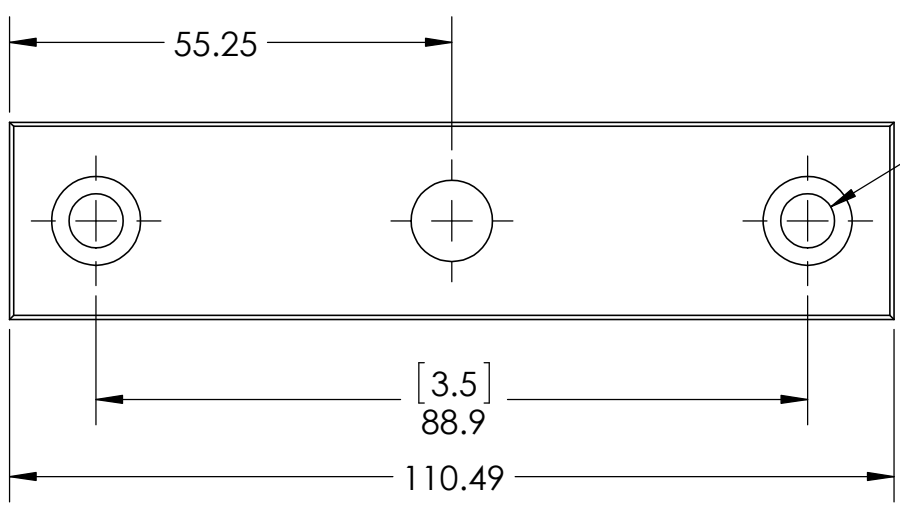
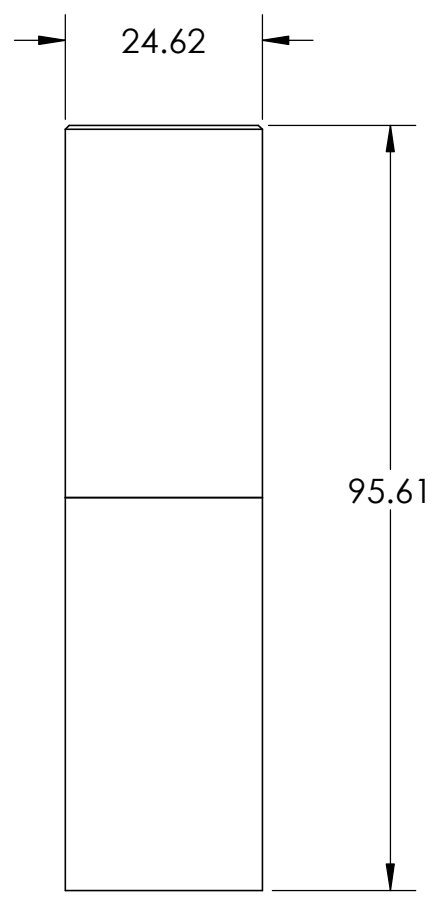
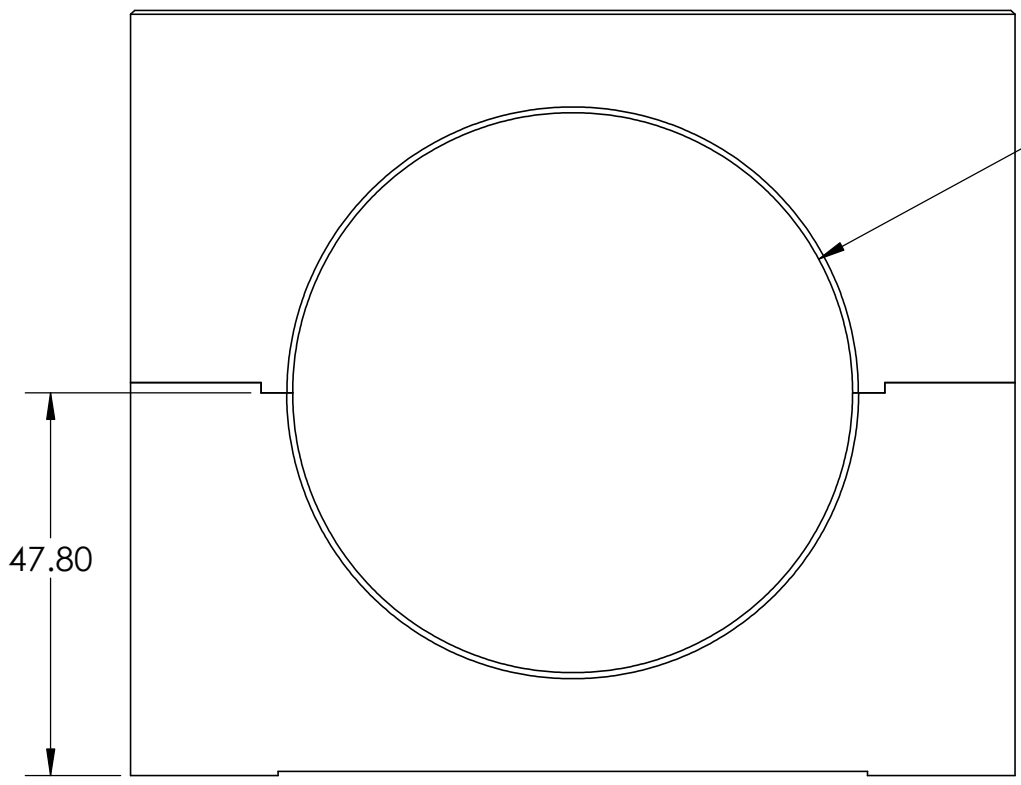


8 7 6 5 4 3 2 1



2 x ϕ 6.76 THRU ALL
 \square ϕ 11.11 ∇ 6.35

NOTE:
 1. MATERIAL MUST BE ALUMINUM 6061-T6
 2. BLACK HARD ANODIZE PER MIL-A-8625 TYPE III, CLASS 2.




D
C
B
A

D
C
B
A

PROPRIETARY AND CONFIDENTIAL
 THIS DOCUMENT IS THE PROPERTY OF OAVCORP. AND IT MAY NOT BE USED, REPRODUCED, PUBLISHED OR DISCLOSED TO OTHERS WITHOUT WRITTEN AUTHORIZATION BY THE COMPANY. IF LOANED, THIS DOCUMENT IS SUBJECT TO RETURN UPON DEMAND AND WITH THE UNDERSTANDING THAT IT IS NOT TO BE USED DIRECTLY OR INDIRECTLY IN ANY WAY DETRIMENTAL TO THE COMPANY

		UNLESS OTHERWISE SPECIFIED:		NAME	DATE
		UNLESS OTHERWISE SPECIFIED DIMENSIONS ARE IN INCHES	DRAWN	EM	08/07/19
		TOLERANCES:	CHECKED		
		FRACTIONAL $\pm 1/64$	ENG APPR.		
		ANGULAR: $\pm 1/4^\circ$	MFG APPR.		
		TWO PLACE DECIMAL $\pm .01$	Q.A.		
		THREE PLACE DECIMAL $\pm .005$	COMMENTS:		
		INTERPRET GEOMETRIC TOLERANCING PER: ASME Y14.5			
		MATERIAL	See note		
		FINISH	See note		
NEXT ASSY	USED ON				
APPLICATION		DO NOT SCALE DRAWING			

REV	Description	DATE
		
TITLE: Mounting Block 20mm Roller Bearing		
SIZE	DWG. NO.	REV
B	MB20RL_basic_basic	A
SCALE: 1:1	WEIGHT:	SHEET 1 OF 1

8 7 6 5 4 3 2 1