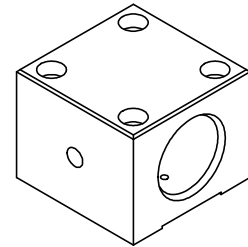
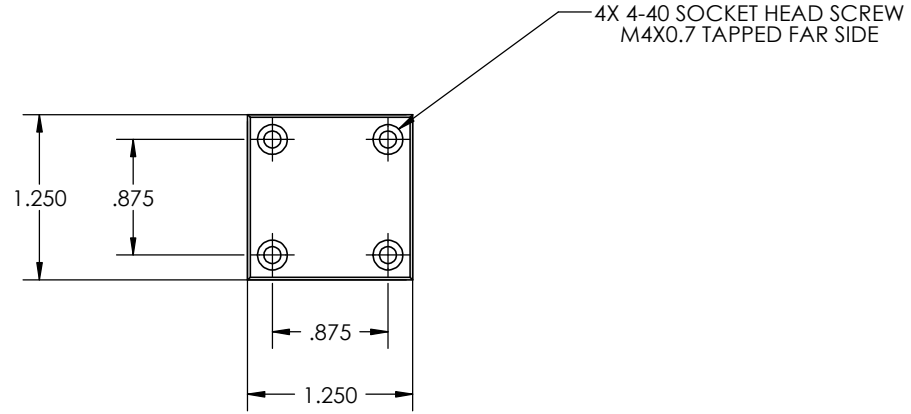


8 7 6 5 4 3 2 1

D

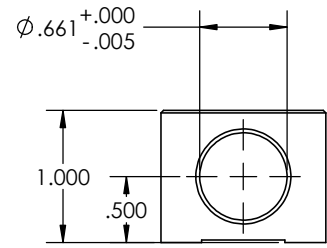
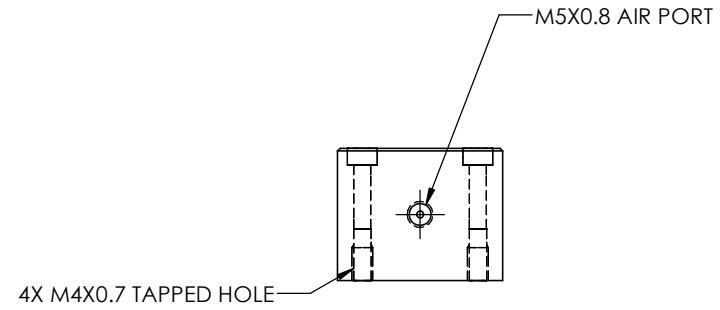


D

C

C

B




B

A

A

8 7 6 5 4 3 2 1

PROPRIETARY AND CONFIDENTIAL
THE INFORMATION CONTAINED IN THIS DRAWING IS THE SOLE PROPERTY OF OAVCO LLC. ANY REPRODUCTION IN PART OR AS A WHOLE WITHOUT THE WRITTEN PERMISSION OF OAVCO LLC IS PROHIBITED.

		UNLESS OTHERWISE SPECIFIED:		NAME	DATE		
		DIMENSIONS ARE IN INCHES		DRAWN			
		TOLERANCES:		CHECKED		TITLE:	
		FRACTIONAL \pm		ENG APPR.		6MM & 0.25 INCH MOUNTING BLOCK	
		ANGULAR: MACH \pm BEND \pm		MFG APPR.		SIZE	DWG. NO.
		TWO PLACE DECIMAL \pm		Q.A.		B	MBi0250
		THREE PLACE DECIMAL \pm		COMMENTS:		REV	
		INTERPRET GEOMETRIC TOLERANCING PER:				SCALE: 1:1	WEIGHT:
		MATERIAL				SHEET 1 OF 1	
		FINISH					
NEXT ASSY	USED ON	APPLICATION					
		DO NOT SCALE DRAWING					