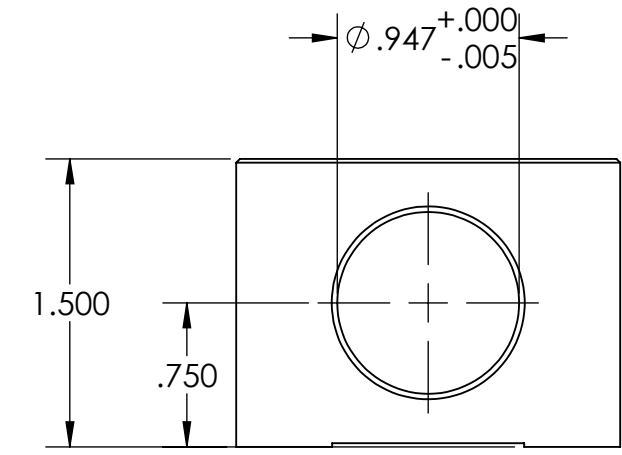
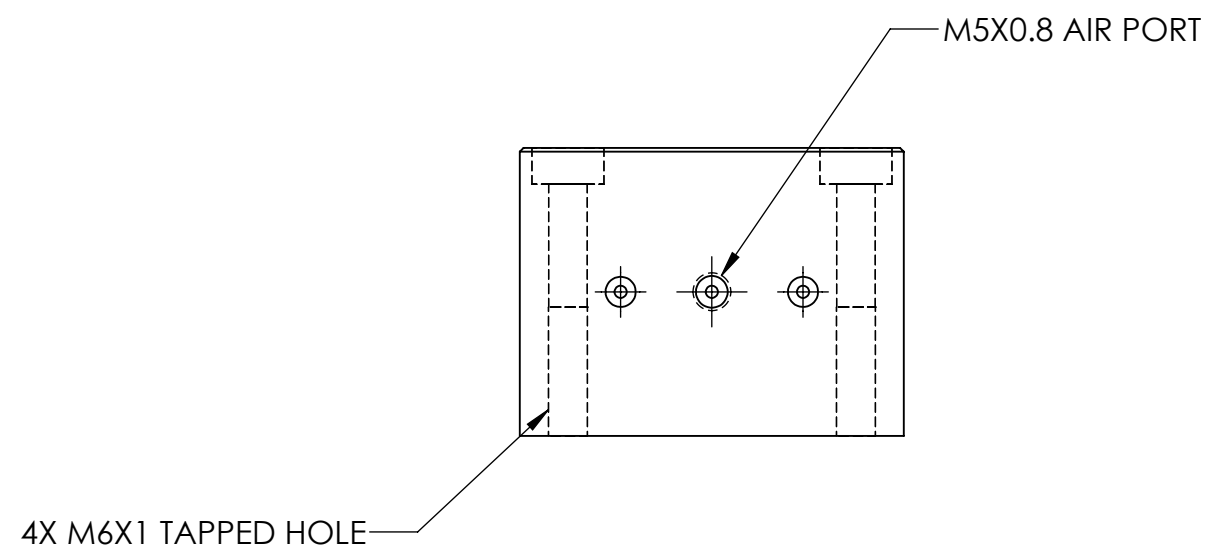
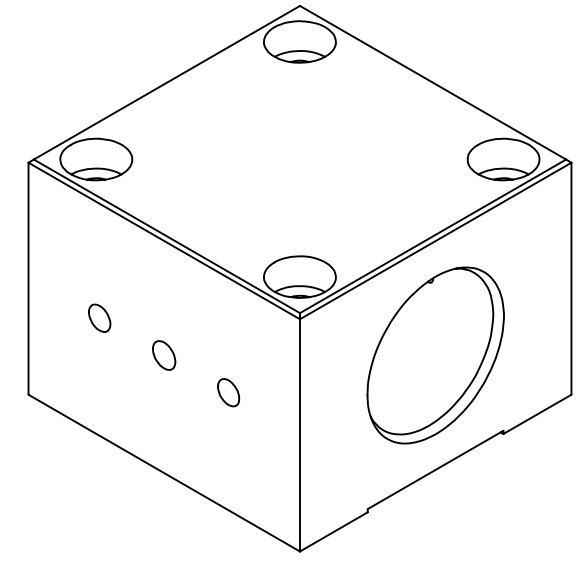
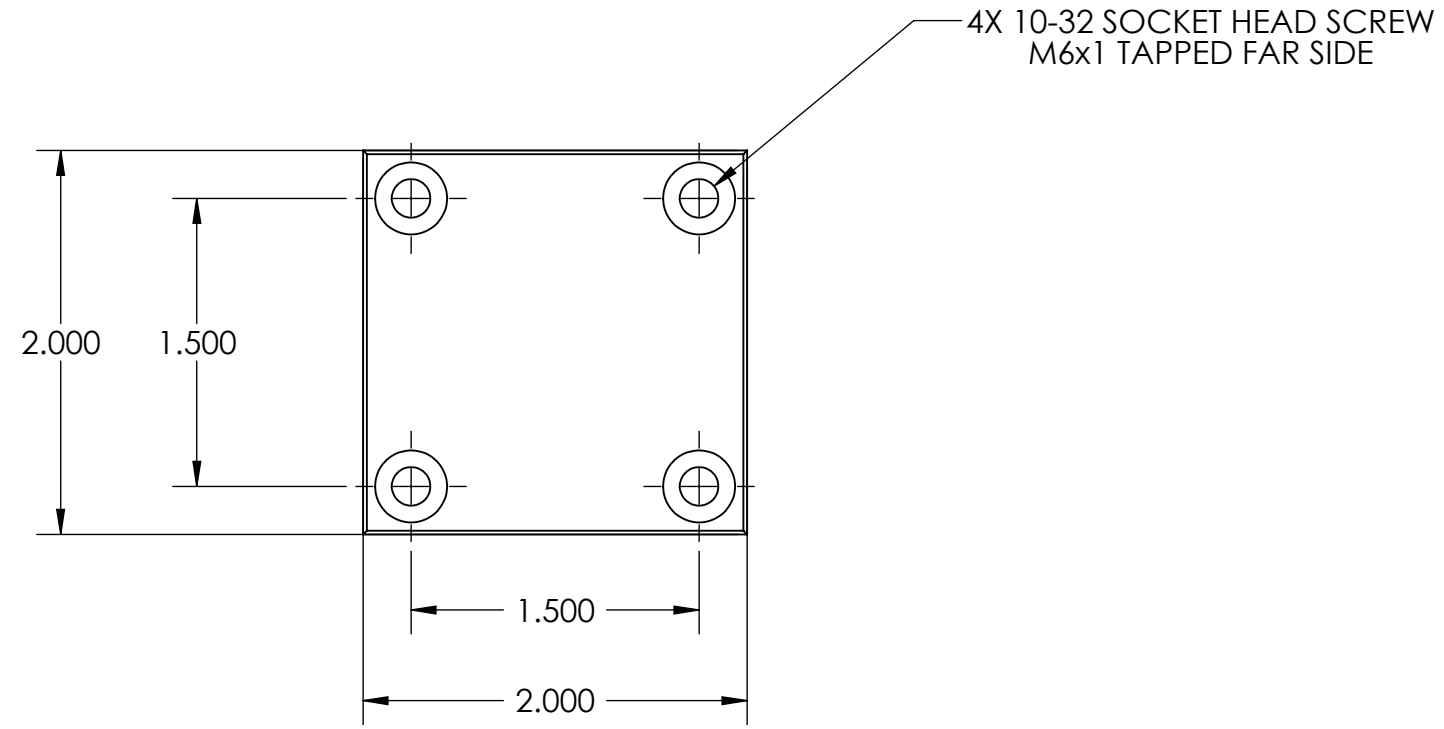



8 7 6 5 4 3 2 1



D  
C  
B  
A

D  
C  
B  
A

**PROPRIETARY AND CONFIDENTIAL**  
THE INFORMATION CONTAINED IN THIS DRAWING IS THE SOLE PROPERTY OF OAVCO LLC. ANY REPRODUCTION IN PART OR AS A WHOLE WITHOUT THE WRITTEN PERMISSION OF OAVCO LLC IS PROHIBITED.

		UNLESS OTHERWISE SPECIFIED:		NAME	DATE	 <b>TITLE:</b> 13MM & 0.50 INC MOUNTING BLOCK		
		DIMENSIONS ARE IN INCHES TOLERANCES: FRACTIONAL ± ANGULAR: MACH ± BEND ± TWO PLACE DECIMAL ± THREE PLACE DECIMAL ±		DRAWN				SIZE
		INTERPRET GEOMETRIC TOLERANCING PER:		COMMENTS:		<b>B</b>	MBi0500	r1
		MATERIAL				SCALE: 1:1	WEIGHT:	SHEET 1 OF 1
		FINISH						
NEXT ASSY	USED ON	DO NOT SCALE DRAWING						
APPLICATION								

8 7 6 5 4 3 2 1