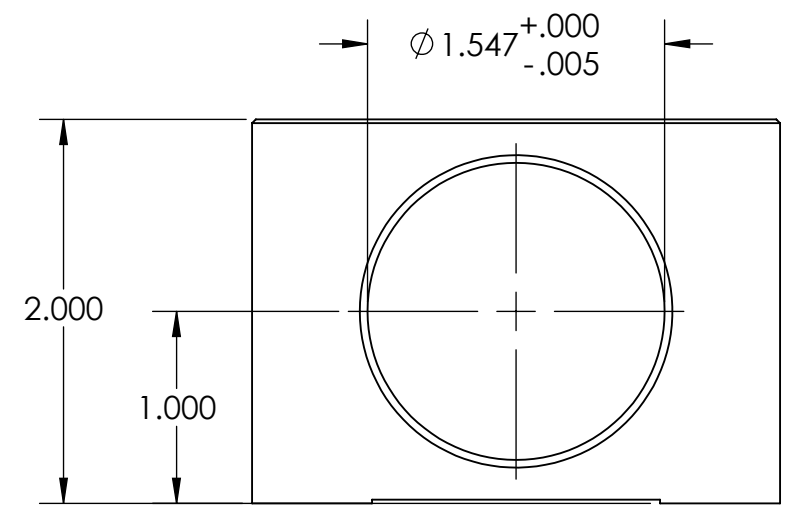
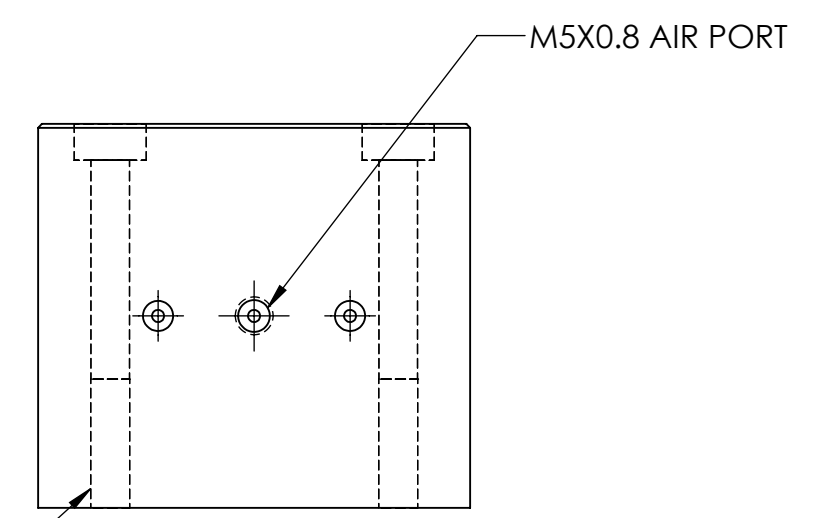
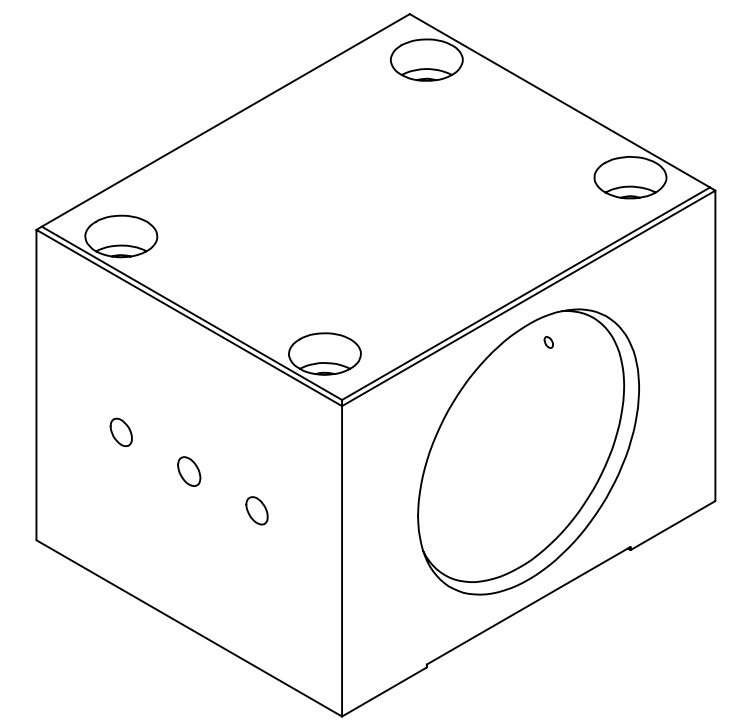
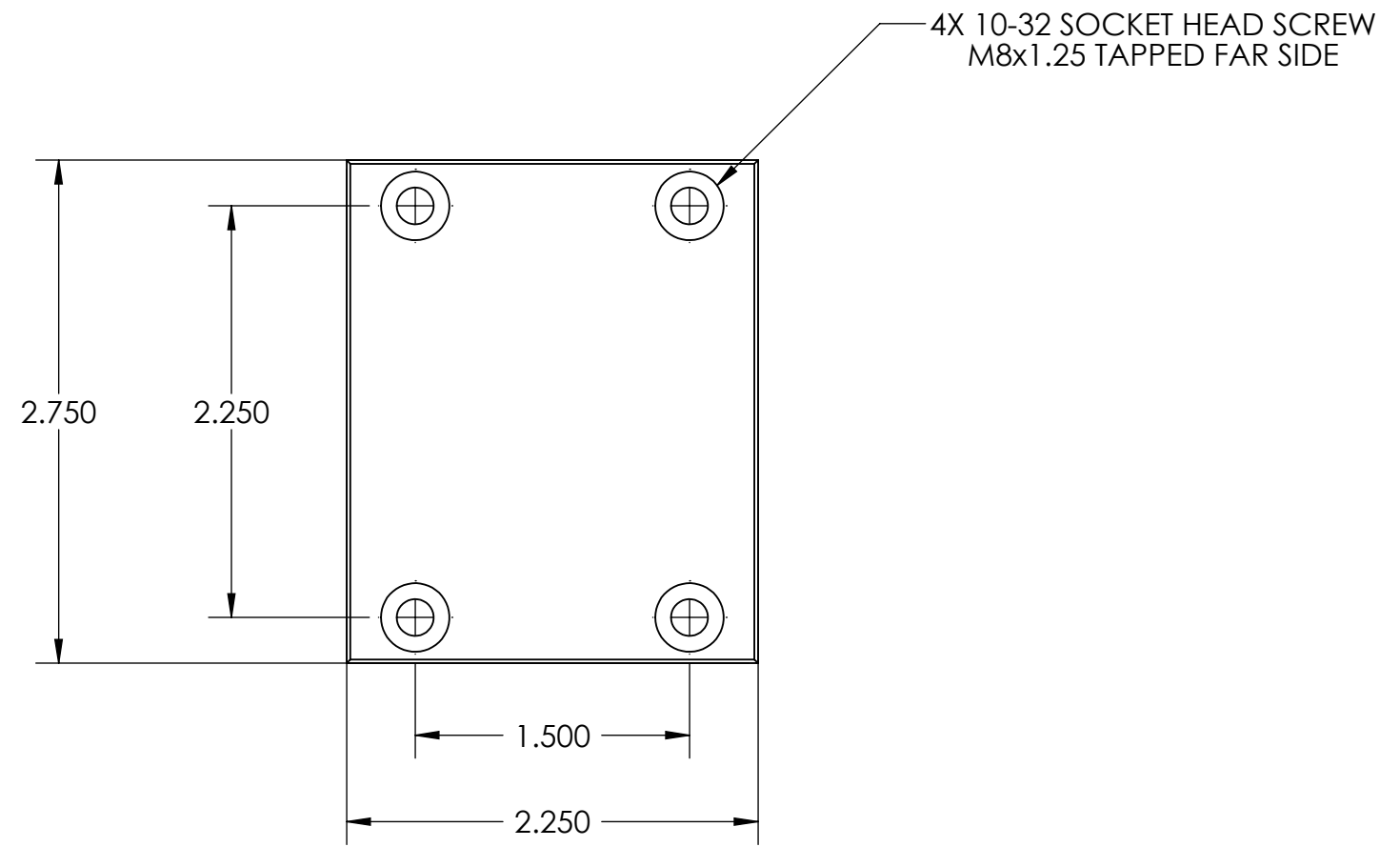


8 7 6 5 4 3 2 1



4X M8X1.25 TAPPED HOLE

PROPRIETARY AND CONFIDENTIAL
THE INFORMATION CONTAINED IN THIS DRAWING IS THE SOLE PROPERTY OF OAVCO LLC. ANY REPRODUCTION IN PART OR AS A WHOLE WITHOUT THE WRITTEN PERMISSION OF OAVCO LLC IS PROHIBITED.

		UNLESS OTHERWISE SPECIFIED:				NAME		DATE	
		DIMENSIONS ARE IN INCHES		DRAWN					
		TOLERANCES:		CHECKED					
		FRACTIONAL ±		ENG APPR.					
		ANGULAR: MACH ± BEND ±		MFG APPR.					
		TWO PLACE DECIMAL ±		Q.A.					
		THREE PLACE DECIMAL ±		COMMENTS:					
		INTERPRET GEOMETRIC TOLERANCING PER:							
		MATERIAL							
		FINISH							
NEXT ASSY	USED ON								
APPLICATION		DO NOT SCALE DRAWING							
					TITLE:				
					25MM & 1.00 INC MOUNTING BLOCK				
SIZE		DWG. NO.			REV				
B		MBi1000							
SCALE: 1:1		WEIGHT:		SHEET 1 OF 1					

8 7 6 5 4 3 2 1