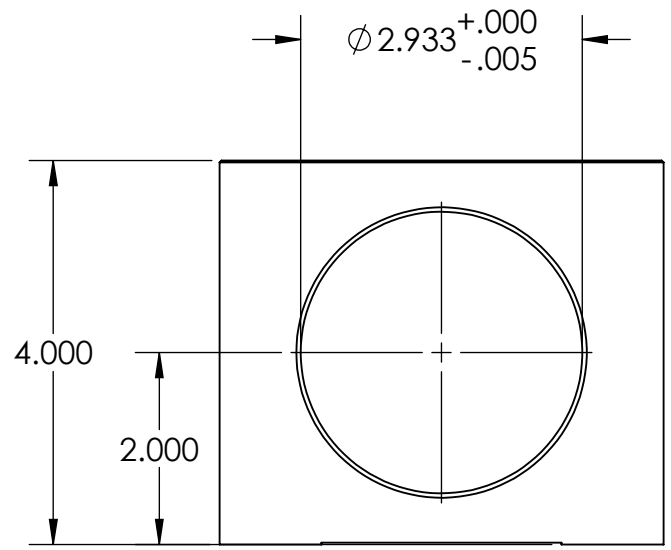
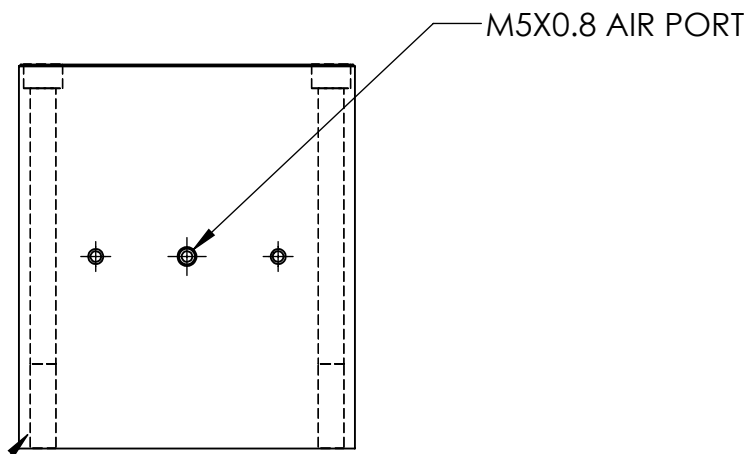
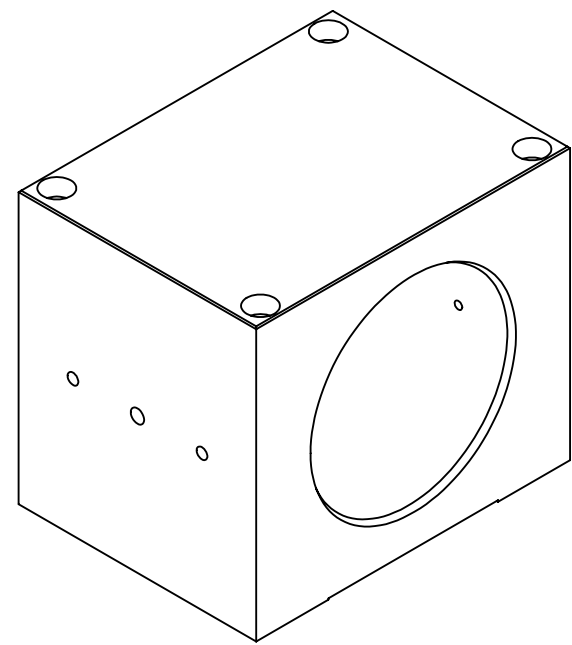
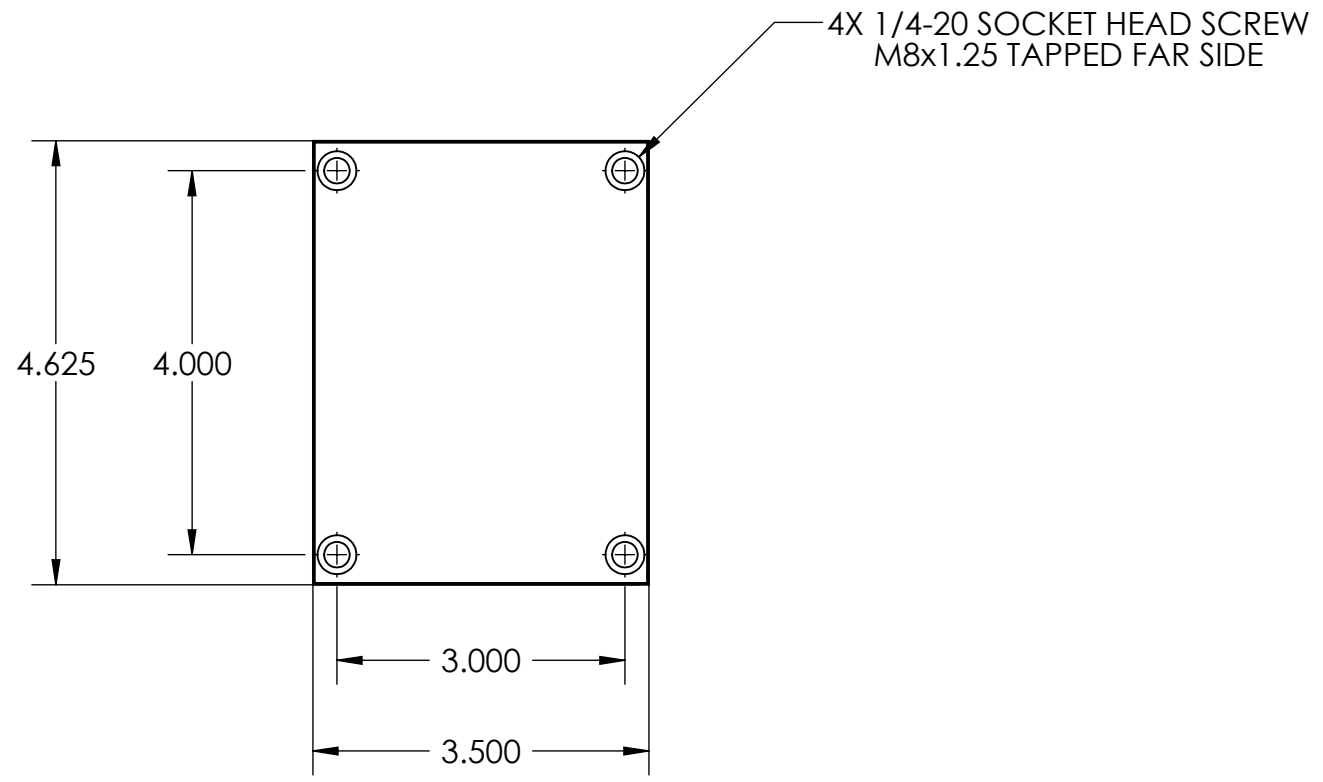


8 7 6 5 4 3 2 1

D
C
B
A

D
C
B
A



PROPRIETARY AND CONFIDENTIAL
THE INFORMATION CONTAINED IN THIS DRAWING IS THE SOLE PROPERTY OF OAVCO LLC. ANY REPRODUCTION IN PART OR AS A WHOLE WITHOUT THE WRITTEN PERMISSION OF OAVCO LLC IS PROHIBITED.

| | | | | | | | | | |
|--|----------|--------------------------------------|-----|----------------------|--------------|--------------|--|------|--|
| | | UNLESS OTHERWISE SPECIFIED: | | | | NAME | | DATE | |
| | | DIMENSIONS ARE IN INCHES | | DRAWN | | | | | |
| | | TOLERANCES: | | CHECKED | | | | | |
| | | FRACTIONAL ± | | ENG APPR. | | | | | |
| | | ANGULAR: MACH ± BEND ± | | MFG APPR. | | | | | |
| | | TWO PLACE DECIMAL ± | | Q.A. | | | | | |
| | | THREE PLACE DECIMAL ± | | COMMENTS: | | | | | |
| | | INTERPRET GEOMETRIC TOLERANCING PER: | | | | | | | |
| | | MATERIAL | | ALUMINUM | | | | | |
| NEXT ASSY | | USED ON | | FINISH | | HARD ANODIZE | | | |
| APPLICATION | | | | DO NOT SCALE DRAWING | | | | | |
| | | | | | | | | | |
| TITLE: 50MM & 2.00 INC MOUNTING BLOCK | | | | | | | | | |
| SIZE | DWG. NO. | | REV | | | | | | |
| B | MBi2000 | | | | | | | | |
| SCALE: 1:2 | | WEIGHT: | | | SHEET 1 OF 1 | | | | |

8 7 6 5 4 3 2 1