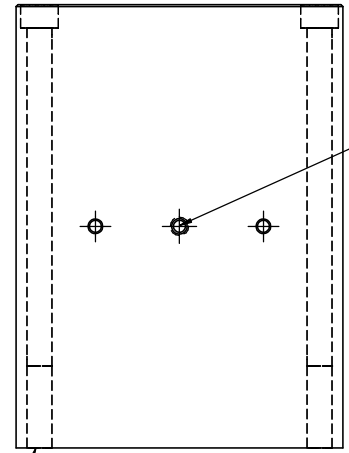
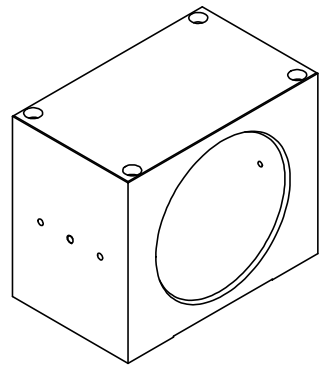
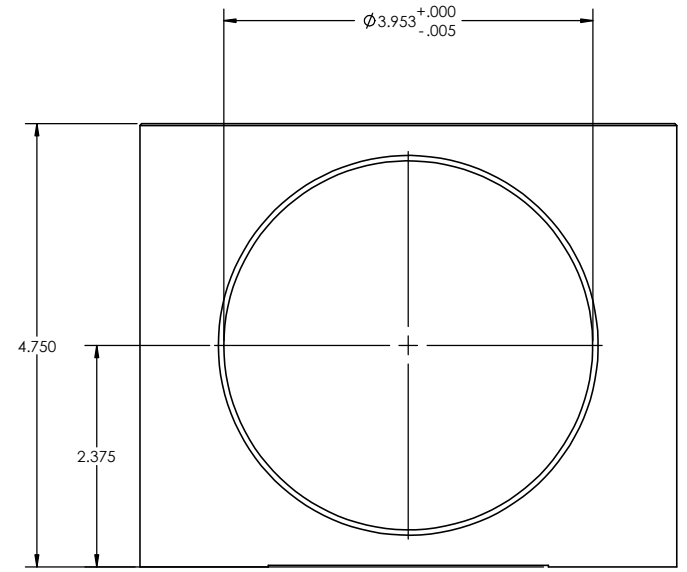


4X 1/4-20 SOCKET HEAD SCREW
M8X1.25 TAPPED FAR SIDE



M5X0.8 AIR PORT

4X M8X1.25 TAPPED HOLE



PROPRIETARY AND CONFIDENTIAL
THE INFORMATION CONTAINED IN THIS DRAWING IS THE SOLE PROPERTY OF QAVCO, LLC. ANY REPRODUCTION IN PART OR AS A WHOLE WITHOUT THE WRITTEN PERMISSION OF QAVCO, LLC IS PROHIBITED.

UNLESS OTHERWISE SPECIFIED:		NAME	DATE	
DIMENSIONS ARE IN INCHES		DRAWN		
TOLERANCES:		CHECKED		
FRACTIONAL: ±		ENG APPR.		
ANGULAR: (MACH) ± BEND ±		MFG APPR.		TITLE: 75MM & 3.00 INC MOUNTING BLOCK
TWO PLACE DECIMAL: ±		Q.A.		
THREE PLACE DECIMAL: ±		COMMENTS:		SIZE DWG. NO
INTERPRET GEOMETRIC TOLERANCING PER:				C MBI3000
MATERIAL:				REV
FINISH:				
NEXT ASSY	USED ON	ALUMINUM		SCALE: 1:1
APPLICATION	DO NOT SCALE DRAWING	HARD ANODIZE		WEIGHT:
				SHEET 1 OF 1