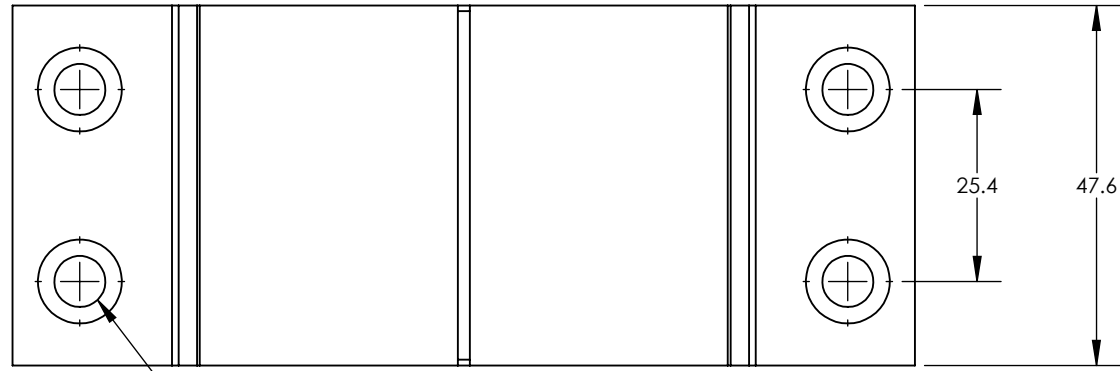


8 7 6 5 4 3 2 1

D

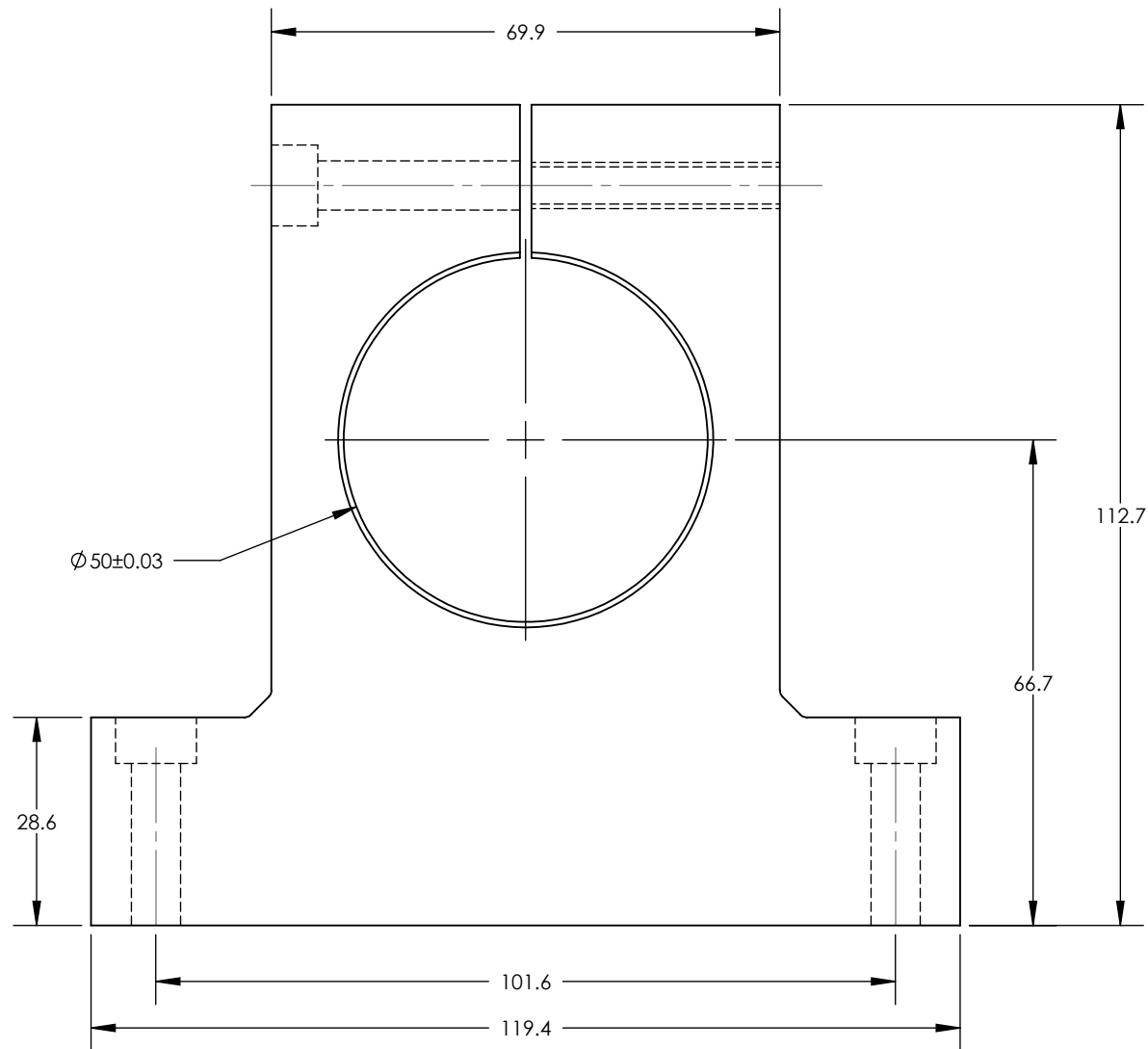
D



M6 SCREW TYP

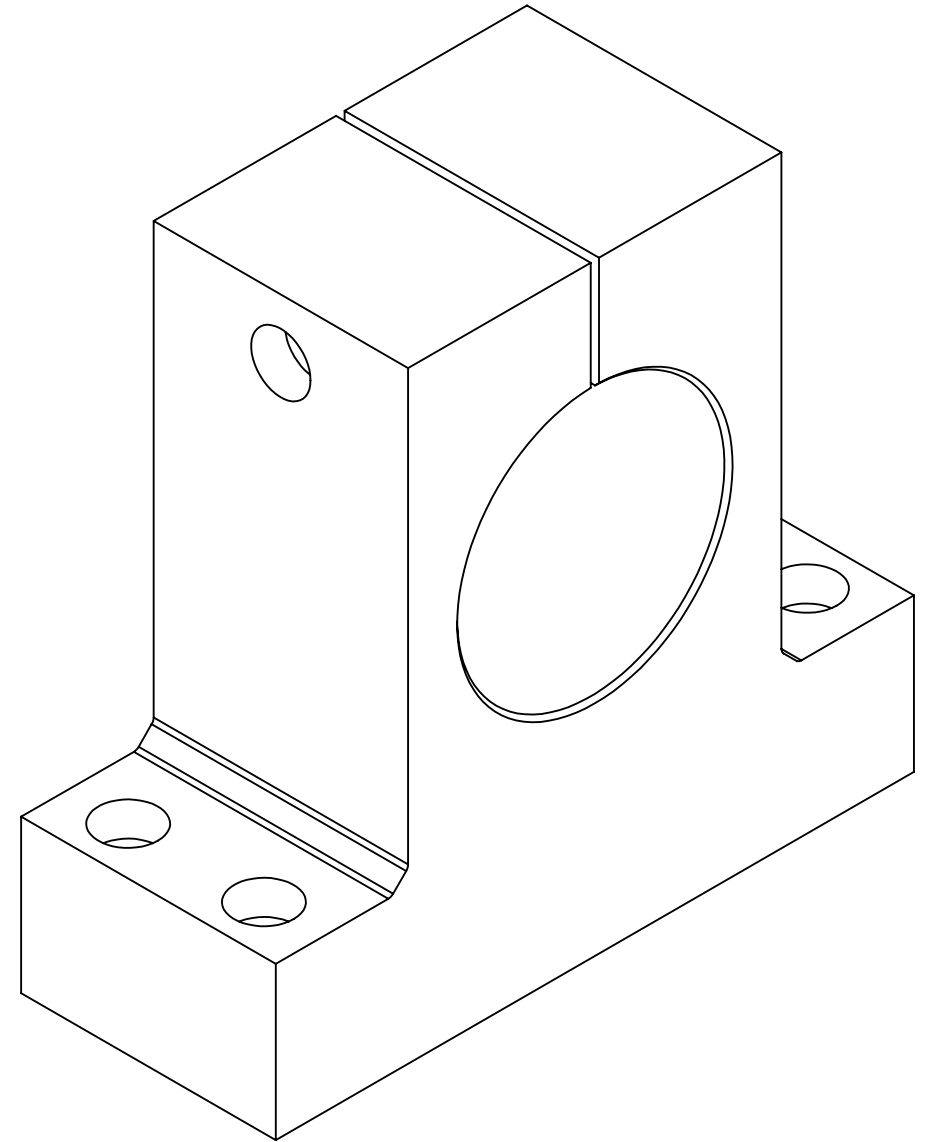
C

C



B

B



NOTES:

- 1) MATERIAL ALUMINUM 6061-T6
- 2) BLACK HARD ANODIZE

A

A

**PROPRIETARY AND CONFIDENTIAL**  
 THE INFORMATION CONTAINED IN THIS DRAWING IS THE SOLE PROPERTY OF OAVCO LLC. ANY REPRODUCTION IN PART OR AS A WHOLE WITHOUT THE WRITTEN PERMISSION OF OAVCO LLC IS PROHIBITED.

		UNLESS OTHERWISE SPECIFIED:		NAME	DATE
		DIMENSIONS ARE IN MILLIMETERS	DRAWN		
		TOLERANCES:	CHECKED		
		FRACTIONAL $\pm$	ENG APPR.		
		ANGULAR: $\pm 1/4^\circ$	MFG APPR.		
		ONE PLACE DECIMAL $\pm .2$	Q.A.		
		TWO PLACE DECIMAL $\pm .1$	COMMENTS:		
		INTERPRET GEOMETRIC TOLERANCING PER:			
		MATERIAL			
NEXT ASSY	USED ON	FINISH			
APPLICATION		DO NOT SCALE DRAWING			

TITLE: <b>50MM SHAFT END MOUNTING</b>		
SIZE <b>B</b>	DWG. NO. <b>SEMM-OAV50</b>	REV
SCALE: 1:1	WEIGHT:	SHEET 1 OF 1

8 7 6 5 4 3 2 1