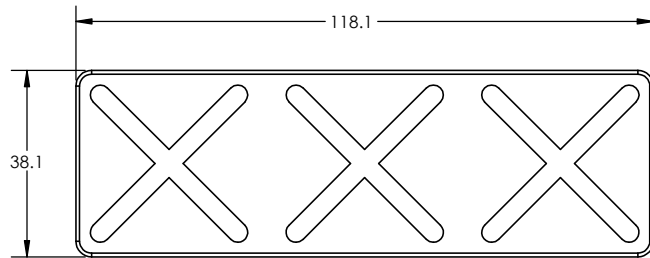
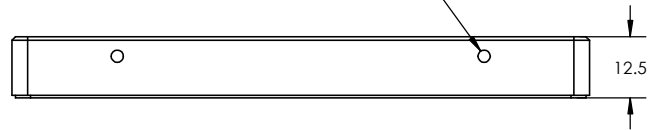
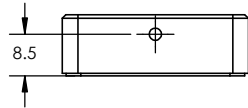
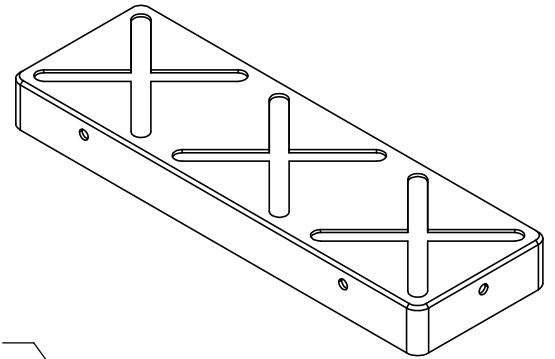



Title	Specification
Size	38mm x 118mm
Part Number	OAVBB38118
Input Pressure	0.27 to 0.68 MPa (40 to 100 PSI)
Ideal Load	934 N (210 lbs)
Flow	7 SCFH
Fly Height	5 micron
Bearing Height	12.5 mm
Bearing Weight	129 grams
Housing Material/Finish	Aluminum/Anodized
Porous Media Material	Carbon
Flatness	.0005mm(.00002 in)
Port Thread	M3 x 0.5



PROPRIETARY AND CONFIDENTIAL
 THE INFORMATION CONTAINED IN THIS DRAWING IS THE SOLE PROPERTY OF OAVCO LLC. ANY REPRODUCTION IN PART OR AS A WHOLE WITHOUT THE WRITTEN PERMISSION OF OAVCO LLC IS PROHIBITED.

		UNLESS OTHERWISE SPECIFIED:		NAME	DATE	 TITLE: 38MM X 118MM BONDED BEARING	
		DIMENSIONS ARE IN MILLIMETERS		DRAWN	JS		1/13/23
		TOLERANCES:		CHECKED			
		FRACTIONAL ±		ENG APPR.			
		ANGULAR: MACH ± BEND ±		MFG APPR.			
		TWO PLACE DECIMAL ±		Q.A.			
		THREE PLACE DECIMAL ±		COMMENTS:			
		INTERPRET GEOMETRIC TOLERANCING PER:					
		MATERIAL ALUMINUM 7075/ CARBON					
NEXT ASSY	USED ON	FINISH ANODIZE PER MIL-A-8625				SIZE B DWG. NO. OAVBB38118 REV A	
APPLICATION		DO NOT SCALE DRAWING				SCALE: 1:1 WEIGHT: SHEET 1 OF 1	