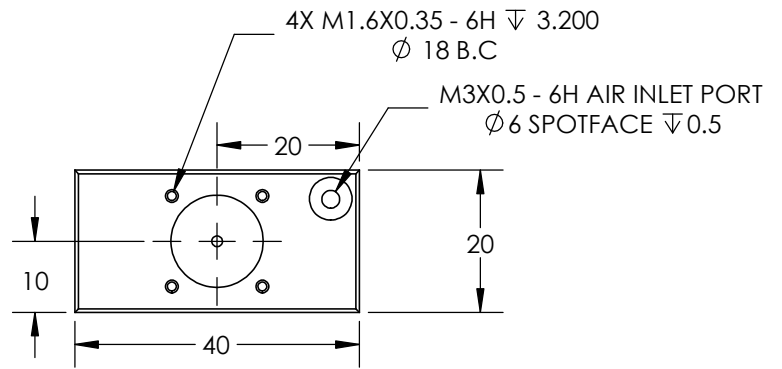
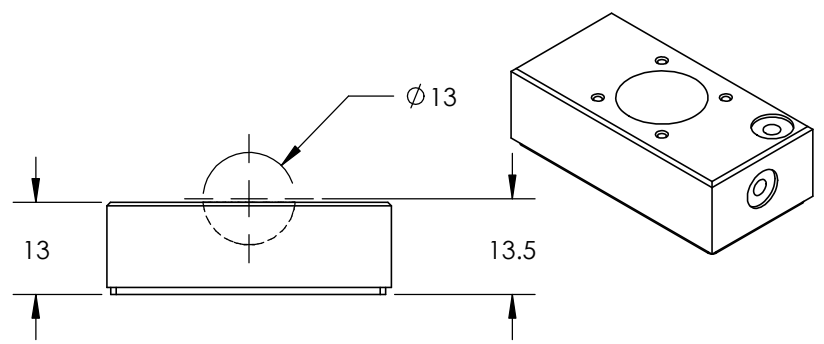



| Title | Specification |
|---------------------------|--------------------------------|
| Size | 20mmx40mm |
| Part Number | OAVF20L40V |
| Input Pressure | 0.27 to 0.68MPa(40 to 100 PSI) |
| Input Vacuum | 15 in Hg(50.8 kPa) |
| Ideal Load | 116 N(26 lbs) |
| Stiffness | 10 N/micron (0.058 lbs/μ in) |
| Hold Down Force @ 50.8kPa | 17N(3.8 lbs) |
| Flow | 1.44 SCFH |
| Fly Height | 5 micron |
| Bearing Height | 13mm |
| Bearing Weight | 22.5 gram |
| Housing Material/Finish | Aluminum/Anodized |
| Porous Media Material | Carbon |
| Flatness | 0.0005mm(.00002in) |
| Pressure Port Thread | M3x0.5 |



| | | | | | | | | | |
|---|--|---|--|-----------------------------------|--|-----------------------|--|--|--|
| UNLESS OTHERWISE SPECIFIED: DIMENSIONS ARE IN MILLIMETERS SURFACE FINISH: TOLERANCES: LINEAR: ANGULAR: | | FINISH: ANODIZE AS PER MIL-A-8625 | | DEBUR AND BREAK SHARP EDGES | | DO NOT SCALE DRAWING | | REVISION | |
| DRAWN | | NAME | | SIGNATURE | | DATE | |  TITLE: 20MM X 40MM FLAT RECT VAC PRELOAD AIR BEARING | |
| CHK'D | | | | | | | | | |
| APPV'D | | | | | | | | | |
| MFG | | | | | | | | | |
| Q.A | | | | | | | | | |
| | | | | MATERIAL: ALUMINUM 7075/CARBON | | DWG NO. OAVF20L40V | | A4 | |
| | | | | WEIGHT: | | SCALE:1:1 | | SHEET 1 OF 1 | |