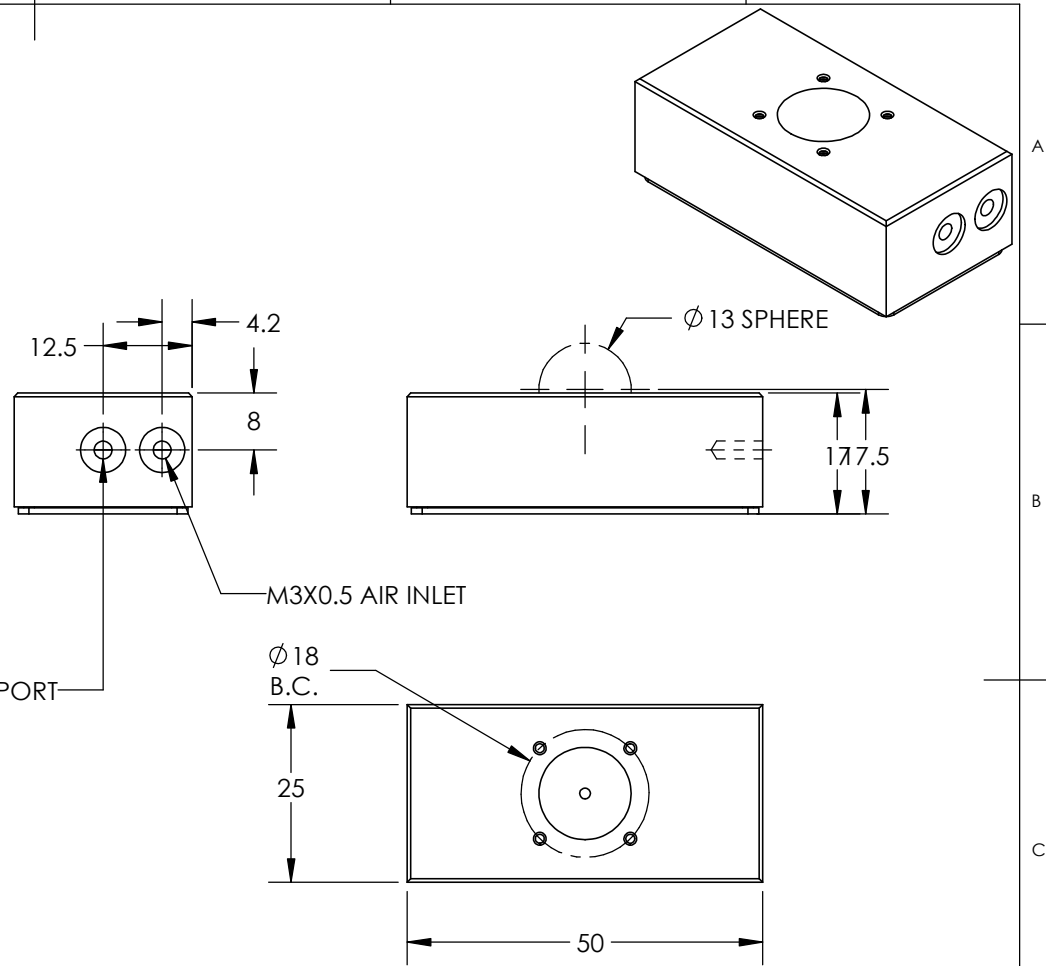


Title	Specification
Size	25mmx50mm
Part Number	OAVF25L50V
Input Pressure	0.27 to 0.68MPa(40 to 100 PSI)
Input Vacuum	15 in Hg(50.8 kPa)
Ideal Load	185 N(41 lbs)
Stiffness	16 N/micron (0.096 lbs/μ in)
Hold Down Force @ 50.8kPa	26N(5.9 lbs)
Flow	1.78 SCFH
Fly Height	5 micron
Bearing Height	13mm
Bearing Weight	48 gram
Housing Material/Finish	Aluminum/Anodized
Porous Media Material	Carbon
Flatness	0.0005mm(.00002in)
Pressure Port Thread	M3x0.5



UNLESS OTHERWISE SPECIFIED:
DIMENSIONS ARE IN MILLIMETERS
SURFACE FINISH:
TOLERANCES:
LINEAR:
ANGULAR:

FINISH:

BLUE ANODIZE
AS PER MIL-A-8625

DEBUR AND
BREAK SHARP
EDGES

DO NOT SCALE DRAWING

REVISION

NAME	SIGNATURE	DATE			
DRAWN					
CHK'D					
APPV'D					
MFG					
Q.A					
			MATERIAL: ALUMINUM 7075/CARBON		
			WEIGHT:		

TITLE:

25MM X 50MM
FLAT RECT VAC
PRELOAD AIR BEARING

DWG NO.

OAVF25L50V

A4

SCALE:1:1

SHEET 1 OF 1

