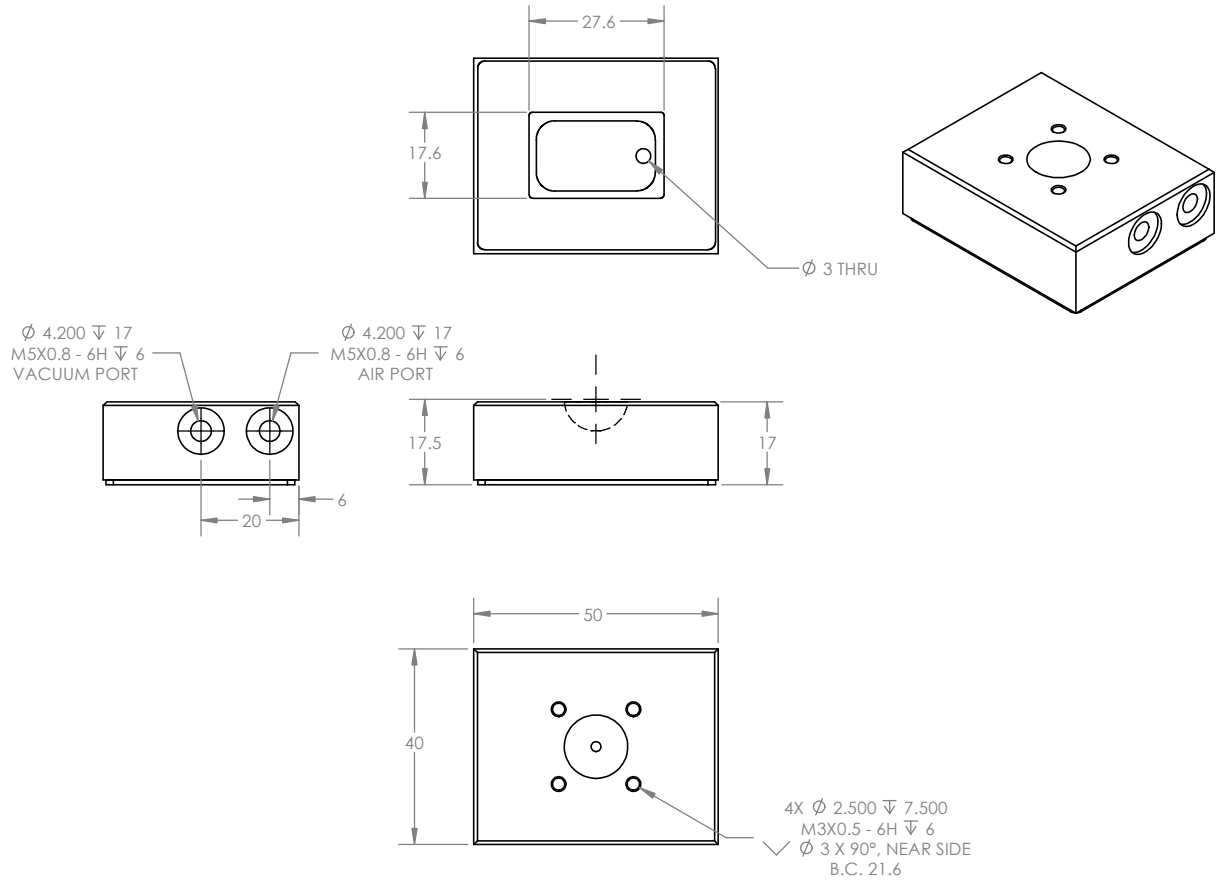


Title	Specification
Size	40mm x 50mm
Part Number	OAVF40L50V
Input Pressure	0.27 to 0.68 MPa (40 to 100 PSI)
Input Vacuum	15 in Hg(50.8 kPa)
Ideal Load	303 N (68 lbs)
Stiffness	26.5 N/micron (0.15 lbs/μ in)
Hold Down Force @ 50.8kPa	42 N (9.4 lbs)
Flow	2.2 SCFH
Fly Height	5 micron
Bearing Height	17 mm
Bearing Weight	73 grams
Housing Material/Finish	Aluminum/Anodized
Porous Media Material	Carbon
Flatness	.0005mm(.00002 in)
Port Thread	M5 x 0.8



PROPRIETARY AND CONFIDENTIAL
 THE INFORMATION CONTAINED IN THIS DRAWING IS THE SOLE PROPERTY OF OAVCO LLC. ANY REPRODUCTION IN PART OR AS A WHOLE WITHOUT THE WRITTEN PERMISSION OF OAVCO LLC IS PROHIBITED.

		UNLESS OTHERWISE SPECIFIED:		NAME	DATE
		DIMENSIONS ARE IN MILLIMETERS		DRAWN	JS
		TOLERANCES:		CHECKED	
		FRACTIONAL: ±		ENG APPR.	
		ANGULAR: MACH ± BEND ±		MFG APPR.	
		TWO PLACE DECIMAL ±		Q.A.	
		THREE PLACE DECIMAL ±		COMMENTS:	
		INTERPRET GEOMETRIC TOLERANCING PER:			
		MATERIAL ALUMINUM 7075/ CARBON			
NEXT ASSY	USED ON	FINISH ANODIZE PER MIL-A-8625			
APPLICATION		DO NOT SCALE DRAWING			
				TITLE: 40MM X 50MM FLAT RECT VAC PRELOAD AIR BEARING	
		SIZE	DWG. NO.	REV	
		B	OAVF40L50V		
		SCALE: 1:1	WEIGHT:	SHEET 1 OF 1	