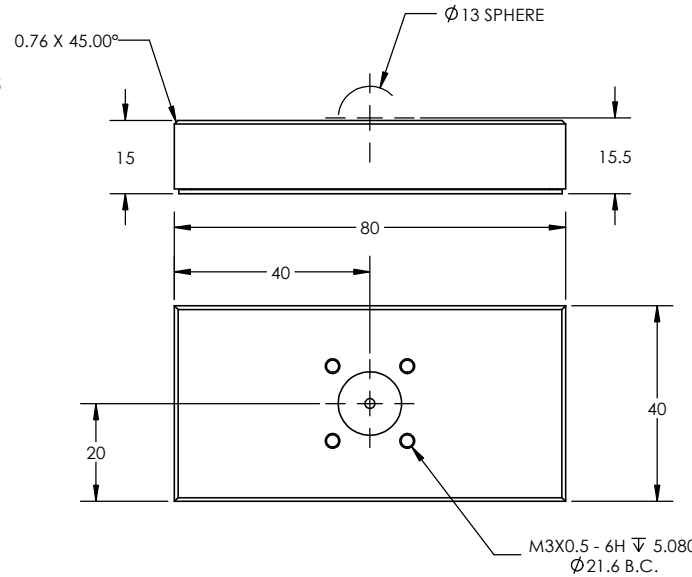
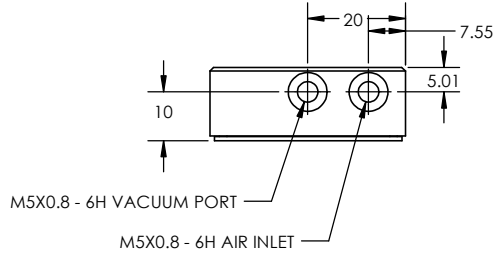
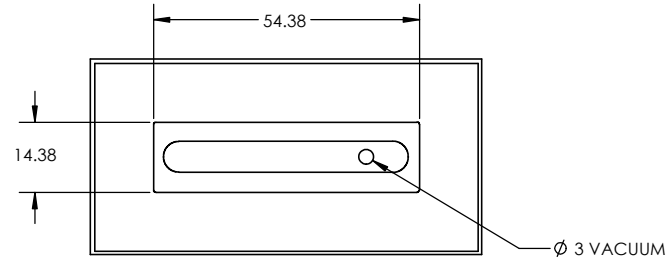
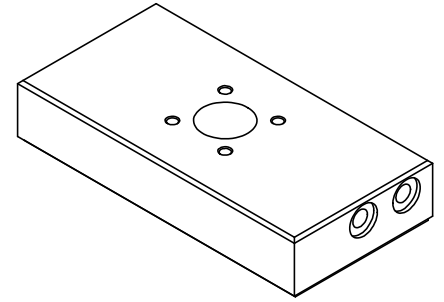


Title	Specification
Size	40mmx80mm
Part Number	OAVF40L80V
Input Pressure	0.27 to 0.68 MPa (40 to 100 PSI)
Input Vacuum	15 in Hg(50.8 kPa)
Ideal Load	463 N (104 lbs)
Stiffness	38.4 N/micron (0.22 lbs/μ in)
Hold Down Force @ 50.8kPa	66.75 N (15 lbs)
Flow	2.8 SCFH
Fly Height	5 microns
Bearing Size	40mm x 80mm
Bearing Height	15mm
Bearing Weight	104 grams
Housing Material/Finish	Aluminum/Anodized
Porous Media Material	Carbon
Flatness	0.0005 mm (0.00002 in)
Port Thread	M5 x 0.8



PROPRIETARY AND CONFIDENTIAL
 THE INFORMATION CONTAINED IN THIS DRAWING IS THE SOLE PROPERTY OF OAVCO LLC. ANY REPRODUCTION IN PART OR AS A WHOLE WITHOUT THE WRITTEN PERMISSION OF OAVCO LLC IS PROHIBITED.

		UNLESS OTHERWISE SPECIFIED:		NAME		DATE	
		DIMENSIONS ARE IN MILLIMETERS		DRAWN			
		TOLERANCES:		CHECKED			
		FRACTIONAL ±		ENG APPR.			
		ANGULAR: MACH ± BEND ±		MFG APPR.			
		TWO PLACE DECIMAL ±		Q.A.			
		THREE PLACE DECIMAL ±		COMMENTS:			
		INTERPRET GEOMETRIC TOLERANCING PER:					
		MATERIAL ALUMINUM 7075/ CARBON					
NEXT ASSY		USED ON					
APPLICATION		DO NOT SCALE DRAWING					
						TITLE: 40MM X 80MM FLAT RECT VAC PRELOAD AIR BEARING	
				SIZE B		DWG. NO. OAVF40L80V	
						REV	
				SCALE: 1:1		WEIGHT:	
						SHEET 1 OF 1	