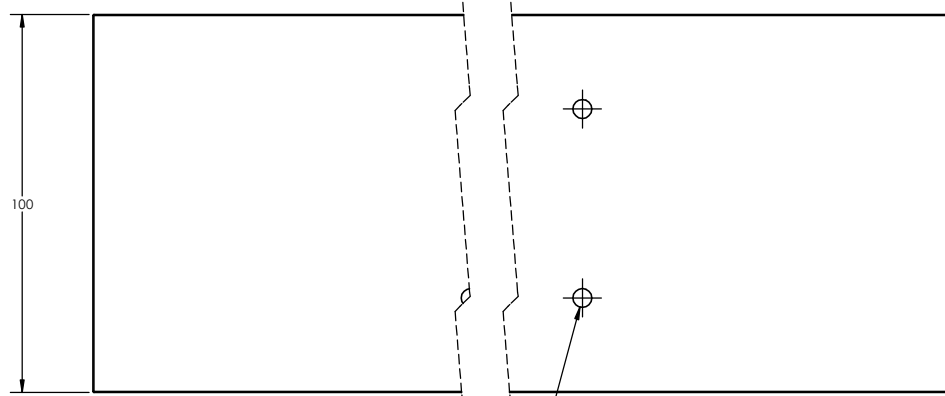
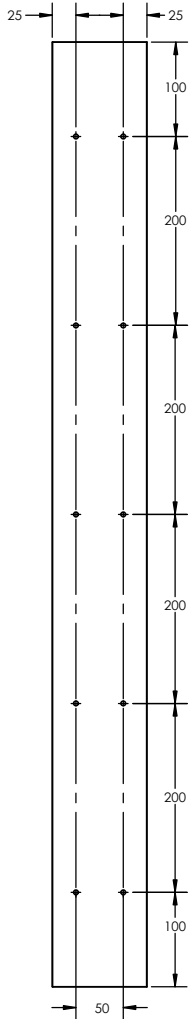
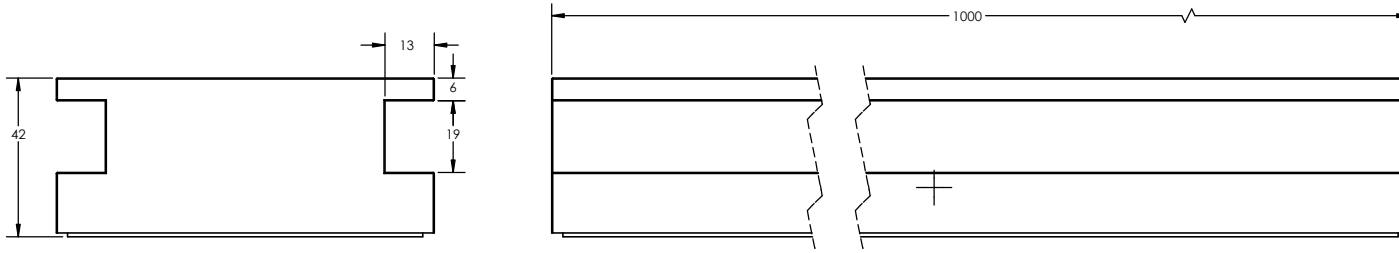
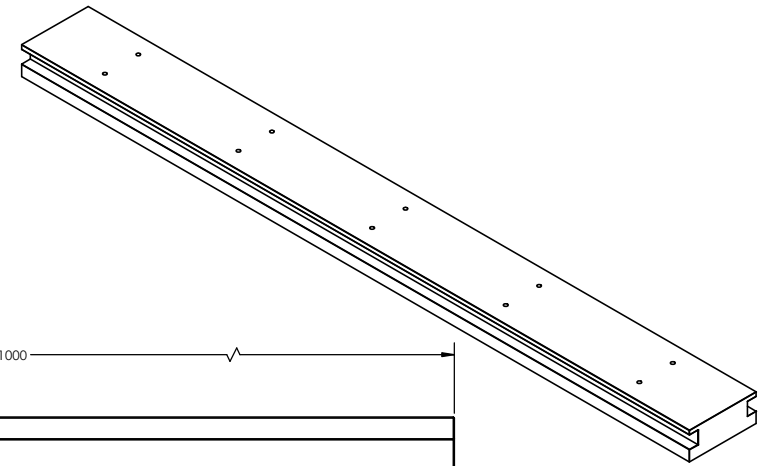


Title	Specification
Size	100mmx1000mm
Part Number	OAVF100L1000
Input Pressure	0.27 to 0.68 MPa (40 to 100 PSI)
Ideal Load	20697 N (4651 lbs)
Stiffness	2,037.10 N/ μ (11.63 lbs/ μ in)
Flow	2.8 SCFH
Fly Height	5 microns
Bearing Height	42mm
Flow	44.6SCFH
Housing Material/Finish	Aluminum/Anodized
Porous Media Material	Carbon
Flatness	0.0005 mm (0.00002 in)
Port Thread	M5 x 0.8



PROPRIETARY AND CONFIDENTIAL
 THE INFORMATION CONTAINED IN THIS DRAWING IS THE SOLE PROPERTY OF OAVCO LLC. ANY REPRODUCTION IN PART OR AS A WHOLE WITHOUT THE WRITTEN PERMISSION OF OAVCO LLC IS PROHIBITED.

UNLESS OTHERWISE SPECIFIED:		NAME	DATE
DRAWN			
CHECKED			
ENG APPR.			
MFG APPR.			
D.A.			
COMMENTS:			
FINISH	ANODIZE PER MIL-A-8625		
APPLICATION	DO NOT SCALE DRAWING		

TITLE: 100MM X 1000 MM FLAT RECTANGULAR AIR BEARING		
SIZE	DWG. NO.	REV
C	OAVF100L1000	
SCALE: 1:1	WEIGHT:	SHEET 1 OF 1