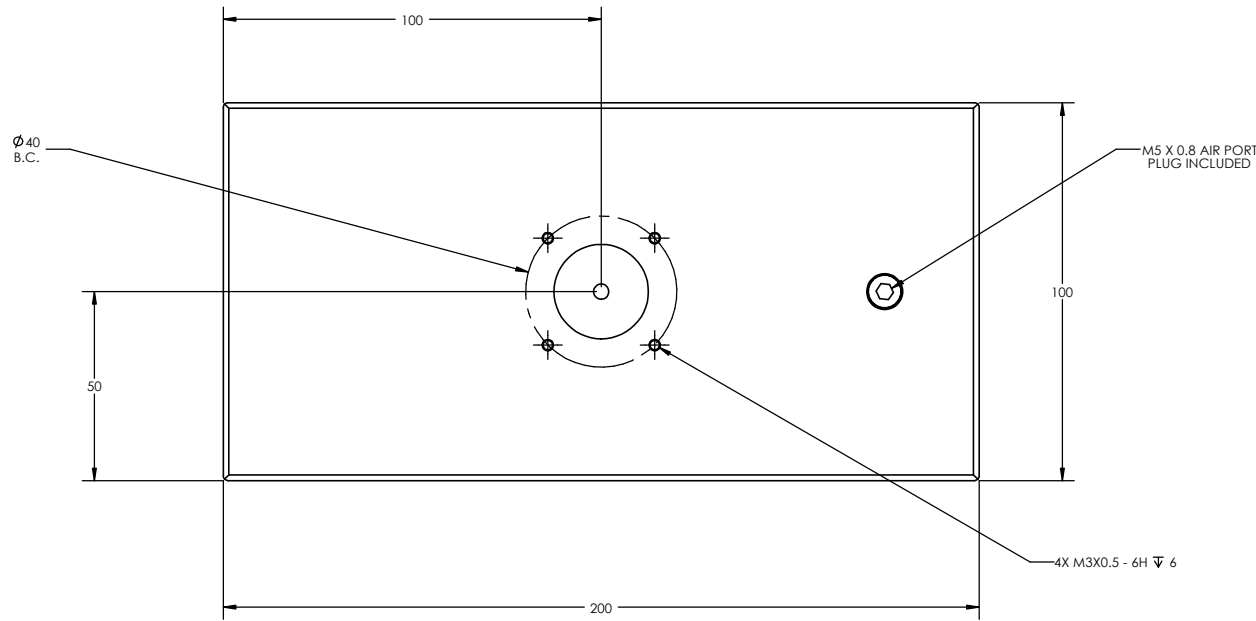
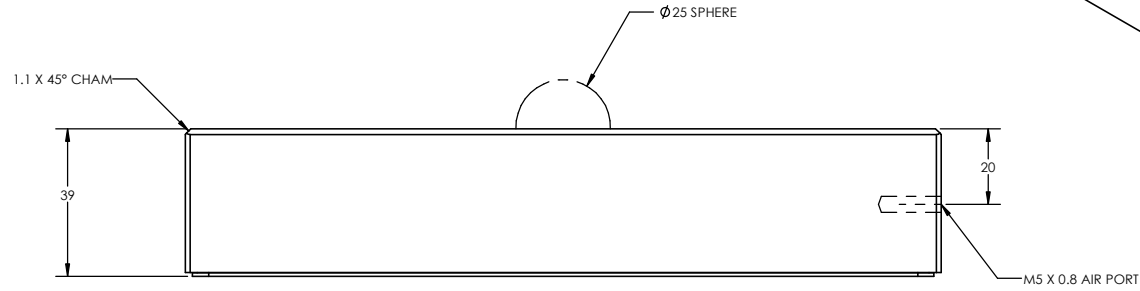
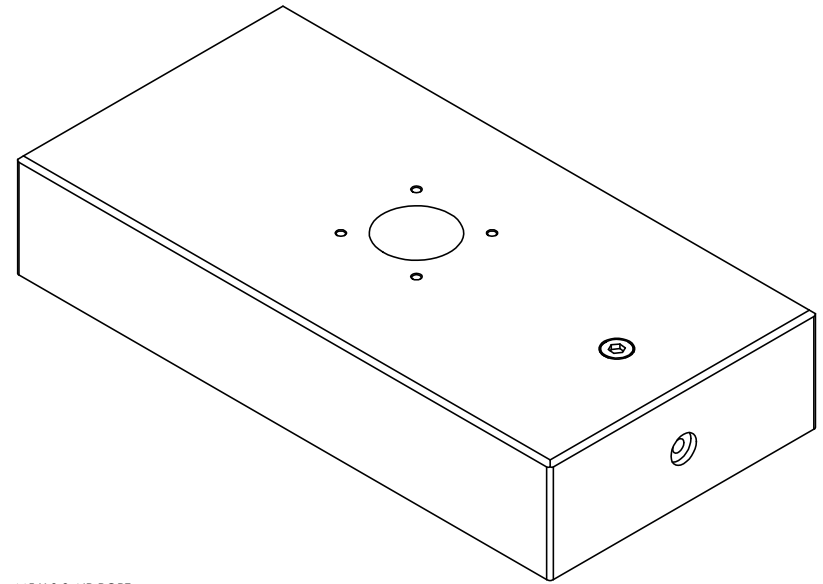


Title	Specification
Size	100mm x 200mm
Part Number	OAVF100L200
Input Pressure	0.27 to 0.68 MPa (40 to 100 PSI)
Ideal Load	5136 N (1154 lbs)
Stiffness	674 N/micron (3.82 lbs/μ in)
Flow	4.5 NLPM (9.6 SCFH)
Fly Height	5 microns
Bearing Size	100mm x 200mm
Bearing Height	39 mm
Bearing Weight	3625 grams
Housing Material/Finish	Aluminum/Anodized
Porous Media Material	Carbon
Flatness	0.0005 mm (0.00002 in)
Pressure Port Thread	M5 x 0.8



**PROPRIETARY AND CONFIDENTIAL**  
 THE INFORMATION CONTAINED IN THIS DRAWING IS THE SOLE PROPERTY OF OAVCO LLC. ANY REPRODUCTION IN PART OR AS A WHOLE WITHOUT THE WRITTEN PERMISSION OF OAVCO LLC IS PROHIBITED.

		UNLESS OTHERWISE SPECIFIED:	NAME	DATE
	DIMENSIONS ARE IN INCHES	DRAWN		
	FRACTIONAL ±	CHECKED		
	ANGULAR: MACH ± BEND ±	ENG APPR.		
	TWO PLACE DECIMAL ±	MFG APPR.		
	THREE PLACE DECIMAL ±	D.A.		
	INTERPRET GEOMETRIC TOLERANCING PER:	COMMENTS:		
	MATERIAL: ALUMINUM 7075/ CARBON			
	FINISH: ANODIZE PER MIL-A-8625			
NEXT ASSY	USED ON			
APPLICATION	DO NOT SCALE DRAWING			

TITLE: 100MM X 200 MM FLAT RECTANGULAR AIR BEARING		
SIZE	DWG. NO.	REV
C	OAVF100L200	
SCALE: 1:1	WEIGHT:	SHEET 1 OF 1