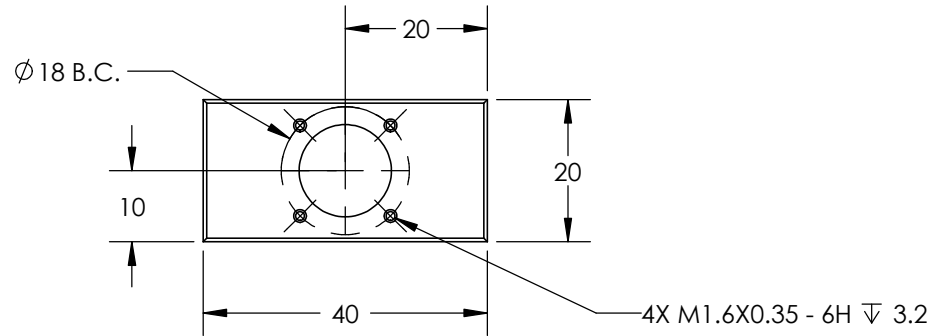
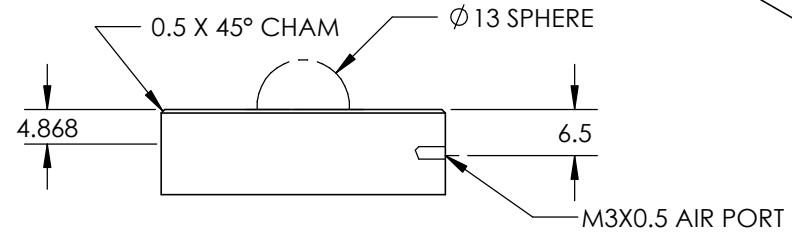
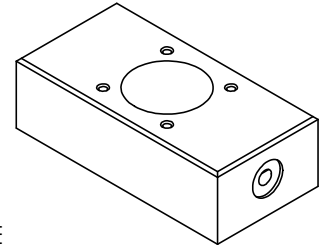


Title	Specification
Size	020mm x 040mm
Part Number	OAVF20L40
Input Pressure	0.27 to 0.68 MPa (40 to 100 PSI)
Ideal Load	161 N (36 lbs)
Stiffness	14 N/micron (0.08 lbs/μ in)
Flow	0.9 NLPM (2.0 SCFH)
Fly Height	5 microns
Bearing Size	20mm x 40mm
Bearing Height	13 mm
Bearing Weight	25 grams
Housing Material/Finish	Aluminum/Anodized
Porous Media Material	Carbon
Flatness	0.0005 mm (0.00002 in)
Pressure Port Thread	M3 x 0.5



UNLESS OTHERWISE SPECIFIED:
 DIMENSIONS ARE IN MILLIMETERS
 SURFACE FINISH:
 TOLERANCES:
 LINEAR:
 ANGULAR:

FINISH:

ANODIZE
 AS PER MIL-A-8625

DEBUR AND
 BREAK SHARP
 EDGES

DO NOT SCALE DRAWING

REVISION

	NAME	SIGNATURE	DATE		
DRAWN					
CHK'D					
APPV'D					
MFG					
Q.A					
				MATERIAL:	
				ALUMINUM 7075/CARBON	
				WEIGHT:	

TITLE:

20MM X 40MM
 FLAT RECTANGULAR
 AIR BEARING

DWG NO.

OAVF20L40

A4

SCALE:1:1

SHEET 1 OF 1

